



MARINE GASKETS

Inboard
Outboard
PWC





CUSTOM GASKETS



Cometic's custom gaskets can accommodate virtually any engine configuration from naturally aspirated, to the most exotic turbo and nitrous injected engines. Our commitment is to provide innovative, quality gaskets while maximizing your engine's power and performance. When customization is key, Cometic delivers!

Cometic has the ability to customize any gasket to meet your specific application. Need to change the bore size and/or thickness of a gasket? Or do you need a complete gasket design and execution? The process starts with a simple phone call. After Cometic's in-house Technical Sales Team understands your needs, they work directly with our design engineers to insure the gasket is drawn with state-of-the-art software and manufactured with the best materials possible with the most current and efficient manufacturing processes. If special tooling is required, we'll provide a pre-production estimate for approval. Your gasket is then made and shipped. The lead-time on bore and thickness changes is just three days. A complete gasket design takes just two weeks.



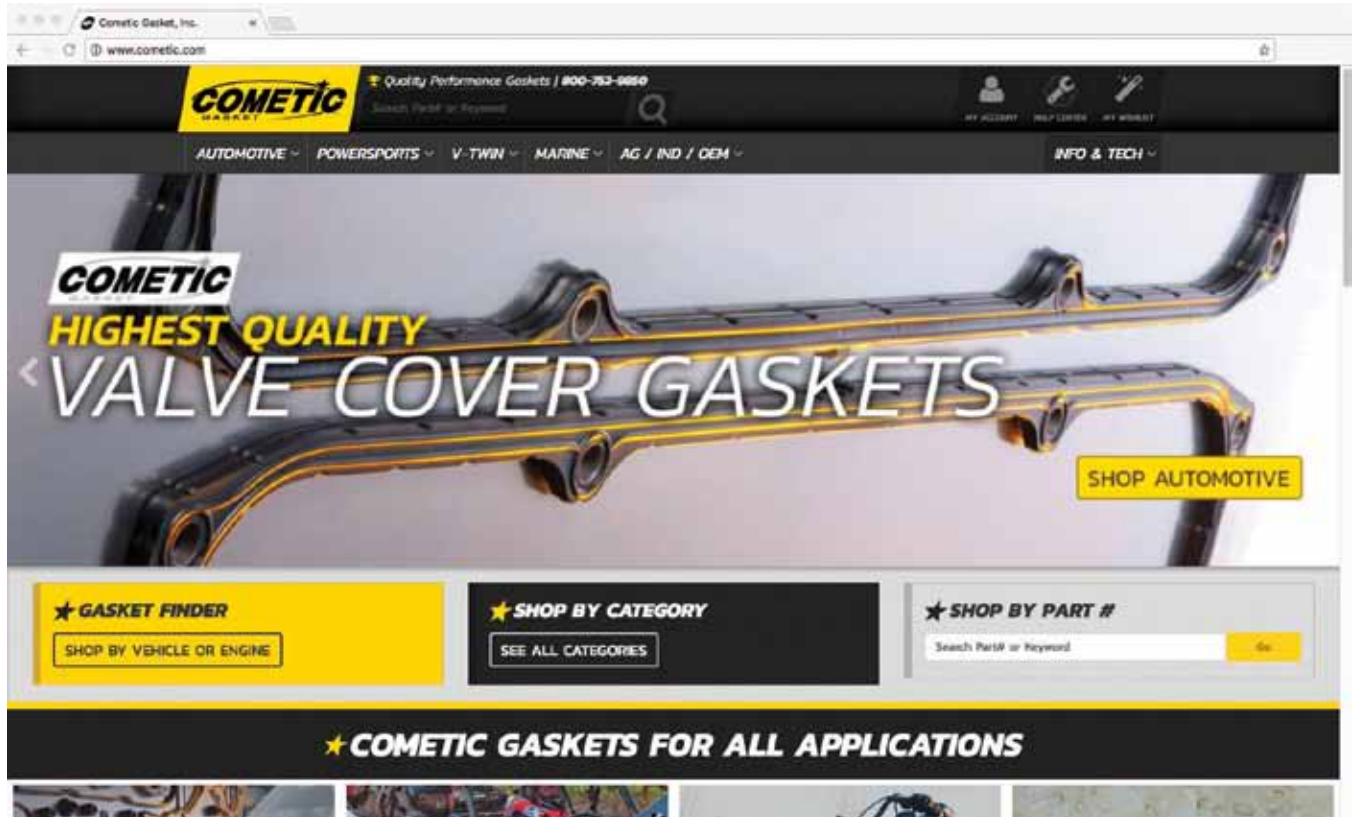
The passion for racing runs deep in our Technical Sales and Engineering Teams. We understand the importance of perfection in your next engine build because we are right there with you racing on weekends.

Call our Technical Sales Team (440) 354-0777

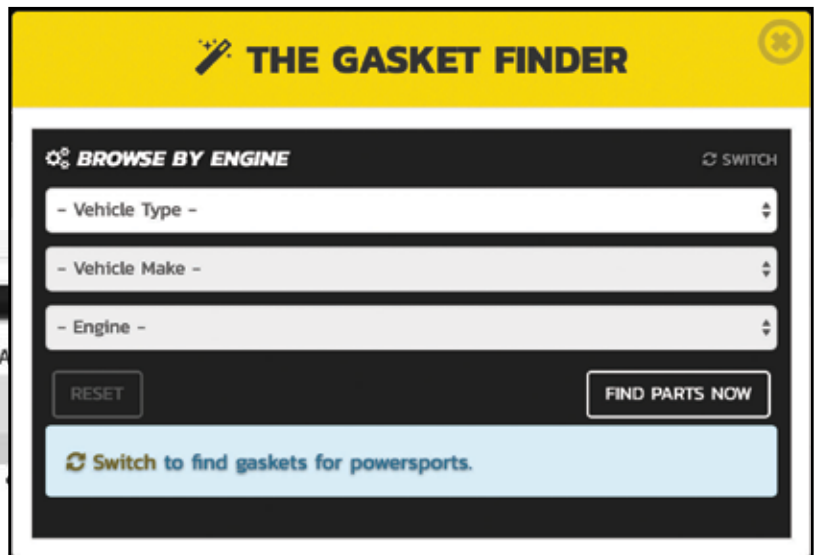
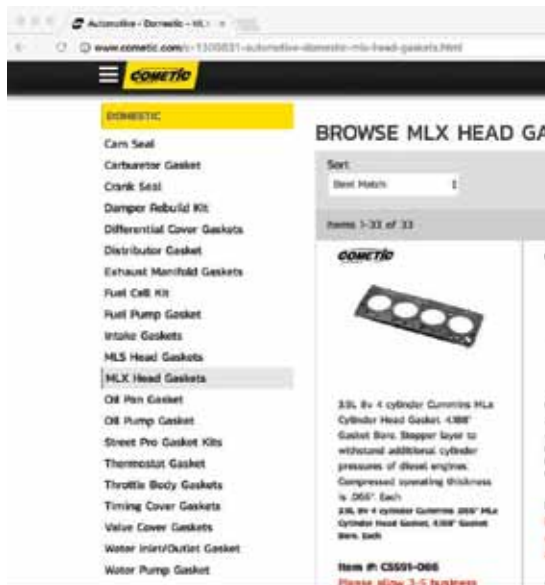
visit www.cometic.com for listing of gasket materials and available thicknesses



Visit the NEW cometic.com!



Try our gasket finder.





GASKET MATERIALS

MLS[®] Multi Layer Steel Gaskets

The Cometic MLS gasket is comprised of three to five layers of Stainless Steel. Cometic uses Stainless steel for increased strength, its ability to rebound and corrosion resistance. The outer layers of the gasket are embossed and coated on both sides with a Viton rubber material designed to meet the demands of a variety of harsh sealing environments, load conditions and surface finishes. The Viton coating is heat resistant to 250C or 482F.

The center or shim layer of the gasket is comprised of an uncoated Stainless Steel layer, which can be varied to accommodate multiple thickness requirements. The MLS gasket is ideal for any kind of head and block combination.

By design the MLS gasket promotes an even torque load across the sealing surface allowing for measurable reduced bore distortion.

AFM (Aluminum Foam Material)

AFM is a chemically blown, compounded nitrile synthetic rubber bonded to an aluminum core with temperature resistance of over 250F. AFM material has an 85% recovery while maintaining strong torque retention. AFM does not require gasket sealers or re-tightening.

Available thickness: .018", .032", .060"

Spring Steel

A stainless steel core with a .001" thick coating of viton rubber on both sides.

Available thickness: .010", .014", .020"

Aramid Fiber

Is a premium hi-temperature, hi-density creep resistant material that requires no re-torquing and is fuel resistant. All Cometic fiber materials are asbestos free and require no additional sealants.

Available thickness: .012", .015", .020", .031", .039", .047", .060", .094", .125", .188

Copper (Dead Soft)

Available thickness: .005", .010", .016", .020", .027", .032", .043", .050", .063", .080", .094"

Aluminum

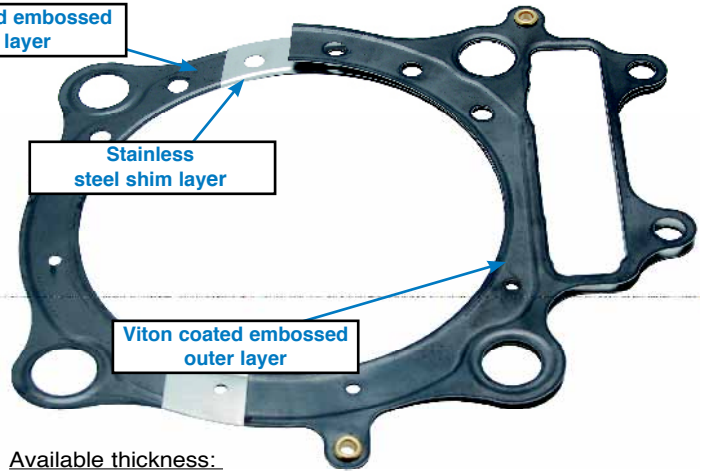
Solid material ideal for spacers and shims.

Available thickness: .010", .016", .020", .025", .032", .040", .050", .063", .080", .100", .125", .188", .250", .313", .375", .500"

Viton coated embossed outer layer

Stainless steel shim layer

Viton coated embossed outer layer



Available thickness:

.027", .030", .036", .040", .045", .051", .060", .066", .070", .075", .080", .086", .092", .098", 120"



3 Layer MLS Style Cross Section



The NASCAR Performance[®] logo and word mark are used under license by the National Association for Stock Car Auto Racing Inc.

Cometic Gasket - An Exclusive NASCAR Performance[®] Product

WARNING: Cancer and Reproductive Harm www.P65Warnings.ca.gov



Marine Gasket Part Number System

Prefix – Indicates Marine Division of COMETIC Gasket, Inc.
CG – This is the prefix for all COMETIC Marine part numbers

First Digit of the Core Part Number Identifies Product Type

- 1 – Head Gasket Related
- 2 – Exhaust Related
- 3 – Intake or Fuel Related
- 4 – Valve Train Related
- 5 – Timing Cover Related
- 6 – Oil Pan or Sump Related
- 7 – Drive or Lower Unit Related
- 8 – Cooling Related
- 9 – Miscellaneous

SUFFIX – Indicates multiple components under one part number

- T** – Top End Kit
- B** – Bottom End Kit
- H** – Contains Hardware
- E** – Exhaust Manifold Set
- R** – Riser Gaskets Included
- K** – Kit (Contains enough components to install)

NOTE: After the first digit code the remainder of the core number is a sequencing number.



CG - Identifies Marine Gasket

2- Identifies Product Type (Exhaust Gasket)

E - Identifies Multiple Gaskets (Exhaust Manifold Set)

Part # - CG20020E

Fits: Mercury/OMC/Volvo/Yamaha
GM 262/4.3L, V6
Replaces: 27-99757, 3853412,
YSC-12190-00AC

TABLE OF CONTENTS

INBOARD & STERN DRIVE Gaskets & Seals	Pg.#
Part Number Guide	3
MLS Exhaust Gaskets.....	4
MLS Head Gaskets	5-6
Marine Pro MLS Top End Kits	7-8
Marine Pro Bottom End Kits	8
Inboard & Sterndrive Exhaust Manifold Sets.....	9-10
Exhaust Manifold / Individual & Pairs.....	10-11
Exhaust Elbow.....	12
Exhaust End Cap	13
Intake & Fuel	12-14
Cooling	15-16
Valve Cover	16
Oil Pan & Sump.....	16-17
Timing Cover	17
Miscellaneous / Seals Gaskets & O-Rings.....	18-19
Drive & Lower Unit	19
Cross Reference Guide.....	20-23

OUTBOARD Gaskets & Seals	Pg.#
Chrysler/Force Outboard Gaskets & Seals	24
Johnson/Evinrude Outboard Gaskets & Seals	30
Mercury Outboard Gaskets & Seals.....	44
Nissan/Tohatsu Outboard Gaskets & Seals	61
Suzuki Outboard Gaskets & Seals	66
Yamaha Outboard Gaskets & Seals.....	68

PWC Gaskets & Seals	Pg.#
Kawasaki PWC Gaskets & Seals	78
Polaris PWC Gaskets & Seals	100
SeaDoo PWC Gaskets & Seals	114
Yamaha PWC Gaskets & Seals	135
Misc. PWC Gaskets & Seals.....	158

LUBRICANTS	Pg.#
KLOTZ Lubricants	164






Cometic Gasket - An Exclusive NASCAR Performance Product




MLS MARINE Exhaust Manifold Gaskets

- Made from 301 grade stainless steel
- Designed for extreme cylinder pressures
- Maintains a torque set
- Resists corrosion, will not burn through or push out
- No sealants are required
- Withstands different combinations of cylinder head and manifold materials





CHRYSLER

	Application 318, 340 & 360, V8.....	Material MLS .030"	Pkg Qty 2	Part # CG20005E
			1	CG200055
	Application 361, 383, 400, 413, 426 & 440, V8	Material MLS .030"	Pkg Qty 2	Part # CG20006E
			1	CG200056
	Application Illmor/Chrysler 8.3L V10 Viper	Material MLS .030"	Pkg Qty 2	Part # CG20009E
			1	CG200062



FORD

	Application 289, 302 & 351, V8.....	Material MLS .030"	Pkg Qty 2	Part # CG20003E
			1	CG200053
	Application Mercury 3.7L 4 Cyl. 429 & 460, V8	Material MLS .030"	Pkg Qty 2	Part # CG20004E
			1	CG200054
	Application Indmar/Ford 6.2L..... V8 Raptor	Material MLS .030"	Pkg Qty 2	Part # CG20008E
			1	CG200058

GM

	Application 262/4.3L V6	Material MLS .030"	Pkg Qty 2	Part # CG20012E
			1	CG200059
	Application Small Block 305, 350/ 5.0L, 5.7L, V8	Material MLS .030"	Pkg Qty 2	Part # CG20001E
			1	CG200051
	Application Big Block 454, 502 / 7.4L, 8.2L, V8	Material MLS .030"	Pkg Qty 2	Part # CG20002E
			1	CG200052
	Application Crusader / PCM..... LS Series 6.0L, V8	Material MLS .030"	Pkg Qty 2	Part # CG20007E
			1	CG200057

MERCURY RACING

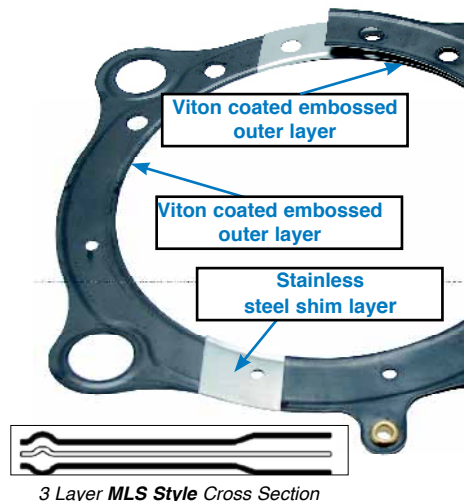
	Application Big Block 525 EFI, 600/662/700 SCi Series, V8	Material MLS .030"	Pkg Qty 2	Part # CG20010E
			1	CG200060
	Application Big Block 850/1025/ 1075/1200 SCi Series, V8	Material MLS .030"	Pkg Qty 2	Part # CG20011E
			1	CG200061



Cometic Gasket - An Exclusive NASCAR Performance Product

MLS MARINE Head Gaskets

- Comprised of multiple embossed layers of both AMP (Advanced Multi-Polymer Coating) and uncoated stainless steel.
- No sealants or re-torque required.
- Requires less clamp load creating less bore distortion and conforms load distribution across the sealing area.



CHRYSLER

	Application	Material	Pkg Qty	Part #
	Chrysler 318/5.2L V8	MLS .040	1	CG10020

	Application	Material	Pkg Qty	Part #
	Chrysler 340/5.6L & 360/5.9L V8	MLS .040	1	CG10021

	Application	Material	Pkg Qty	Part #
	Chrysler 440/7.2L V8	MLS .040	1	CG10023

FORD

	Application	Material	Pkg Qty	Part #
	Ford 302/5.0L & 351/5.8L V8	MLS .040	1	CG10024

	Application	Material	Pkg Qty	Part #
	Ford 460/7.5L V8 & Mercury 3.7L 4-Cyl.	MLS .040	1	CG10026

GM

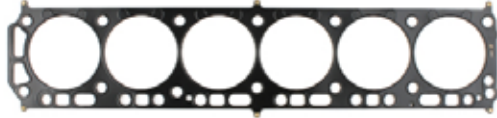
	Application	Material	Pkg Qty	Part #
	GM 181/3.0L 4-Cyl.	MLS .045	1	CG10027



Cometic Gasket - An Exclusive NASCAR Performance Product

MLS MARINE Head Gaskets

GM



Application	Material	Pkg Qty	Part #
GM 250/292 L6	MLS .040	1	CG10025



Application	Material	Pkg Qty	Part #
GM 262/4.3L V6	MLS .040	1	CG10028



Application	Material	Pkg Qty	Part #
GM 305/5.0L V8	MLS .040	1	CG10029



Application	Material	Pkg Qty	Part #
GM 350/5.7L V8	MLS .040	1	CG10030



Application	Material	Pkg Qty	Part #
GM 454/7.4L, Mark IV V8	MLS .040	1	CG10031



Application	Material	Pkg Qty	Part #
GM 454/7.4L V8, Gen V/VI V8	MLS .040	1	CG10032



Application	Material	Pkg Qty	Part #
GM 502/8.2L V8, Gen V/VI V8	MLS .040	1	CG10033



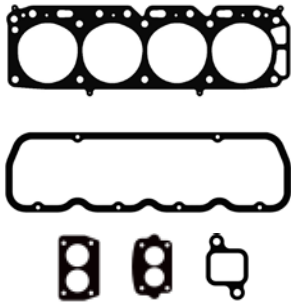
Application	Material	Pkg Qty	Part #
Crusader/PCM GM 6.0L V8 (LS)	MLS .051	1	CG10034



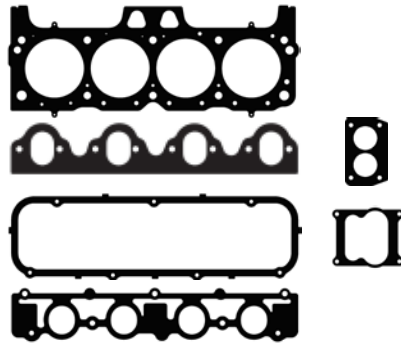
Cometic Gasket - An Exclusive NASCAR Performance Product

MARINE Pro MLS Top End Kits

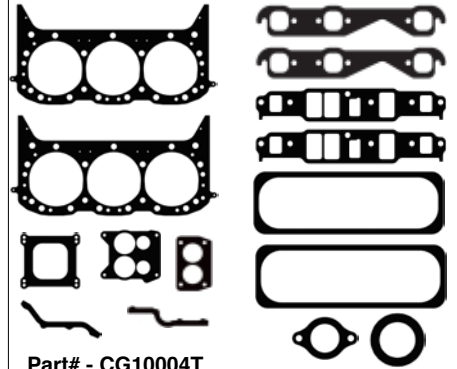
All Top End Gasket Kits are supplied with MLS Head Gaskets



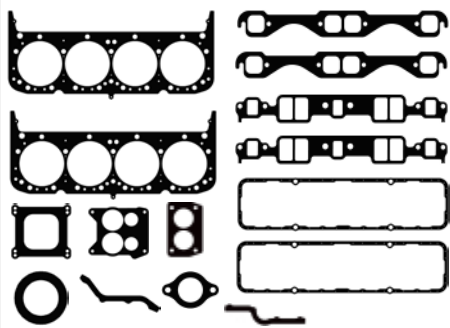
Part# - CG10001T
Fits: GM 3.0L '65-'98



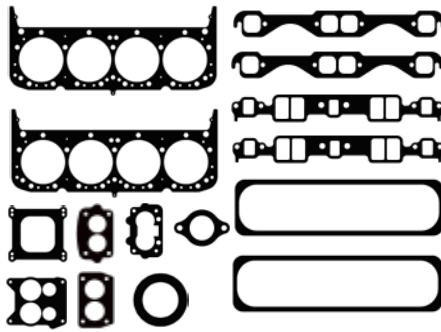
Part# - CG10002T
Fits: Mercruiser 3.7L / 470 L4



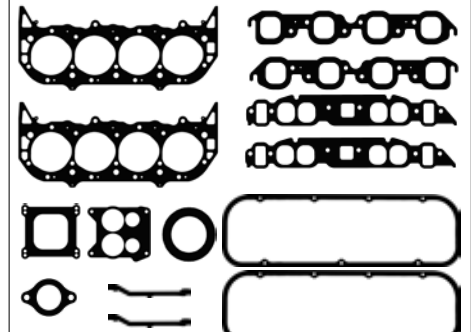
Part# - CG10004T
Fits: GM 4.3L V6 '86-'95



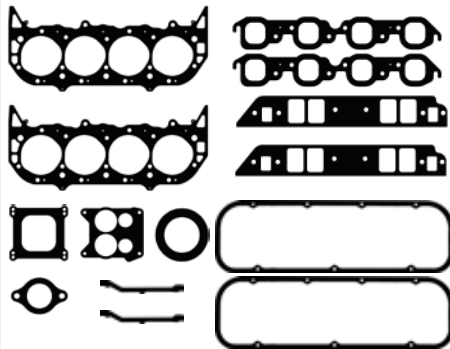
Part# - CG10005T
Fits: GM 5.0L/305 & 5.7L/350 V8 thru '85



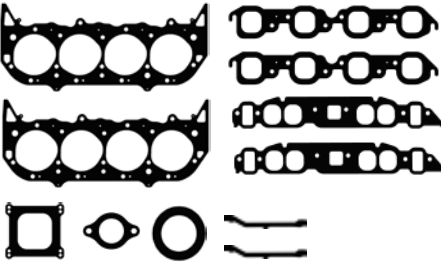
Part# - CG10006T
Fits: GM 5.0L/305 & 5.7L/350 V8 thru '86-'95



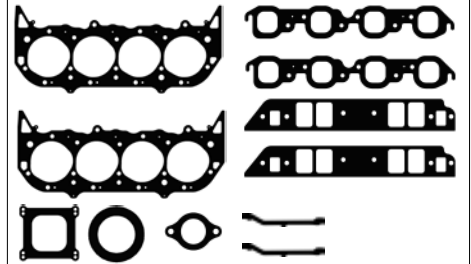
Part# - CG10007T
Fits: GM 7.4L/454 Gen 4 Oval Port Intake



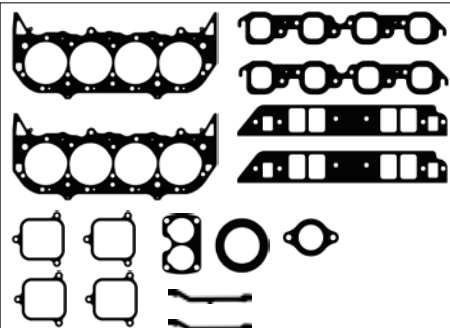
Part# - CG10008T
Fits: GM 7.4L/454 Gen 4 Rect Port Intake



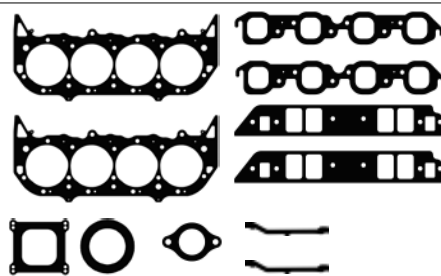
Part# - CG10009T
Fits: GM 7.4L/454 Gen 5/6 Oval Port Intake



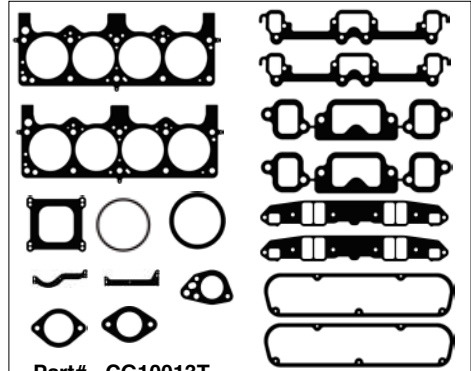
Part# - CG10010T
Fits: GM 7.4L/454 Gen 5/6 Rect Port Intake



Part# - CG10011T
Fits: GM 8.2L/502 Gen 5/6 MPI



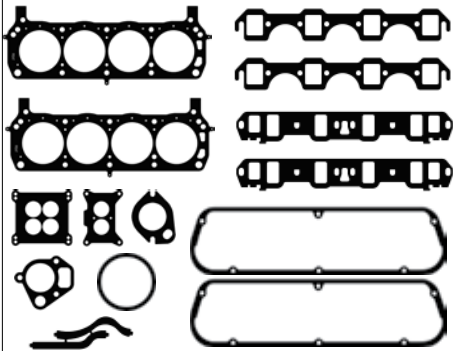
Part# - CG10012T
Fits: GM 8.2L/502 Gen 5/6 Carb



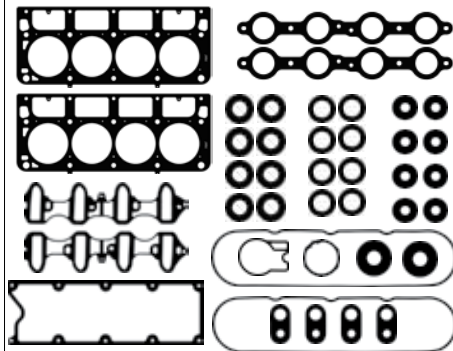
Part# - CG10013T
Fits: Chrysler 318/340/360 "LA" '64 & Up

MARINE Pro MLS Top End Kits

All Top End Gasket Kits are supplied with MLS Head Gaskets

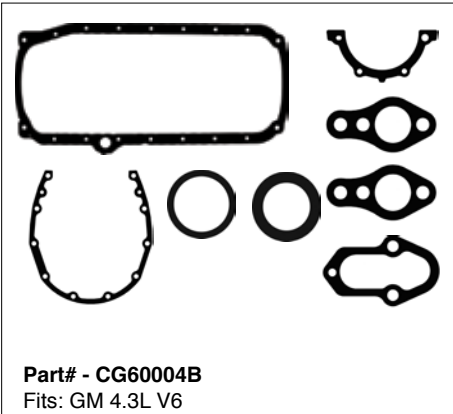


Part# - CG10014T
Fits: Ford 5.0L/302 & 5.8L/351W '77-'93

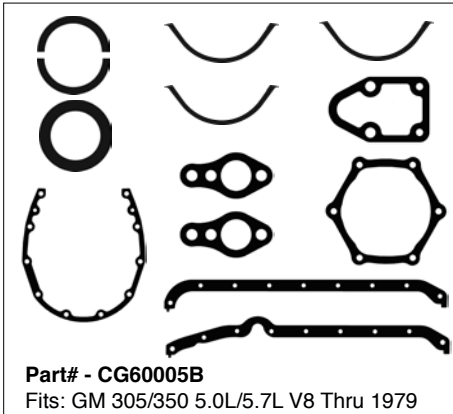


Part# - CG10015T
Fits: PCM/Crusader GM 6.0L

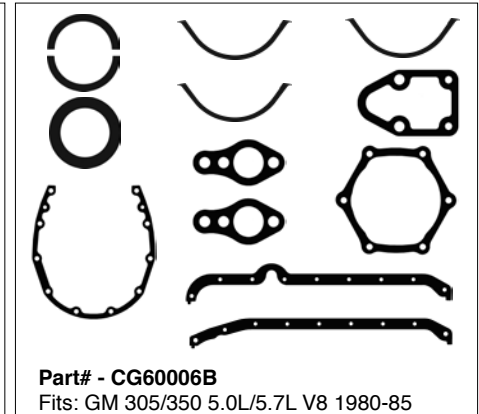
MARINE Pro Bottom End Kits



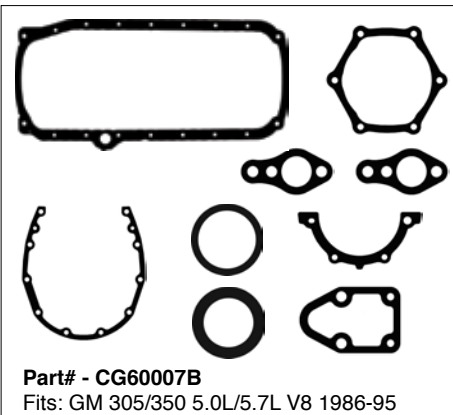
Part# - CG60004B
Fits: GM 4.3L V6



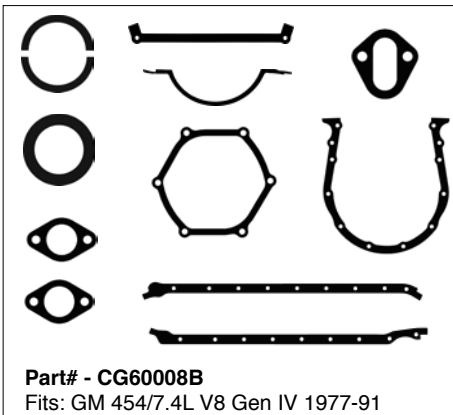
Part# - CG60005B
Fits: GM 305/350 5.0L/5.7L V8 Thru 1979



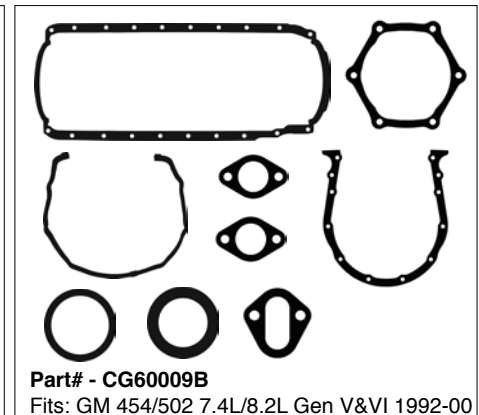
Part# - CG60006B
Fits: GM 305/350 5.0L/5.7L V8 1980-85



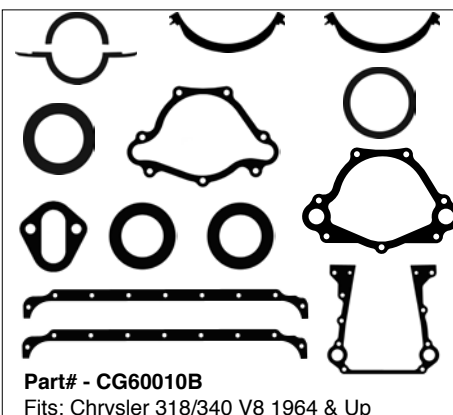
Part# - CG60007B
Fits: GM 305/350 5.0L/5.7L V8 1986-95



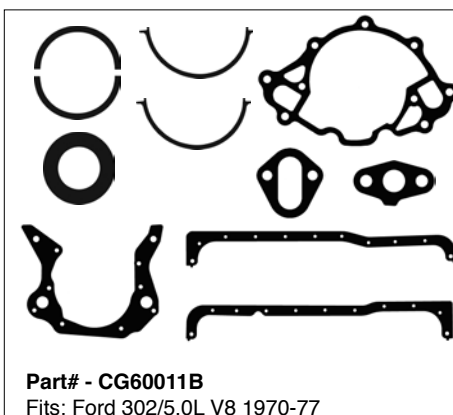
Part# - CG60008B
Fits: GM 454/7.4L V8 Gen IV 1977-91



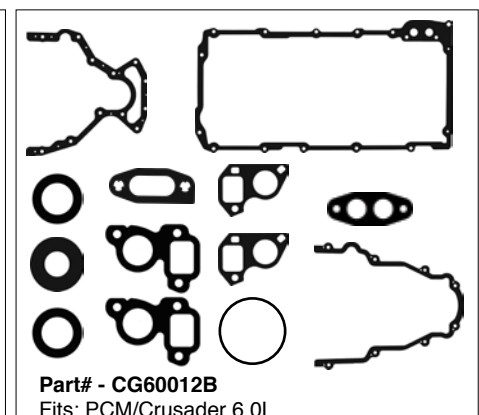
Part# - CG60009B
Fits: GM 454/502 7.4L/8.2L Gen V&VI 1992-00



Part# - CG60010B
Fits: Chrysler 318/340 V8 1964 & Up

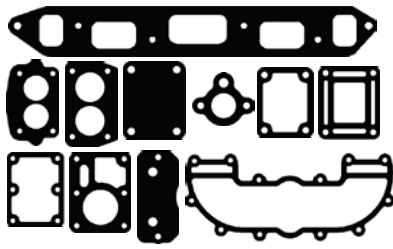


Part# - CG60011B
Fits: Ford 302/5.0L V8 1970-77

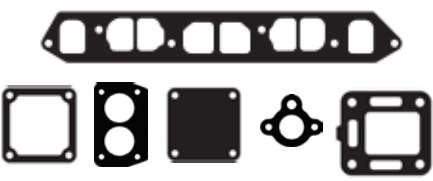


Part# - CG60012B
Fits: PCM/Crusader 6.0L

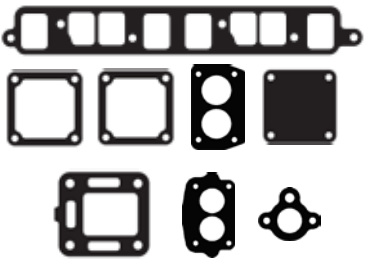
INBOARD & STERNDRIVE Exhaust Manifold Gasket Sets




Part# - CG20001ER
Exhaust Manifold Gasket Set
 Fits: Mercruiser 2.5L 110/120HP 1982 & Older
 Replaces: 27-35898A1



Part# - CG20002ER
Exhaust Manifold Gasket Set
 Fits: Mercruiser 2.5/3.0L 1983-95 (non-LX)
 Replaces: 27-99777A1



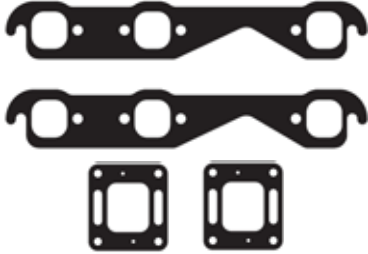
Part# - CG20003ER
Exhaust Manifold Gasket Set
 Fits: Mercruiser 3.0L/140 wo/Siamese Ports
 Replaces: 27-53354A1



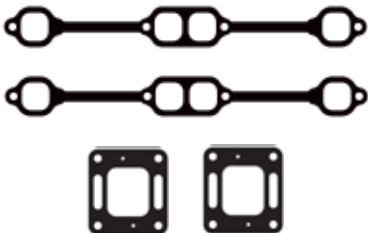
Part# - CG20016ER
Exhaust Manifold Gasket Set
 Fits: Mercruiser L4 - 3.7L/LX, 170, 470, 485, 488R, 165 & 190



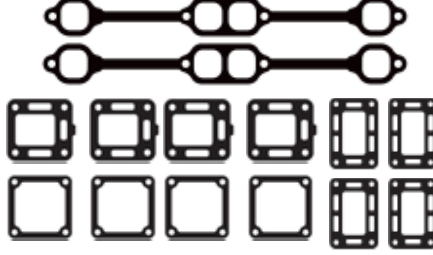
Part# - CG20004ER
Exhaust Manifold Gasket Set
 Fits: Mercruiser 160/165 L6
 Replaces: 27-46401A1



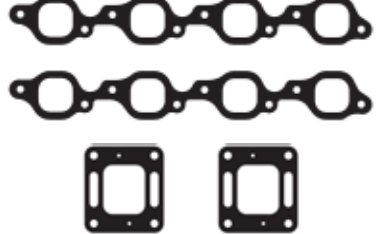
Part# - CG20005ER
Exhaust Manifold Gasket Set
 Fits: Mercruiser 4.3L/262 V6 w/Center Risers



Part# - CG20006ER
Exhaust Manifold Gasket Set
 Fits: Mercruiser 5.0L/5.7L V8 w/Center Risers



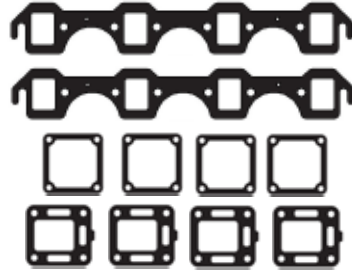
Part# - CG20007ER
Exhaust Manifold Gasket Set
 Fits: Mercruiser GM SB w/Log Style Manifolds



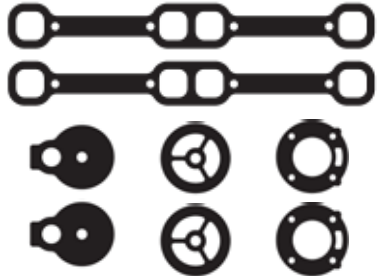
Part# - CG20008ER
Exhaust Manifold Gasket Set
 Fits: Mercruiser 454/502 w/Center Risers



Part# - CG20009ER
Exhaust Manifold Gasket Set
 Fits: Mercruiser GM 454/7.4L w/Log Style Manifolds

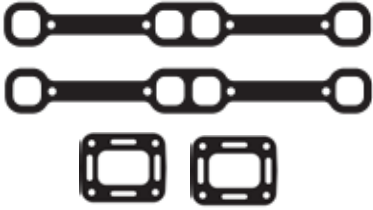


Part# - CG20010ER
Exhaust Manifold Gasket Set
 Fits: Mercruiser 888, 233 & 255 Ford 5.0L & 5.8L

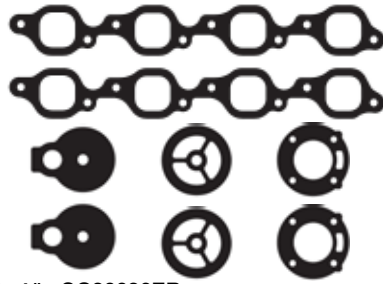


Part# - CG20025ER
Exhaust Manifold Gasket Set
 Fits: Crusader GM SB w/Early Log Style Manifolds

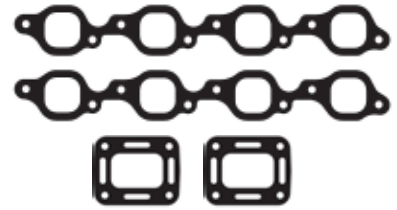
INBOARD & STERNDRIVE Exhaust Manifold Sets



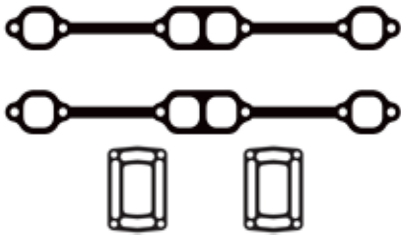
Part# - CG20028ER
Exhaust Manifold Gasket Set
 Fits: Crusader GM SB w/Center Risers



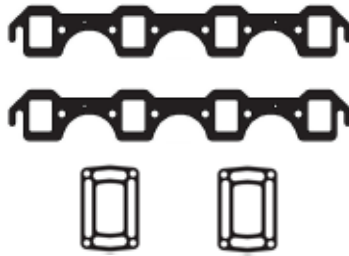
Part# - CG20026ER
Exhaust Manifold Gasket Set
 Fits: Crusader BB w/Early Log Style Manifolds



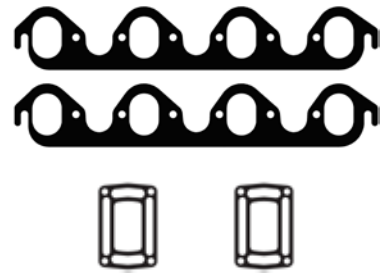
Part# - CG20027ER
Exhaust Manifold Gasket Set
 Fits: Crusader GM BB w/Center Risers



Part # - CG20013ER
Exhaust Manifold Gasket Set
 Fits: OMC GM 305/350 w/Log & Center Risers



Part# - CG20014ER
Exhaust Manifold Gasket Set
 Fits: OMC Ford 302/351



Part# - CG20015ER
Exhaust Manifold Gasket Set
 Fits: OMC Ford 460/7.5L

Exhaust Manifold

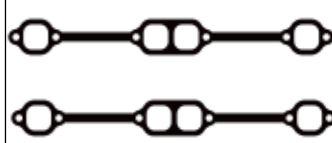
Pairs & Individual



Part # - CG20020E
 Fits: Mercury/OMC/Volvo/Yamaha GM 262/4.3L, V6
 Replaces: 27-99757, 3853412, YSC-12190-00AC



Part # - CG20021E
 Fits: Mercury/GM SB 5.0/5.7L, V8
 Replaces: 27-33395



Part # - CG20026E
 Fits: PCM/OMC/GM SB 5.0/5.7L, V8
 Replaces: RM0287



Part # - CG20027E
 Fits: Crusader/GM SB 5.0/5.7L, V8
 Replaces: 96306



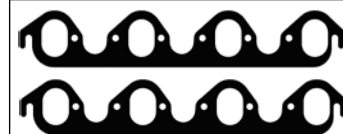
Part # - CG20022E
 Fits: Mercury GM 454/502, 7.4/8.2L, V8
 Replaces: 27-46820, 3852472, 96653, YSC-22190-00-OC



Part # - CG20023E
 Fits: PCM 6.0L LS, V8
 Replaces: RM0276A



Part # - CG20024E
 Fits: Mercury/OMC/Volvo/PCM/ Ford 302/351W, V8
 Replaces: 27-73866, 3852455, 908717, RM0007



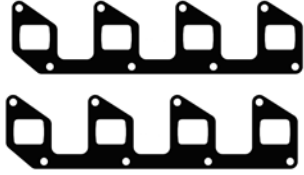
Part # - CG20025E
 Fits: Mercury 224/3.7L, L4 & Ford 460/7.5L, V8
 Replaces: 27-68715, 912405, 118-614




Cometic Gasket - An Exclusive NASCAR Performance Product

Exhaust Manifold


Pairs & Individual




Part # - CG20028E
Fits: Indmar/Ford 6.2L Raptor V8




Part # - CG20006
Fits: Mercury/OMC/GM, 110/120/2.5L, L4
Replaces: 27-52546, 311068




Part # - CG20001
Fits: Mercury/OMC/Volvo/Yamaha GM 2.5/3.0L, L4 (non-LX)
Replaces: 27-96429, 912164, YSG-12517-94-3G




Part # - CG20007
Fits: Mercury/OMC 3.0L, L4
Replaces: 27-53354, 908079




Part # - CG20048
Fits: Mercury/Volvo/GM 3.0L "HO" (Small Port)
Replaces: 27-815528, 3853256




Part # - CG20003
Fits: Mercury 224/3.7L, L4 & Ford 460/7.5L, V8
Replaces: 27-68715, 912405, 118-614




Part # - CG20008
Fits: Mercury 160/165, L6
Replaces: 27-46401A1




Part # - CG20004
Fits: Mercury/OMC/Volvo/Yamaha GM 262/4.3L, V6
Replaces: 27-99757, 3853412, YSC-12190-00AC




Part # - CG20005
Fits: Mercury/GM SB 5.0/5.7L, V8
Replaces: 27-33395




Part # - CG20016
Fits: OMC/Crusader/GM 230, 250,292, L6
Replaces: 907932




Part # - CG20017
Fits: PCM/OMC/GM SB 5.0/5.7L, V8
Replaces: RM0287




Part # - CG20013
Fits: Crusader/GM SB 5.0/5.7L, V8
Replaces: 27-46820, 3852472, 96653, YSC-22190-00-OC




Part # - CG20009
Fits: Mercury GM 454/502, 7.4/8.2L, V8
Replaces: 27-46820, 3852472, 96653, YSC-22190-00-OC




Part # - CG20002
Fits: Mercury/OMC/Volvo/PCM/ Ford 302/351W, V8
Replaces: 27-73866, 3852455, 908717, RM0007



Part # - CG20012
Fits: PCM 6.0L LS, V8
Replaces: RM0276A



Part # - CG20010
Fits: Chrysler 318-360 V8
Replaces: 2585516



Part # - CG20049
Fits: Indmar/Ford 6.2L Raptor



Part # - CG20011
Fits: Chrysler 382/440 V8



Exhaust Elbow



Part # - CG20018
 Fits: Mercury 4.3/5.0/5.7/6.2L w/
 Dry Joint Manifold
 Replaces: 27-864549A02,
 27-864547A02, 27-864850A02



Part # - CG20020
 Fits: Mercury GM
 305/307/327/350/454, V8 w/Early
 Log style Manifolds
 Replaces: 27-48042



Part # - CG20021
 Fits: Mercury 224/3.7L L4 w/Cast
 Iron Exhaust Manifold
 Replaces: 27-97542, 27-856705



Part # - CG20022
 Fits: Mercury GM V6 & V8
 w/Center Riser (non-dry joint)
 Replaces: 27-863724, 27-41813



Part # - CG20023
 Fits: Mercury GM 3.0L, L4 / 250,
 L6 & GM/Ford V8 w/Log Style
 Manifolds
 Replaces: 27-997772



Part # - CG20024
 Fits: Mercury V6 & V8 Center Riser
 (full flow)
 Replaces: 27-87105-1, 27-818832,
 27-863726



Part # - CG20025
 Fits: Mercury V6 & V8 Center Riser
 w/Closed Cooling
 Replaces: 27-860231, 27-8637251



Part # - CG20027
 Fits: Mercury 110/120 L4
 Replaces: 27-39915



Part # - CG20034
 Fits: PCM GM 5.0/5.7L w/Center
 Riser
 Replaces: RM0002



Part # - CG20070
 Fits: Chrysler 318-360 V8
 Replaces: 2847480



Part # - CG20071
 Fits: Chrysler 383/440, V8, w/
 Closed Cooling (except 413"E")
 Replaces: 17554



Part # - CG20072
 Fits: Chrysler 383/440, V8, w/Open
 Cooling (except 413"E")
 Replaces: 17554



Part # - CG20028
 Fits: Mercury 224/3.7L L4
 w/Aluminum Exhaust Manifold
 Replaces: 27-18272



Part # - CG20029
 Fits: OMC/Volvo, Many GM & Ford
 Applications
 Replaces: 3850496, 909786



Part # - CG20030
 Fits: Crusader GM V8
 w/Center Riser
 Replaces: 98214



Part # - CG20031
 Fits: Crusader GM BB CH350 &
 454XL / GM SB 220 & 270 Early
 Models
 Replaces: 96108



Part # - CG20032
 Fits: Crusader GM BB CH350 &
 454XL / GM SB 220 & 270 Early
 Models
 Replaces: 96562











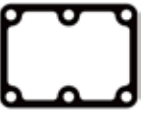



Part # - CG20075
 Fits: Indmar w/V-Clamp Flange







Part # - CG20026
 Fits: PCM GM 454
 Replaces: RM0099


Exhaust Manifold End Cap

			
<p>Part # - CG20035 Fits: OMC V8 w/End Risers (full flow) Replaces: 311131</p>	<p>Part # - CG20037 Fits: OMC V8 w/End Risers (restricted) Replaces: 908935</p>	<p>Part # - CG20036 Fits: OMC V8 Early Log Style Replaces: 907775</p>	<p>Part # - CG20038 Fits: OMC GM L4, 2.5/3.0L Replaces: 311121</p>
			
<p>Part # - CG20019 Fits: OMC/Volvo 3.0L Replaces: 3850495, 908013</p>	<p>Part # - CG20039 Fits: OMC GM L4, 2.5/3.0L Replaces: 907761</p>	<p>Part # - CG20040 Fits: Mercury GM 120/140 Early Models (open) Replaces: 27-39923</p>	<p>Part # - CG20041 Fits: Mercury GM 120/140 Early Models (closed) Replaces: 27-73812</p>
			
<p>Part # - CG20042 Fits: Mercury GM 120/140 Later Models (closed) Replaces: 27-73814</p>	<p>Part # - CG20043 Fits: Mercury GM 120/140 Later Models (open) Replaces: 27-480431</p>	<p>Part # - CG20044 Fits: Mercury GM 120/140 Early Models, 6-Hole Replaces: 27-39917</p>	<p>Part # - CG20050 Fits: Mercury 110/120 w/stove pipe Replaces: 27-39947</p>

Intake & Fuel

			
<p>Part # - CG30001 Fits: Mercury GM 110/120 L4 (early) Replaces: 27-35898</p>	<p>Part # - CG30008 Fits: Mercury Mercarb 2bb Replaces: 27-8079821</p>	<p>Part # - CG30009 Fits: Mercury Rochester 2bb Replaces: 27-64692</p>	<p>Part # - CG30010 Fits: OMC/Volvo Rochester 2bb (open) Replaces: 315055</p>

Intake & Fuel



Part # - CG30011
Fits: Mercury Holley/Weber 4bb (open)
Replaces: 27-41610



Part # - CG30012
Fits: Mercury Holley 4bb
Replaces: 27-65577



Part # - CG30013
Fits: Mercury Holley 2bb, w/Bleed Holes
Replaces: 27-60715




Part # - CG30014
Fits: Rochester Q-Jet 4bb (open)
Replaces: 27-524572



Part # - CG30015
Fits: Rochester Q-Jet 4bb (4 hole)
Replaces: 27-48399




Part # - CG30043 AFM
Fits: GM V8/Ford SB V8/Chrysler SB V8 (2 Hole)
Replaces: 27-34213, 3852095, 91340



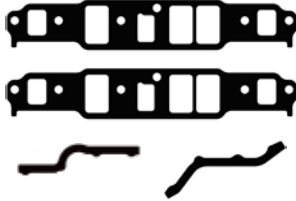
Part # - CG30044 AFM
Fits: GM SB V8 (4 Hole)
Replaces: 27-34898




Part # - CG30045
Fits: GM V6 4.3L
Replaces: 27-42457, 910102




Part # - CG30003
Fits: Mercury L4 3.7L/470, OMC Ford V8 460
Replaces: 27-70905, 912405



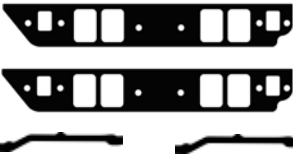
Part # - CG30001K
Fits: GM 4.3L V6
Replaces: 27-11977, 912978



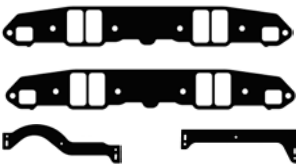
Part # - CG30002K
Fits: GM 5.7L/5.0L V8 (non-Vortec)
Replaces: 27-17145, 3854269




Part # - CG30003K
Fits: GM 454/502 w/Oval Port
Replaces: 27-8M0050224



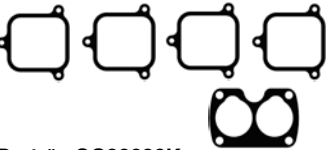
Part # - CG30004K
Fits: GM 454/502 w/Rect. Port
Replaces: 27-818188 1



Part # - CG30005K
Fits: Chrysler 318-360
Replaces: 2808654



Part # - CG30006K
Fits: Ford 302/351W
Replaces: 27-75648




Part # - CG30020K AFM
Fits: Mercury 454/502 Mag MPI (Gen V & VI)
Replaces: 27-805522A1



Part # - CG30023K
Fits: Mercarb / TKS Carburetors
Replaces: 3310-810929004



Cooling



Part # - CG80021
Part # - CG80077 (AFM)
 Fits: Mercury L4 & L6
 Replaces: 27-475901



Part # - CG80022
 Fits: Mercury 120 L4 (6-hole)
 Replaces: 27-39914




Part # - CG80001
 Fits: GM L4 & L6
 Replaces: 27-8146801, 3852096



Part # - CG80003
 Fits: Ford 302/351W
 Replaces: 27-56880, 3852824




Part # - CG80004
 Fits: GM L4 & L6
 Replaces: 27-33956, 3853342




Part # - CG80002
Part # - CG80078 (AFM)
 Fits: Mercury V6 & V8 w/Ground Rivets
 Replaces: 27-530451



Part # - CG80005
Part # - CG80079 (AFM)
 Fits: Mercury V6 & V8 w/Closed Bypass
 Replaces: 27-41812




Part # - CG80006
Part # - CG80080 (AFM)
 Fits: Mercury V6 & V8 w/Open Bypass
 Replaces: 27-488181




Part # - CG80007
Part # - CG80081 (AFM)
 Fits: Mercury L4, V6 & V8 T-Stat Cover
 Replaces: 27-331792



Part # - CG80008
 Fits: Ford 302/351W
 Replaces: 27-60208




Part # - CG80010
 Fits: Chrysler 318-360
 Replaces: High Performance AFM




Part # - CG80011
 Fits: Chrysler 318-360 w/Small Design
 Replaces: 50082




Part # - CG80012
 Fits: Chrysler 318-360 w/Large Design




Part # - CG80040
 Fits: GM 4.3L V6 & SB V8
 Replaces: '27-34897, 3852477, 909835



Part # - CG80041
 Fits: GM 545/502
 Replaces: '27-49110, 3853361, 300206



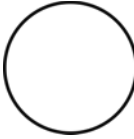
Part # - CG80049
 Fits: GM 545/502




Part # - CG80050
 Fits: GM 4.3L V6 & SB V8
 Replaces: 27-35380, 3850595



Part # - CG80042
 Fits: PCM / Crusader / GM 6.0L V8
 Replaces: RM0281 (Aluminum)




Part # - CG80043
 Fits: PCM / Crusader / GM 6.0L V8




Part # - CG80044
 Fits: PCM / Crusader / GM 6.0L V8
 Replaces: RM0281 (Paper)

Cooling



AFM

Part # - CG80046
 Fits: Chrysler 318-360
 Replaces: 2129013




AFM


Part # - CG80047
 Fits: Chrysler 318-360 (w/Dual Impellers)
 Replaces: 4492300




Valve Cover




Part# - CG40001
 Fits: Mercury L4 3.7L/470, OMC Ford V8 460
 Replaces: 27-73666



Part# - CG40003
 Fits: GM 5.7L/5.0L V8 thru '85
 Replaces: 27-11999, 912965




Part# - CG40004
 Fits: GM 5.7L/5.0L V8 w/Center Bolts
 Replaces: 27-17467, 913270,




Part# - CG40005
 Fits: GM 454/502 V8 thru '92
 Replaces: 27-49121, 912768



Part# - CG40010
 Fits: GM 4.3L V6 w/Stamped Steel Covers
 Replaces: 27-11988, 3854942

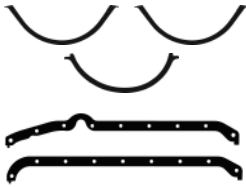


Part# - CG40006
 Fits: Chrysler 318-360
 Replaces: 2951267, 4273129




Part# - CG40007
 Fits: Ford 302/351W
 Replaces: 27-56173, 913758, 3852818

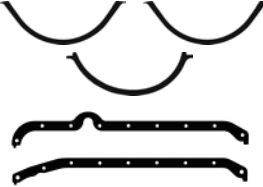
Oil Pan & Sump




Part# - CG60001
 Fits: GM SB V8 W/L.H. Dip Stick
 Replaces: 27-85817A1, 393159, 458625, RM0130



Part# - CG60002
 Fits: GM 4.3L V6 (1pc Flat)
 Replaces: 27-883964, 3852655, 912955



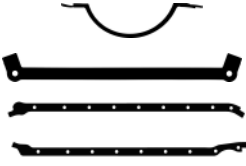
Part# - CG60003
 Fits: GM SB V8 W/R.H. Dip Stick
 Replaces: 27-90458A1, 458625, 357159, 508876, RM0131




Part# - CG60004
 Fits: GM SB 5.0L/5.7L V8 (1pc)
 Replaces: 27-138651, 3856138, RM0249



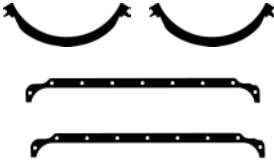
Oil Pan & Sump



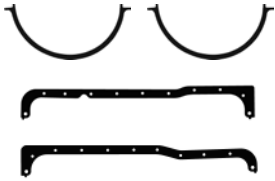
Part# - CG60005
 Fits: GM 454/502 GEN IV/V
 Replaces: 27-52550, 3931593, 508871, 22048




Part# - CG60006
 Fits: GM 454/502 GEN VI (1PC)
 Replaces: 27-811566, 3853510, 31138



Part# - CG60007
 Fits: Chrysler M273, LM318 & M340 (w/steel pan)
 Replaces: 3514157(w/steel pan)



Part# - CG60008
 Fits: Ford 302
 Replaces: 27-64798, 508872, RM0025




Part# - CG60020
 Fits: GM 3.0L/4.3L/5.0L/5.7L
 Replaces: 27-881715, 3852656




Part# - CG60030
 Fits: Ford 302/351W
 Replaces: 27-56859, 914554



Part# - CG60009
 Fits: PCM / Crusader / GM 6.0L V8
 Replaces: RM0279



Part# - CG60010
 Fits: PCM / Crusader / GM 6.0L V8
 Replaces: 12639249, BS40640




Part# - CG60031
 Fits: PCM / Crusader / GM 6.0L V8

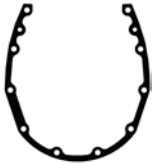


Part# - CG60032
 Fits: PCM / Crusader / GM 6.0L V8
 Replaces: RM0284


Timing Cover




Part# - CG50001
 Fits: GM L4/L6
 Replaces: 27-49953, 3852691



Part# - CG50002
 Fits: GM 4.3L V6 thru '92, 5.0L/5.7L thru '95
 Replaces: 27-14250, 3852654, 3853512



Part# - CG50003
 Fits: GM 545/502 thru '95
 Replaces: 27-54529, 3935449, 30240



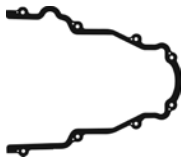
Part# - CG50004
 Fits: GM 545/502 '96 & up
 Replaces: 27-850456



Part# - CG50005
 Fits: Chrysler M273, LM318 & M340
 Replaces: 2129012



Part# - CG50006
 Fits: Ford 302/351W
 Replaces: 27-56108, 913705

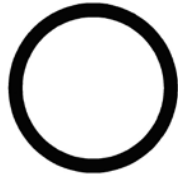


Part# - CG50007
 Fits: PCM / Crusader / GM 6.0L V8
 Replaces: RM0280

Miscellaneous Seals, Gaskets & O-Rings



Part# - CG90001
Distributor Gskt.
 Fits: GM V6 & V8
 Replaces: 27-344863, 3852109



Part# - CG90003
Distributor Gskt.
 Fits: Chrysler V8
 Replaces: 1326836



Part# - CG90010
Cam Retainer Plate
 Fits: PCM / Crusader / GM 6.0L V8
 Used w/Tapered Bolts
 Replaces: 12589016



Part# - CG90030
Rear Main Seal
 Fits: GM 2.5L/3.0L L4, 4.3L V6 & SB V8 Std (LH) Rotation (2 pc)
 Replaces: 26-814622, 3852805, 473424, RO47172



Part# - CG90031 - Yellow
Rear Main Seal
 Fits: GM 2.5L/3.0L L4, 4.3L V6 & SB V8 Rev (RH) Rotation (2 pc)
 Replaces: 26-35313, RO47174



Part# - CG90032
Rear Main Seal
 Fits: GM 3.0L L4, 4.3L V6 & SB V8 Std Rotation (1 pc)
 Replaces: 26-14240, 3852657, 912957, RO47173A



Part# - CG90033
Rear Main Seal
 Fits: GM Big Block Gen IV (2 pc)
 Replaces: 26-8M0062773, 3853528, 31153



Part# - CG90034
Rear Main Seal
 Fits: GM Big Block Gen V & VI (1 pc)
 Replaces: 26-811554, 3853528,



Part# - CG90035
Rear Main Seal
 Fits: Ford SB 302 V8 (2 pc)
 Replaces: 26-56868



Part# - CG90036
Rear Main Seal
 Fits: Chrysler 318/340 "LA" V8 (2 pc)



Part# - CG90037
Rear Main Seal
 Fits: PCM / Crusader / GM 6.0L V8
 Replaces: RO47236



Part# - CG90038
Timing Cover Seal
 Fits: GM 2.5L/3.0L L4, 4.3L V6 & SB V8
 Replaces: 26-97335, 33381



Part# - CG90039
Timing Cover Seal
 Fits: GM Big Block Gen IV, V & VI
 Replaces: 26-49154, 30036





Cometic Gasket - An Exclusive NASCAR Performance Product

Miscellaneous Seals, Gaskets & O-Rings



Part# - CG90040
Timing Cover Seal
Fits: Ford SB 302 V8
Replaces: 26-56866



Part# - CG90041
Timing Cover Seal
Fits: Chrysler 318/340 "LA" V8
(Raw Water Cooled)
Replaces: 2899532



Part# - CG90042
Timing Cover Seal
Fits: PCM / Crusader / GM 6.0L V8
Replaces: RO47237



Part# - CG90043
Rear Main Seal
Fits: Fits Ford 351
(w/1pc. Rear Seal)
Replaces: 0913746

Drive & Lower Unit



Part# - CG70020
Water Pocket
Fits: Mercury MC-1, R, MR,
Alpha I
Replaces: 27-55810



Qty. - 5

Part# - CG700295
Drain Plug @ 5
Fits: Yamaha OB &
Mercury OB (Japan)
Replaces: 90430-08020-00,
27-81987M



Qty. - 25

Part# - CG7002925
Drain Plug @ 25
Fits: Yamaha OB &
Mercury OB (Japan)
Replaces: 90430-08020-00,
27-81987M



Qty. - 5

Part# - CG700305
Drain Plug @ 5
Fits: Mercury OB & IB
Replaces: 12-191832



Qty. - 25

Part# - CG7003025
Drain Plug @ 25
Fits: Mercury OB & IB
Replaces: 12-191832



Qty. - 5

Part# - CG700315
Drain Plug @ 5
Fits: Johnson, Evinrude & OMC
Replaces: 311598



Qty. - 25

Part# - CG7003125
Drain Plug @ 25
Fits: Johnson, Evinrude & OMC
Replaces: 311598





Cometic Gasket - An Exclusive NASCAR Performance Product

CROSS REFERENCE GUIDE

BARR	
BARR #	COMETIC #
CHV-47-000.....	CG20013
CM-1-5972P.....	CG20011
CM-1-6672P.....	CG20010
CR47-C-96108.....	CG20031
CR47-C-96562.....	CG20032
MC47-27-41813.....	CG20022
MC47-27-46401.....	CG20008
MC47-27-46820.....	CG20009
MC47-27-48042.....	CG20020
MC47-27-58764.....	CG30041
MC47-27-70143.....	CG30008
MC47-27-73814.....	CG20042
MC47-27-73866.....	CG20002
MC47-27-97542.....	CG20021
MC47-27-97863.....	CG20028
MC47-27-99757.....	CG20004
MC47-27-99777.....	CG20023
OMC47-907761.....	CG20039
OMC47-908013.....	CG20019
OMC47-909786.....	CG20029
MC47-27-33146.....	CG80068
MC47-32433.....	CG80069
MC47-27-32434.....	CG80070
MC47-27-94915.....	CG80075
CHV-47-000.....	CG20051

CHRIS CRAFT	
CHRIS CRAFT #	COMETIC #
16.11-01236.....	CG40003
16.50-00074.....	CG30043
16.50-00078.....	CG80040
16.50-00162.....	CG90001
16.50-00204.....	CG10027*
16.50-00232.....	CG30002K
16.50-00250.....	CG10029*
16.50-00250.....	CG10030*
16.50-00259.....	CG10031*
16.50-05756.....	CG30044

* Indicates MLS Gasket

CHRYSLER	
CHRYSLER #	COMETIC #
17059.....	CG10023*
2847480.....	CG20070
2899532.....	CG90041
3549392.....	CG90036
3577870.....	CG30043
3745220.....	CG20010
3745307.....	CG10021*
4142880.....	CG10020*
4492300.....	CG80047
2585516.....	CG20055*

* Indicates MLS Gasket

CRUSADER	
CRUSADER #	COMETIC #
20018.....	CG90038
20129.....	CG50002
21005.....	CG30002K
30036.....	CG90039
30240.....	CG50003
30266.....	CG10031*
31137.....	CG10032*
31137.....	CG10033*
31137.....	CG10033*
31137.....	CG10032
31153.....	CG90033
33384.....	CG30045
33393.....	CG30001K
91341.....	CG30044
91351.....	CG40003
96108.....	CG20031

* Indicates MLS Gasket

CRUSADER (cont.)	
CRUSADER #	COMETIC #
96306.....	CG20013
96562.....	CG20032
96653.....	CG20009
98127.....	CG20030
3705042.....	CG30043
7057500.....	CG10029*
7057500.....	CG10030*
7090190.....	CG60002
7231330.....	CG40004
71510000.....	CG30002K
118-614.....	CG20003
R047172.....	CG90030
R047173A.....	CG90032
R047174.....	CG90031
R047205.....	CG90034
R047220.....	CG90039
RM0193.....	CG40004
RM0230.....	CG60006
RM0249.....	CG60004
RM0276A.....	CG20012
RM0278.....	CG10034
RO47236.....	CG90037
RO47237.....	CG90042
RO47041A.....	CG90043
RM0287.....	CG20051*
RM0276.....	CG20057*
RM0294.....	CG20052*
97498.....	CG20059*

* Indicates MLS Gasket

FEL-PRO	
FEL-PRO #	COMETIC #
17000.....	CG10027*
17001.....	CG10028*
17002.....	CG10030*
17003.....	CG10031*
17003.....	CG10032*
17004.....	CG10033*
17008.....	CG10024*
17019.....	CG10025*
17020.....	CG10029*
17069.....	CG10026*
17302.....	CG20001
17420.....	CG20013
17450.....	CG20010
17459.....	CG20011
17459.....	CG20011
17550.....	CG20045
17554.....	CG20047
17600.....	CG80001
17820.....	CG30009
17822.....	CG30010
17823.....	CG30008
17824.....	CG30013
17840.....	CG30011
17841.....	CG30012
17852.....	CG30020K
17852-A.....	CG30020
17852-B.....	CG30021
17900.....	CG40002
17971.....	CG60002
17982.....	CG60004
BS40013.....	CG90030
BS40520.....	CG90032

* Indicates MLS Gasket

GLM	
GLM #	COMETIC #
27105.....	CG80002
27105.....	CG80078
30190.....	CG20044
30200.....	CG20050
30220.....	CG20025
30240.....	CG20022
30345.....	CG30030
30350.....	CG40005
30351.....	CG30001K
30353.....	CG40003
30354.....	CG60020
30357.....	CG40004
30359.....	CG40010
30360.....	CG50001
30380.....	CG30014
30440.....	CG50003
30470.....	CG40007
30510.....	CG30041
30530.....	CG50002
30580.....	CG30013
30860.....	CG30002K
30910.....	CG20040
30920.....	CG20042
31100.....	CG20005
31150.....	CG70020
31340.....	CG80001
31350.....	CG80004
31370.....	CG90001
31380.....	CG80040
31390.....	CG30001
31410.....	CG20027
31420.....	CG20041
31430.....	CG80021
31440.....	CG20008
31480.....	CG20020
31490.....	CG20043
31510.....	CG80006
31520.....	CG20023
31540.....	CG30015
31550.....	CG20006
31570.....	CG20007
31620.....	CG80008
31631.....	CG80005
31631.....	CG80079
31660.....	CG30009
31670.....	CG80007
31710.....	CG20003
31750.....	CG30003
31770.....	CG80041
31900.....	CG80003
32080.....	CG20024
32130.....	CG30012
32170.....	CG20004
32180.....	CG30008
32210.....	CG40002
32460.....	CG20021
32470.....	CG20028
32580.....	CG20039
33040.....	CG40001
33330.....	CG20038
33570.....	CG20001
33580.....	CG20048
33760.....	CG20009
33770.....	CG20019
33790.....	CG20002
33810.....	CG20029
34700.....	CG30010
36100.....	CG10028*
36110.....	CG10031*
36120.....	CG10026*
36140.....	CG10025*
36150.....	CG10027*
36160.....	CG10029*

* Indicates MLS Gasket

GLM (cont.)	
GLM #	COMETIC #
36160.....	CG10030*
36170.....	CG10024
36180.....	CG10032
39120.....	CG20009ER
39160.....	CG60008
39170.....	CG30003K
39270.....	CG20004ER
39280.....	CG20007ER
39290.....	CG20001ER
39300.....	CG20003ER
39310.....	CG20010ER
39320.....	CG20002ER
39490.....	CG60005
39652.....	CG10006T
39680.....	CG10014T
39690.....	CG10005T
39730.....	CG30045
39840.....	CG60002
39850.....	CG60004
39870.....	CG20005ER
39880.....	CG20006ER
39890.....	CG20008ER
85490.....	CG90030
85780.....	CG90038
85960.....	CG90033
87160.....	CG90034
38010.....	CG80051
38011.....	CG80052
38106.....	CG80053
38002.....	CG80054
38003.....	CG80055
38001.....	CG80056
38005.....	CG80057
38004.....	CG80058
31080.....	CG80065
31070.....	CG80066
31060.....	CG80067
31040.....	CG80068
31010.....	CG80069
31020.....	CG80070
31050.....	CG80071
31240.....	CG80072
30090.....	CG80073
30320.....	CG80074
32740.....	CG80075
39622.....	CG70001K
31710.....	CG20054*
32170.....	CG20059*
33790.....	CG20053*
31100.....	CG20051*
33760.....	CG20052*

* Indicates MLS Gasket

INDMAR	
INDMAR #	COMETIC #
S551604.....	CG60004
S551608.....	CG50002
S551607.....	CG30002K

MALLORY	
MALLORY #	COMETIC #
9-46401.....	CG20008
9-60006.....	CG80005
9-60007.....	CG80002
9-60008.....	CG80007
9-60009.....	CG80002
9-60010.....	CG80006
9-60011.....	CG80008
9-60012.....	CG80021
9-60037.....	CG70020
9-60065.....	CG80040
9-60066.....	CG80041
9-60067.....	CG80004



Cometic Gasket - An Exclusive NASCAR Performance Product

CROSS REFERENCE GUIDE

MALLORY (cont.)	
MALLORY #	COMETIC #
9-60074	CG80001
9-61001	CG30011
9-61003	CG30015
9-61004	CG30014
9-61005	CG30041
9-61006	CG30013
9-61007	CG30009
9-61009	CG30012
9-61011	CG30008
9-61041	CG30043
9-61042	CG30044
9-61200	CG30002K
9-61202	CG30004K
9-61204	CG30006K
9-61214	CG30030
9-61217	CG30004K
9-61221	CG30001K
9-61300	CG40003
9-61302	CG40005
9-61305	CG40004
9-61307	CG40007
9-61313	CG40001
9-61316	CG40010
9-61317	CG40002
9-61400	CG20009
9-61401	CG20005
9-61402	CG20007ER
9-61403	CG20001ER
9-61404	CG20004ER
9-61405	CG20003ER
9-61406	CG20002ER
9-61407	CG20023
9-61408	CG20044
9-61409	CG20041
9-61409	CG20040
9-61411	CG20021
9-61412	CG20028
9-61413	CG20022
9-61414	CG20024
9-61416	CG20008
9-61416	CG20016
9-61417	CG20007
9-61418	CG20003
9-61419	CG20001
9-61420	CG20002
9-61421	CG20004
9-61422	CG20025
9-61423	CG20027
9-61424	CG20043
9-61426	CG20006
9-61427	CG20010
9-61428	CG20048
9-61429	CG20018
9-61430	CG20018
9-61453	CG20005ER
9-61454	CG20008ER
9-61455	CG20006ER
9-61501	CG60005
9-61502	CG60008
9-61504	CG60004
9-61505	CG60002
9-61508	CG60006
9-61511	CG60020
9-61600	CG50002
9-61601	CG50003
9-61602	CG50001
9-61610	CG90038
9-61612	CG90039
9-61620	CG90030
9-61621	CG90032
9-61622	CG90034
9-91623	CG90043
9-61624	CG90033
9-61628	CG90031

MALLORY	
MALLORY #	COMETIC #
9-61704	CG10014T
9-61705	CG10001T
9-61707	CG10005T
9-61708	CG10006T
9-63700	CG10027
9-63701	CG10031
9-63702	CG10026
9-63703	CG10032*
9-63703	CG10033*
9-63704	CG10027
9-63705	CG10025
9-63706	CG10029*
9-63706	CG10030*
9-63707	CG10028
9-63708	CG10024
9-65100	CG20019
9-65300	CG20045
9-65301	CG20047
9-65302	CG20046
9-65400	CG20031
9-65401	CG20032
9-65402	CG20030
9-65700	CG20034
9-61626	CG90043
9-60381	CG80051
9-60307	CG80052
9-60376	CG80053
9-60382	CG80054
9-60308	CG80055
9-60378	CG80056
9-60309	CG80057
9-60380	CG80058
9-60030	CG80065
9-60029	CG80066
9-60039	CG80067
9-60036	CG80068
9-60034	CG80069
9-60035	CG80070
9-60031	CG80071
9-60023	CG80072
9-60020	CG80073
9-60022	CG80074
9-61012	CG70001K
9-61427	CG20055
9-61420	CG20053
9-61401	CG20051
9-61400	CG20052
9-61421	CG20059

MERCURY#	
MERCURY#	COMETIC #
12-191832	CG700305 @ 5
12-191832	CG7003025 @ 25
27-845628	CG60006
27-8637251	CG20025
27-881715	CG60020
27-8M0049045	CG10031*
26-14240	CG90032
26-35313	CG90031
26-49154	CG90039
26-56866	CG90040
26-56868	CG90035
26-58203	CG90030
26-59341	CG90038
26-79223	CG90038
26-811554	CG90034
26-814622	CG90030
26-8219471	CG90039
26-8M0062773	CG90033
26-90925	CG90043
26-97335	CG90038

* Indicates MLS Gasket

MERCURY (cont.)	
MERCURY#	COMETIC #
27-11977	CG30001K
27-11986	CG10028*
27-11988	CG40010
27-11999	CG40003
27-13687	CG10031*
27-13709T	CG10026*
27-138651	CG60004
27-14247	CG60002
27-14250	CG50002
27-14756	CG90033
27-14765	CG40005
27-17145	CG30002K
27-32771	CG40004
27-18272	CG20028
27-19551	CG80066
27-19553	CG80067
27-32771	CG80065
27-331792	CG80081*
27-331792	CG80007
27-33395	CG20005
27-33395	CG20051*
27-33395A2	CG20007ER
27-33956	CG80004
27-34213	CG30043
27-344863	CG90001
27-34897	CG80040
27-34898	CG30044
27-35380	CG80050
27-35898A-4	CG20001ER
27-35898T	CG30001
27-39915	CG20027
27-39917	CG20044
27-39923	CG20041
27-39947	CG20050
27-41610	CG30011
27-41812	CG80079*
27-41812	CG80005
27-41813	CG20022
27-42457	CG30045
27-426311	CG80071
27-430331	CG80073
27-430472	CG80074
27-46401	CG20008
27-46401A1	CG20004ER
27-46820	CG20009
27-46820	CG20052*
27-46820A1	CG20009ER
27-47453	CG10025*
27-475901	CG80077*
27-475901	CG80021
27-48042	CG20020
27-48043	CG20043
27-48399	CG30015
27-488181	CG80080*
27-488181	CG80006
27-49110	CG80041
27-49121	CG40005
27-49953	CG50001
27-52145	CG40002
27-52364	CG10027*
27-524572	CG30014
27-52546	CG20006
27-530451	CG80078*
27-530451	CG80002
27-53354	CG20007
27-53354A1	CG20003ER
27-54529	CG50003
27-54566A1	CG20010ER
27-55810	CG70020
27-55810-1	CG70020
27-56173	CG40007
27-56880	CG80003
27-58764	CG30041

* Indicates MLS Gasket

MERCURY	
MERCURY#	COMETIC#
27-60715	CG30013
27-64692	CG30009
27-64798	CG60008
27-64818A3	CG70001K
27-65184	CG30003K
27-65577	CG30012
27-68715	CG20003
27-68715	CG20054*
27-70143-1	CG30008
27-70905	CG30003
27-73666	CG40001
27-73812	CG20040
27-738141	CG20042
27-73866	CG20002
27-73866	CG20053*
27-75611	CG10029*
27-75611	CG10030*
27-75611001	CG10029*
27-75611001	CG10030*
27-75611A03	CG10006T
27-75611A2	CG10005T
27-75647	CG10024*
27-75648	CG30006K
27-8052151	CG80075
27-805396	CG30021
27-805522A1	CG30020
27-805722A1	CG30003K
27-807218	CG20042
27-807982-1	CG30008
27-81084	CG10027*
27-810841	CG10027*
27-8115456	CG10033
27-811566	CG60006
27-811572	CG50002
27-8146801	CG80001
27-815528	CG20048
27-816460	CG10028*
27-8172771	CG80072
27-818832	CG20024
27-81987M	CG700295 @ 5
27-81987M	CG7002925 @ 25
27-8243261	CG30030
27-850470	CG10032*
27-851040	CG40002
27-856081	CG80069
27-856101	CG60068
27-856705	CG20021
27-85817A1	CG60001
27-858524	CG80070
27-860231	CG20025
27-863724	CG20022
27-863726	CG20024
27-864547A02	CG20018
27-864549A02	CG20018
27-864850A02	CG20018
27-87105-1	CG20024
27-879150138	CG80004
27-879150139	CG10033*
27-883964	CG60002
27-888947504	CG30050
27-90458A1	CG60003
27-90556	CG80005
27-94996Q2	CG70001K
27-94996T2	CG70001K
27-96429	CG20001
27-97542	CG20021
27-99757	CG20004
27-99757	CG20059*
27-99777 2	CG20023
27-99777A1	CG20002ER
3310-810929003	CG30023K
3310-810929004	CG30023K

* Indicates MLS Gasket



Cometic Gasket - An Exclusive NASCAR Performance Product

CROSS REFERENCE GUIDE

OMC

OMC #	COMETIC #
311068.....	CG20006
311121.....	CG20038
311131.....	CG20035
311598.....	CG700315 @ 5
311598.....	CG7003125 @ 25
312780.....	CG90001
312800.....	CG30044
315055.....	CG30010
357159.....	CG60003
458625.....	CG60001
473424.....	CG90030
508872.....	CG60008
508876.....	CG60003
778045.....	CG20019
841207.....	CG10029*
841207.....	CG10030*
856474.....	CG10029*
856474.....	CG10030*
907761.....	CG20039
907775.....	CG20036
907932.....	CG20016
907932.....	CG20008
908079.....	CG20007
908237.....	CG10025*
908612.....	CG10027*
908717.....	CG20002
908935.....	CG20037
909786.....	CG20029
909835.....	CG80040
910102.....	CG30045
912164.....	CG20001
912227.....	CG10028*
912405.....	CG20003
912766.....	CG10026*
912768.....	CG40001
912768.....	CG40005
912955.....	CG60002
912957.....	CG90032
912965.....	CG40003
912978.....	CG30001K
912989.....	CG90038
913271.....	CG40004
913746.....	CG90043
914578.....	CG20048
914817.....	CG90038
914849.....	CG10031*
914931.....	CG10028*
914972.....	CG10029*
914972.....	CG10030*
985630.....	CG30002K
986103.....	CG30006K
986104.....	CG30006K
988162.....	CG30006K
3850595.....	CG80050
3852095.....	CG30043
3852472.....	CG20009
3852656.....	CG60020
3852657.....	CG90032
3852687.....	CG40004
3852691.....	CG50001
3852693.....	CG40002
3852805.....	CG90035
3852818.....	CG40007
3852824.....	CG80003
3853256.....	CG20048
3853336.....	CG10027*
3853342.....	CG80004
3853380.....	CG10029*
3853380.....	CG10030*
3853412.....	CG20004
3853510.....	CG60006
3853511.....	CG10032*
3853528.....	CG90034

* Indicates MLS Gasket

OMC (cont.)

OMC #	COMETIC #
3853732.....	CG10024*
3854095.....	CG30004K
3854299.....	CG10028*
3854300.....	CG40010
3856138.....	CG60004
3860095.....	CG90039
3931593.....	CG60005
3935449.....	CG50003
14079398.....	CG60003

* Indicates MLS Gasket

PMC

PMC #	COMETIC #
96108.....	CG20031
96306.....	CG20013
96562.....	CG20032
98127.....	CG20030
7090190.....	CG60002
R047172.....	CG90030
R047173A.....	CG90032
R047174.....	CG90031
RM0002.....	CG20034
RM0007.....	CG20002
RM0015.....	CG30043
RM0018.....	CG10024*
RM0025.....	CG60008
RM0039.....	CG40007
RM0043.....	CG80003
RM0057A.....	CG30006K
RM0122.....	CG30044
RM0123.....	CG90001
RM0131.....	CG60003
RM0191.....	CG50003
RM0193.....	CG40004
RM0195.....	CG10029*
RM0195.....	CG10030*
RM0196.....	CG10031*
RM0201.....	CG30004K
RM0203.....	CG80040
RM0227.....	CG10032*
RM0230.....	CG60006
RM0249.....	CG60004
RM0276A.....	CG20012
RM0287.....	CG20017
RO47045.....	CG90035
RO47205.....	CG90034
RO47220.....	CG90039
RO47236.....	CG90037
RO47237.....	CG90042
RO47041A.....	CG90043

* Indicates MLS Gasket

SEI

SEI #	COMETIC #
3853732.....	CG10024*
3854095.....	CG30004K
3854299.....	CG10028*
3854300.....	CG40010
3856138.....	CG60004
3860095.....	CG90039
3931593.....	CG60005
3935449.....	CG50003
14079398.....	CG60003

* Indicates MLS Gasket

SIERRA

SIERRA #	COMETIC #
18-0113.....	CG20021
18-0114.....	CG20039
18-0147.....	CG80003
18-0153.....	CG60001
18-0158.....	CG30003
18-0164.....	CG80001
18-0183.....	CG20002
18-0183.....	CG20053*
18-0239.....	CG80056
18-0240.....	CG80054
18-0243.....	CG80055
18-0292.....	CG80053
18-0293.....	CG80051
18-0294.....	CG80052
18-0305.....	CG20031
18-0309.....	CG20032
18-0311.....	CG40010
18-0322.....	CG60020
18-0327.....	CG80004
18-0347.....	CG40002
18-0348.....	CG60005
18-0352.....	CG40007
18-0353.....	CG30041
18-0354.....	CG30013
18-0356.....	CG30009
18-0357.....	CG30012
18-0398.....	CG80010
18-0403.....	CG30004K
18-0405.....	CG60002
18-0407.....	CG60008
18-0410.....	CG30006K
18-0411.....	CG60003
18-0418.....	CG20009
18-0418.....	CG20052*
18-0462.....	CG30015
18-0464.....	CG40005
18-0465.....	CG30003K
18-0467.....	CG30011
18-0468.....	CG50002
18-0471.....	CG20047
18-0472.....	CG20046
18-0474.....	CG20011
18-0474.....	CG20056*
18-0475.....	CG20030
18-0519.....	CG90032
18-0528.....	CG90035
18-0664.....	CG40004
18-0672.....	CG20025
18-0677.....	CG20034
18-0680.....	CG20048
18-0685.....	CG40001
18-0720.....	CG20018
18-0721.....	CG20018
18-0722.....	CG20018
18-0756.....	CG80058
18-0757.....	CG80057
18-0868.....	CG30002K
18-0872.....	CG20005
18-0872.....	CG20051*
18-0874.....	CG90001
18-0876.....	CG30044
18-0881.....	CG20028
18-0885.....	CG20020
18-0887.....	CG50001
18-0889.....	CG30043
18-0891.....	CG80040
18-0893.....	CG80050
18-0894.....	CG70020
18-0897.....	CG20022
18-0903.....	CG80041
18-0928.....	CG20042
18-0937.....	CG30010
18-0943-1.....	CG20029

* Indicates MLS Gasket

SIERRA (cont.)

SIERRA #	COMETIC #
18-0956.....	CG20003
18-0956.....	CG20054*
18-0976.....	CG50002
18-0980.....	CG50003
18-0994.....	CG30008
18-0994-9.....	CG30008
18-1204.....	CG20001
18-1210.....	CG20041
18-1211.....	CG90030
18-1213.....	CG90038
18-1231.....	CG30004K
18-1232.....	CG60006
18-1233.....	CG90039
18-1234.....	CG90034
18-1237.....	CG60004
18-1238.....	CG30030
18-1254.....	CG10006T
18-1257.....	CG10007T
18-1258.....	CG10010T
18-1259.....	CG10008T
18-1259.....	CG10012T
18-1266.....	CG10005T
18-1267.....	CG10006T
18-1273.....	CG10014T
18-1274.....	CG10001T
18-1277.....	CG10002T
18-1278.....	CG10004T
18-25001.....	CG40005
18-2552.....	CG80007
18-2554.....	CG80005
18-2619-1.....	CG70001K
18-2819.....	CG20027
18-2823.....	CG80067
18-2824.....	CG80066
18-2825.....	CG80065
18-2826.....	CG80068
18-2830.....	CG20008
18-2830.....	CG20016
18-2831.....	CG80021
18-2832.....	CG20043
18-2833.....	CG20023
18-2834.....	CG80008
18-2844.....	CG80006
18-2845.....	CG40003
18-2848.....	CG30014
18-2849-1.....	CG20024
18-2850.....	CG20037
18-2859.....	CG20035
18-2861.....	CG20038
18-2875.....	CG20019
18-2883-1.....	CG20036
18-2896.....	CG20006
18-2909.....	CG20004
18-2909.....	CG20059*
18-2912.....	CG20007
18-2914.....	CG80069
18-2915.....	CG80070
18-2917.....	CG80002
18-2941.....	CG20045
18-2946.....	CG10027*
18-2949.....	CG20013
18-2949.....	CG20017
18-2949.....	CG20051*
18-2949.....	CG20018*
18-2949.....	CG10020*
18-2949.....	CG10033*
18-3876.....	CG10029*
18-3876.....	CG10030*
18-3877.....	CG10031*
18-3878.....	CG10026*
18-3879.....	CG10028*
18-3881.....	CG10025*
18-3883.....	CG10024*
18-3887.....	CG10032*

* Indicates MLS Gasket





CROSS REFERENCE GUIDE

SIERRA (cont.)	
SIERRA #	COMETIC #
18-4347-1	CG20005ER
18-4348	CG20008ER
18-4349	CG20006ER
18-4367	CG20002ER
18-4377	CG30045
18-4394	CG20007ER
18-4395	CG20001ER
18-4397	CG20009ER
18-4398	CG20003ER
18-4399	CG20010ER
18-4408	CG30001K

VOLVO	
VOLVO #	COMETIC #
31055	CG30010
311210	CG10027*
473424	CG90030
835417	CG80002
835966	CG20051*
841207	CG10029*
841207	CG10030*
856034	CG20051*
856474	CG10029*
856474	CG10030*
908237	CG10025*
908611	CG10027*
912164	CG20001
912227	CG10028*
912768	CG40005
912957	CG90032
912965	CG40003
912989	CG90038
913270	CG40004
913745	CG90035
913746	CG90043
914817	CG90038
914849	CG10031*
914930	CG10028*
914971	CG10029*
914971	CG10030*
3850379	CG30001K
3850495	CG20019
3850496	CG20029
3850595	CG80050
3852095	CG30043
3852096	CG80001
3852109	CG90001
3852113	CG30044
3852455	CG20002
3852455	CG20053*
3852472	CG20009
3852472	CG20052*
3853742	CG20053*
3852477	CG80040
3852654	CG50002
3852655	CG60002
3852656	CG60020
3852657	CG90032
3852687	CG40004
3852691	CG50001
3852693	CG40002
3852805	CG90035
3852818	CG40007
3852824	CG80003
3853256	CG20048
3853336	CG10027*
3853341	CG90038
3853342	CG80004
3853361	CG80041
3853380	CG10029*
3853380	CG10030*
3853412	CG20004

* Indicates MLS Gasket

VOLVO (cont.)	
VOLVO #	COMETIC #
3853412	CG20059*
3853510	CG60006
3853511	CG10032*
3853512	CG50002
3853513	CG40005
3853528	CG90034
3853732	CG10024*
3853811	CG10033*
3853912	CG30006K
3854095	CG30004K
3854269	CG30002K
3854299	CG10028*
3854300	CG40010
3854406	CG30006K
3854942	CG40010
3856138	CG60004
3859016	CG30030
3860095	CG90039
3931593	CG60005
3935449	CG50003

* Indicates MLS Gasket

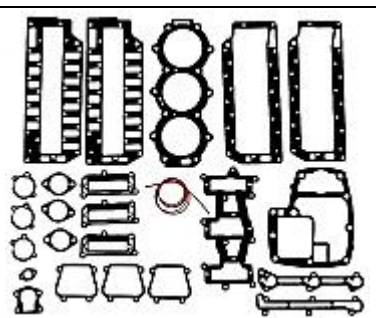
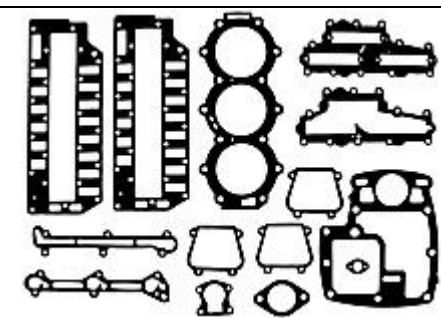
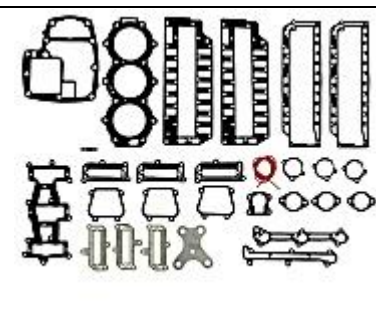
WSM	
WSM#	COMETIC #
446-510	CG70001K

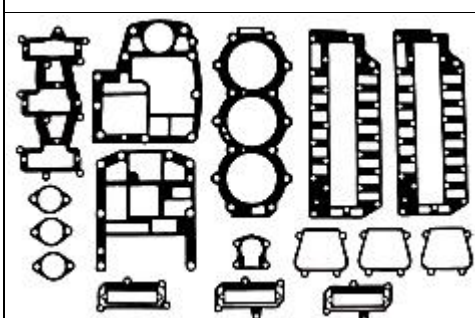
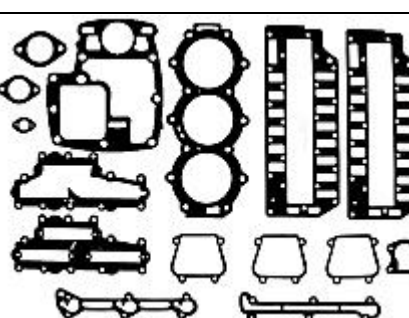
YAMAHA	
YAMAHA#	COMETIC #
YSC-12190-00-AC	CG20004
YSC-12190-00-AC	CG20059*
YSC-13080-00-0C	CG80001
YSC-22190-00-0C	CG20009
YSC-22190-00-0C	CG20051*
YSC-22190-00-0C	CG20052*
YSG-10108-43-8G	CG30044
YSG-10108-44-5G	CG90001
YSG-10114-14-1G	CG30043
YSG-12517-94-3G	CG20001
YSG-14096-15-6G	CG50001
YSG-37545-87-G0	CG80040
YSG-38600-39-G0	CG80041
663-44315-A0	CG80053
663-44316-A0	CG80051
663-44324-A0	CG80052
688-44315-A0	CG80056
688-44316-A0	CG80054
688-44324-A0	CG80055
6H3-44315-A0	CG80058
6H3-44324-A0	CG80057
90430-08020	CG700295 @ 5
90430-08020	CG7002925 @ 25

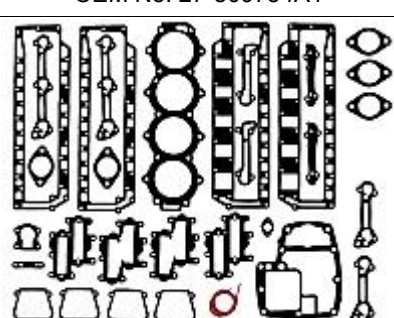
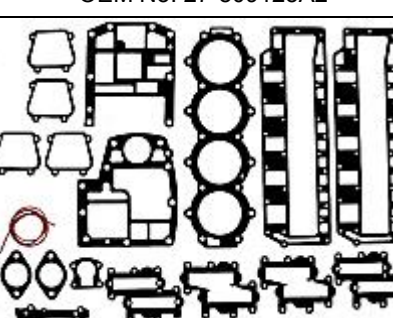
* Indicates MLS Gasket

CHRYSLER / FORCE

DESCRIPTION	OEM NO.	OUR PART NO.	DISTRIBUTOR	DEALER
All descriptions are for reference only.				
Gasket kits do not contain a seal kit.				
Power Head Kits				
3 Cyl. 70-90 HP Complete Kit 70-90	27-809753A1	10-2874K		
3 Cyl. Complete Kit Single Carb 91-98	27-820724A1	10-2874-1K		
3 Cyl. Complete Kit 91-94	27-820725A1	10-2874-2K		
3 Cyl. Complete Kit 95-99	27-809122A2	10-2874-3K		
3 Cyl. Complete Kit 96-98	27-809469A2	10-2874-4K		
4 Cyl. Complete Kit 72-94	27-809754A1	10-2875K		
4 Cyl. 120 HP Complete Kit 96-99	27-809125A2	10-2875-1K		

<p>PART No. 10-2874K OEM No. 27-809753A1</p> 	<p>PART No. 10-2874-1K OEM No. 27-820724A1</p> 	<p>PART No. 10-2874-2K OEM No. 27-820725A1</p> 
3 Cyl. 70-90 HP Complete Kit 70-90	3 Cyl. Complete Kit Single Carb 91-98	3 Cyl. Complete Kit 91-94

<p>PART No. 10-2874-3K OEM No. 27-809122A2</p> 	<p>PART No. 10-2874-4K OEM No. 27-809469A2</p> 
3 Cyl. Complete Kit 95-99	3 Cyl. Complete Kit 96-98

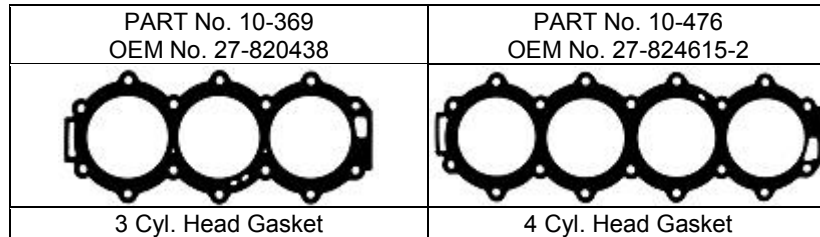
<p>PART No. 10-2875K OEM No. 27-809754A1</p> 	<p>PART No. 10-2875-1K OEM No. 27-809125A2</p> 
4 Cyl. Complete Kit 72-94	4 Cyl. 120 HP Complete Kit 96-99



Cometic Gasket - An Exclusive NASCAR Performance Product

CHRYSLER / FORCE

DESCRIPTION	OEM NO.	OUR PART NO.	DISTRIBUTOR	DEALER
Head Gaskets				
3 Cyl. Head Gasket	27-820438	10-369		
4 Cyl. Head Gasket	27-824615-2	10-476		
Seal Kits				
Oil Seal Kit 70-150 HP 1970-94		10-1101K		
Oil Seal Kit 70 HP+ 1995-99		10-1102K		
Oil Seal Kit 40-50 HP		10-1103K		
Individual Seals				
40-50 HP Upper Crank Seal	26-828626	10-2105		
40-50 HP Lower Crank Seal	26-819394	10-2140		
Upper & Lower Crank Seal 70-150 HP	26-828627	10-2141		



WARNING: Cancer and Reproductive Harm www.P65Warnings.ca.gov



Cometic Gasket - An Exclusive NASCAR Performance Product

CHRYSLER / FORCE

DESCRIPTION	OEM NO.	OUR PART NO.	DISTRIBUTOR	DEALER
Other Kits				
Base Kit 1991-95 70HP	27-820475A	10-475-1K		
Fuel Pump Kit 3.5-125 HP Kit		10-7806K		

PART No. 10-475-1K OEM No. 27-820475A	PART No. 10-7806K
Base Kit 1991-95 70HP	Fuel Pump Kit 3.5-125 HP Kit

DESCRIPTION	OEM NO.	OUR PART NO.	DISTRIBUTOR	DEALER
Individual Force Gaskets				
Sport Jet 3 Cyl. Exhaust Plate 89+	27-819023 1	10-023		
Exhaust Metal Core Gasket All Inboards	27-819035 4	10-023-1		
4 Cyl. Exhaust Plate 89+	27-819024	10-024		
Exhaust Metal Core Gasket	27-819711 2	10-024-1		
"C" Model 91+ Base	27-819049-3	10-049-3		
Exhaust Port Plate	27-F40154-4	10-1235		
Port Cover	27-F40223	10-1236		
Lower Exhaust Cylinder	27-F40279-1	10-1237		
Carb Base S/A 10-1250	27-828925	10-1239		
Cylinder Drain Cover	27-F84472-5	10-1241		

PART No. 10-023 OEM No. 27-819023 1	PART No. 10-023-1 OEM No. 27-819035 4	PART No. 10-024 OEM No. 27-819024	PART No. 10-024-1 OEM No. 27-819711 2	PART No. 10-049-3 OEM No. 27-819049-3
Sport Jet 3 Cyl. Exhaust Plate 89+	Exhaust Metal Core Gasket All Inboards	4 Cyl. Exhaust Plate 89+	Exhaust Metal Core Gasket	'C' Model 91+ Base






PART No. 10-1235 OEM No. 27-F40154-4	PART No. 10-1236 OEM No. 27-F40223	PART No. 10-1237 OEM No. 27-F40279-1	PART No. 10-1239 OEM No. 27-828925	PART No. 10-1241 OEM No. 27-F84472-5
Exhaust Port Plate	Port Cover	Lower Exhaust Cylinder	Carb Base S/A 10-1250	Cylinder Drain Cover



Cometic Gasket - An Exclusive NASCAR Performance Product

CHRYSLER / FORCE

DESCRIPTION	OEM NO.	OUR PART NO.	DISTRIBUTOR	DEALE
Individual Force Gaskets (continued)				
Cylinder Drain Reed Plate	27-F84748-3	10-1242		
Exhaust Port Plate	27-F85154-1	10-1243		
Intake Manifold	27-F85159-1	10-1244		
Carb Adapter Flange	27-F85168-2	10-1245		
Base 91-94 90 HP & 1999 70 HP	27-819381	10-1246		
Cylinder Drain Cover	27-F85472-2	10-1247		
Cylinder Drain Reed Plate	27-F85748-2	10-1248		
By Pass	27-F85762	10-1249		
Carb Base S/A 10-1239	27-828925	10-1250		
Cylinder Drain Cover	27-F93472-1	10-1251		
Reed Plate	27-F93748-1	10-1252		
Thermostat	27-819377	10-1253		
Carb Adapter	27-828316	10-1254		
Seal Cord	F184122-1	10-1255		
Upper Exhaust	27-F307279-2	10-1256		
Exhaust Plate	27-F372154-1	10-1259		
4 Cyl. Intake	27-F406406	10-1260		
Carb Adapter	27-F433168	10-1261		
Deflector Plate	27-F433406	10-1262		
Carb Base	27-F440906	10-1263		
Thermostat Cover S/A 10-854	27-828319	10-1264		
Thermostat Cover S/A 10-1264	27-F476067	10-854		
Intake	27-F481836	10-1265		
Intake	27-F85836	10-1306		
2 Cyl. Exhaust Plate	27-F691153	10-153		
2 Cyl. Exhaust Plate	27-F691154	10-154		
3 Cyl. Base	27-819381	10-381		
3 Cyl. Base Sport Jet AFM-20	27-823700 2	10-381-4		
Cylinder Drain Cover	27-F686472	10-472		
35-50 HP Base 1990-94	27-F684453-1	10-474		
95-99 90 HP Lower Base	27-826549	10-549		
95-99 90 HP Upper Base	27-826550	10-550		
96+ 40-50 HP Lower Base	27-826738	10-738		
40-50 HP Upper Base Gasket 95-99	27-82687	10-871-2		
Fuel Pump Base	27-F658803	10-8803		
70-75 HP Intake	27-819113	10-9113		
70-75 HP Intake	27-819114	10-9114		
Carb Adapter	27-819733	10-9733		

PART No. 10-1242 OEM No. 27-F84748-3	PART No. 10-1243 OEM No. 27-F85154-1	PART No. 10-1244 OEM No. 27-F85159-1	PART No. 10-1245 OEM No. 27-F85168-2	PART No. 10-1246 OEM No. 27-819381
				
Cylinder Drain Reed Plate	Exhaust Port Plate	Intake Manifold	Carb Adapter Flange	Base 91-94 90 HP & 1999 70 HP

CHRYSLER / FORCE

PART No. 10-1247 OEM No. 27-F85472-2	PART No. 10-1248 OEM No. 27-F85748-2	PART No. 10-1249 OEM No. 27-F85762	PART No. 10-1250 OEM No. 27-828925	PART No. 10-1251 OEM No. 27-F93472-1
Cylinder Drain Cover	Cylinder Drain Reed Plate	By Pass	Carb Base S/A 10-1239	Cylinder Drain Cover

PART No. 10-1252 OEM No. 27-F93748-1	PART No. 10-1253 OEM No. 27-819377	PART No. 10-1254 OEM No. 27-828316	PART No. 10-1255 OEM No. F184122-1	PART No. 10-1256 OEM No. 27-F307279-2
Reed Plate	Thermostat	Carb Adapter	Seal Cord	Upper Exhaust

PART No. 10-1259 OEM No. 27-F372154-1	PART No. 10-1260 OEM No. 27-F406406	PART No. 10-1261 OEM No. 27-F433168	PART No. 10-1262 OEM No. 27-F433406	PART No. 10-1263 OEM No. 27-F440906
Exhaust Plate	4 Cyl. Intake	Carb Adapter	Deflector Plate	Carb Base

PART No. 10-1264 OEM No. 27-828319	PART No. 10-854 OEM No. 27-F476067	PART No. 10-1265 OEM No. 27-F481836	PART No. 10-1306 OEM No. 27-F85836	PART No. 10-153 OEM No. 27-F691153
Thermostat Cover S/A 10-854	Thermostat Cover S/A 10-1264	Intake S/A 10-1306	Intake S/A 10-1265	2 Cyl. Exhaust Plate

PART No. 10-154 OEM No. 27-F691154	PART No. 10-381 OEM No. 27-819381	PART No. 10-381-4 OEM No. 27-823700 2	PART No. 10-472 OEM No. 27-F686472	PART No. 10-474 OEM No. 27-F684453-1
2 Cyl. Exhaust Plate	3 Cyl. Base	3 Cyl. Base Sport Jet AFM-20	Cylinder Drain Cover	35-50 HP Base 1990-94



Cometic Gasket - An Exclusive NASCAR Performance Product

CHRYSLER / FORCE

PART No. 10-549 OEM No. 27-826549	PART No. 10-550 OEM No. 27-826550	PART No. 10-738 OEM No. 27-826738	PART No. 10-871-2 OEM No. 27-82687	PART No. 10-8803 OEM No. 27-F658803
95-99 90 HP Lower Base	95-99 90 HP Upper Base	96+ 40-50 HP Lower Base	40-50 HP Upper Base Gasket 95-99	Fuel Pump Base

PART No. 10-9113 OEM No. 27-819113	PART No. 10-9114 OEM No. 27-819114	PART No. 10-9733 OEM No. 27-819733
70-75 HP Intake	70-75 HP Intake	Carb Adapter

APPLICATION

Gasket and Seal Kits						
HP	Year	Cyl.	Gasket Kit	Head	Seal Kit	Fuel Pump
70	1970-73, 1979-80	3	10-2874K	10-369	10-1101K	10-7806K
70	1991-95 Single Carb	3	10-2874-1K	10-369	10-1101K	10-7806K
70	1999	3	10-2874-2K	10-369	10-1101K	10-7806K
75	1974-79	3	10-2874K	10-369	10-1101K	10-7806K
75	1980-83	3	10-2874K	10-369	10-1101K	10-7806K
75	1969-98	3	10-2874-4K	10-369	10-1101K	10-7806K
75	1969-98 Single Carb	3	10-2874-1K	10-369	10-1102K	10-7806K
75	1999	3	10-2874-3K	10-369	10-1102K	10-7806K
85	1970-73, 1977-79	3	10-2874K	10-369	10-1102K	10-7806K
85	1980-89	3	10-2874K	10-369	10-1101K	10-7806K
90	1974-77	3	10-2874K	10-369	10-1101K	10-7806K
90	1983, 1989-90	3	10-2874K	10-369	10-1101K	10-7806K
90	1991-94	3	10-2874-2K	10-369	10-1101K	10-7806K
90	1995-99	3	10-2874-3K	10-369	10-1102K	10-7806K
100	1979-81, 1983	4	10-2875K	10-476	10-1101K	10-7806K
105	1972-78	4	10-2875K	10-476	10-1101K	10-7806K
105	1982, 1979-1983	4	10-2875K	10-476	10-1101K	10-7806K
115	1977-83	4	10-2875K	10-476	10-1101K	10-7806K
120	1971-77	4	10-2875K	10-476	10-1101K	10-7806K
120	1989-98	4	10-2875K	10-476	10-1101K	10-7806K
120	1995+	4	10-2875K	10-476	10-1102K	10-7806K
120	1969-99	4	10-2875-1K	10-476	10-1102K	10-7806K
125	1983+	4	10-2875K	10-476	10-1101K	10-7806K
135	1974-77	4	10-2875K	10-476	10-1101K	10-7806K
140	1978-83	4	10-2875K	10-476	10-1101K	10-7806K
150	1989-94	5	-	-	10-1101K	10-7806K



Cometic Gasket - An Exclusive NASCAR Performance Product

JOHNSON / EVINRUDE

DESCRIPTION	OEM NO.	OUR PART NO.	DISTRIBUTOR	DEALER
All descriptions are for reference only.				
Gasket kits do not contain a seal kit.				
Power Head Kits				
V-4 X-flow Kit 115 Hp 73-77 No H/G's	388602	10-4301K		
3 Cyl. 60-75 1972-88 Kit S/A Pro 497	439084	10-4302K		
V-4 X-flow Kit S/A Pro 499	439085	10-4303K		
V-6 X-flow Kit S/A Pro 498	391988	10-4304K		
2 Cyl. Kit 40-60 Hp	439083	10-4305K		
V-6 S/B Looper Kit	398172	10-4308K		
V-6 X-flow Kit	434381	10-4309K		
V-4 SB Looper Kit	396750	10-4310K		
V-8 BB Kit	398693	10-4320K		
3 Cyl. Kit 1986+	438904	10-4321K		
V-4 Big Bore Looper Kit	432570	10-4322K		
V-6 Big Bore Looper Kit	436891	10-4323K		
V-6 BB Looper Kit 1993+	437725	10-4323-1K		
225-250 HP Ficht FFI Kit 1999+	437725	10-4323-2K		
225-250 HP 3.3L 2000 - 2005	787131	10-4323-3K		
225-250 HP 3.3L 2006+	5006342	10-4323-4K		
60' V-6 Eagle 1992-99 Kit	437155	10-4371K		
60' V-4 Eagle 1991-99 Kit	439559	10-4372K		
V-4 Ficht FFI 90-115 Hp Kit	5000400	10-4373K		
V-6 Ficht FFI 150-175 Hp Kit	439202	10-4374K		

PART No. 10-4301K OEM No. 388602	PART No. 10-4302K OEM No. 439084	PART No. 10-4303K OEM No. 439085	PART No. 10-4304K OEM No. 391988
V-4 X-flow Kit 115 Hp 73-77 No H/G's	3 Cyl. 60-75 1972-88 Kit S/A Pro 497	V-4 X-flow Kit S/A Pro 499	V-6 X-flow Kit S/A Pro 498

PART No. 10-4305K OEM No. 439083	PART No. 10-4308K OEM No. 398172	PART No. 10-4309K OEM No. 434381	PART No. 10-4310K OEM No. 396750
2 Cyl. Kit 40-60 Hp	V-6 S/B Looper Kit	V-6 X-flow Kit	V-4 SB Looper Kit

JOHNSON / EVINRUDE

<p>PART No. 10-4320K OEM No. 398693</p>	<p>PART No. 10-4321K OEM No. 438904</p>	<p>PART No. 10-4322K OEM No. 432570</p>	<p>PART No. 10-4323K OEM No. 436891</p>
<p>V-8 BB Kit</p>	<p>3 Cyl. Kit 1986+</p>	<p>V-4 Big Bore Looper Kit</p>	<p>V-6 Big Bore Looper Kit</p>
<p>PART No. 10-4323-1K OEM No. 437725</p>	<p>PART No. 10-4323-2K OEM No. 437725</p>	<p>PART No. 10-4323-3K OEM No. 787131</p>	<p>PART No. 10-4323-4K OEM No. 5006342</p>
<p>V-6 BB Looper Kit 1993+</p>	<p>225-250 HP Ficht FFI Kit 1999+</p>	<p>225-250 HP 3.3L 2000 - 2005</p>	<p>225-250 HP 3.3L 2006+</p>
<p>PART No. 10-4371K OEM No. 437155</p>	<p>PART No. 10-4372K OEM No. 439559</p>	<p>PART No. 10-4373K OEM No. 5000400</p>	<p>PART No. 10-4374K OEM No. 439202</p>
<p>60' V-6 Eagle 1992-99 Kit</p>	<p>60' V-4 Eagle 1991-99 Kit</p>	<p>V-4 Ficht FFI 90-115 Hp Kit</p>	<p>V-6 Ficht FFI 150-175 Hp Kit</p>

JOHNSON / EVINRUDE

DESCRIPTION	OEM NO.	OUR PART NO.	DISTRIBUTOR	DEALER
Head Gaskets				
3.3 L Head Gasket	346007	10-007		
V- 4 Head Gasket	340115	10-2197		
V-6 X-flow BB Head Gasket	335361	10-3801		
40,50,60 Hp.2 Cyl. Head Gasket	335359	10-3802		
60/ 70 3 Cyl. Head Gasket 86-97	329836	10-3836		
V-4 Looper Small Bore Head Gasket 85-87	328623	10-3837		
V-6 Looper Small Bore Head Gasket 85-87	331211	10-3838		
V-6 Looper Big Bore Head Gasket 88-92	333670	10-3839		
V-8 BB Head Gasket	333554	10-3885		
V-6 BB Looper 200-225 93-Up Head Gasket	340919	10-919		
3 Cyl. Head Gasket 60/75 Hp	313413	10-958		
V-4 Crossflow Head Gasket	318358	10-966		
V-6 Crossflow Head Gasket	335360	10-967		
2.5-5 Hp Head Gasket OEM 1981-93	332010	10-998		

OEM No. 346007	PART No. 10-2197 OEM No. 340115	PART No. 10-3801 OEM No. 335361	PART No. 10-3802 OEM No. 335359
3.3 L Head Gasket	V- 4 Head Gasket	V-6 X-flow BB Head Gasket	40,50,60 Hp.2 Cyl. Head Gasket

PART No. 10-3836 OEM No. 329836	PART No. 10-3837 OEM No. 328623	PART No. 10-3838 OEM No. 331211	PART No. 10-3839 OEM No. 333670	PART No. 10-3885 OEM No. 333554
60/ 70 3 Cyl. Head Gasket 86-97	V-4 Looper Small Bore Head Gasket 85-87	V-6 Looper Small Bore Head Gasket 85-87	V-6 Looper Big Bore Head Gasket 88-92	V-8 BB Head Gasket

PART No. 10-919 OEM No. 340919	PART No. 10-958 OEM No. 313413	PART No. 10-966 OEM No. 318358	PART No. 10-967 OEM No. 335360	PART No. 10-998 OEM No. 332010
V-6 BB Looper 200-225 93-Up Head Gasket	3 Cyl. Head Gasket 60/75 Hp	V-4 Crossflow Head Gasket	V-6 Crossflow Head Gasket	2.5-5 Hp Head Gasket OEM 1981-93

JOHNSON / EVINRUDE

DESCRIPTION	OEM NO.	OUR PART NO.	DISTRIBUTOR	DEALER
Engine Oil Seal Kits				
Oil Seal Kit		10-1732K		
Oil Seal Kit		10-1732-2K		
Oil Seal Kit OMC V4/V6		10-1733K		
Oil Seal Kit OMC V4/V6		10-1733-1K		
Oil Seal Kit V4/V6 Double lip seal		10-1733-2K		
Oil Seal Kit		10-1733-3K		
V4-V6 Looper Seal Kit		10-1776K		
V4/V6 60 Deg Eagle & FFI 92+ Seal Kit		10-1777K		
V4/V6 60 Deg Eagle & FFI 91 Seal Kit		10-1777-1K		
2 & 3 Cyl. Oil Seal	330137	10-027		
V-4 Xflow 1992+ 60 Deg 92+ Viton	337085	10-085		
Double Lip Lwr Crank Seal Through 1991 Viton	331103	10-103		
V4/V6 Xflow & Looper Oil Seal Viton	339620	10-1452		
2 & 3 Cyl. Oil Seal Viton	321895	10-1581		
Oil seal S/A 332 Viton	332942	10-1635		
60 Deg. V-6 Upper Seal	336232	10-232		

PART No. 10-1732K	PART No. 10-1732-2K	PART No. 10-1733K	PART No. 10-1733-1K	PART No. 10-1733-2K	PART No. 10-1733-3K
Oil Seal Kit	Oil Seal Kit	Oil Seal Kit OMC V4/V6	Oil Seal Kit OMC V4/V6	Oil Seal Kit V4/V6 Double lip seal	Oil Seal Kit

PART No. 10-1776K	PART No. 10-1777K	PART No. 10-1777-1K	PART No. 10-027 OEM No. 330137	PART No. 10-085 OEM No. 337085
V4-V6 Looper Seal Kit	V4/V6 60 Deg Eagle & FFI 92+ Seal Kit	V4/V6 60 Deg Eagle & FFI 91 Seal Kit	2 & 3 Cyl. Oil Seal	V-4 Xflow 1992+ 60 Deg 92+ Viton

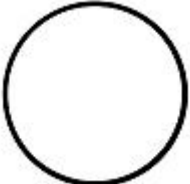
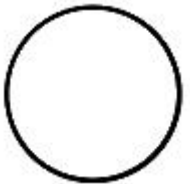
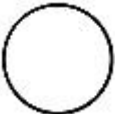
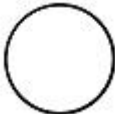
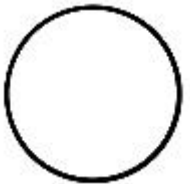
PART No. 10-103 OEM No. 331103	PART No. 10-1452 OEM No. 339620	PART No. 10-1581 OEM No. 321895	PART No. 10-1635 OEM No. 332942	PART No. 10-232 OEM No. 336232
Double Lip Lwr Crank Seal Through 1991 Viton	V4/V6 Xflow & Looper Oil Seal Viton	2 & 3 Cyl. Oil Seal Viton	Oil seal S/A 332 Viton	60 Deg. V-6 Upper Seal

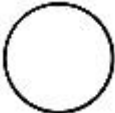
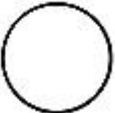
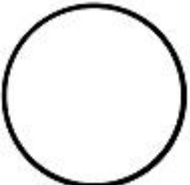





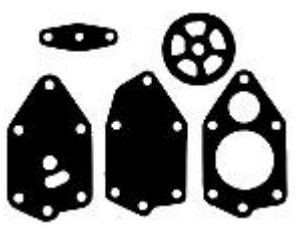
Cometic Gasket - An Exclusive NASCAR Performance Product

JOHNSON / EVINRUDE

DESCRIPTION	OEM NO.	OUR PART NO.	DISTRIBUTOR	DEALER
Individual O-rings				
Looper O-ring	326741	10-1453		
O-ring	332585	10-2143		
O-ring	305123	10-250		
O-ring S/A 8134	313754	10-261		
V4/V6 60 deg Head Gasket O-ring	335523	10-2745		
V-6 60' 91-93 Cap O-ring	338518	10-518		
V4/V-6 60' 94+ Cap O-ring	335524	10-519		
3 Cyl. Upper Crank O-ring S/A 10-261	313754	10-8134		
O-ring S/A 10-256	308876	10-8138		
Fuel Pump Kits				
Fuel Pump Kit	393103	10-1434K		
Fuel Pump Kit	398514	10-1641K		
Fuel Pump Kit	432962	10-1642K		

PART No. 10-1453 OEM No. 326741	PART No. 10-2143 OEM No. 332585	PART No. 10-250 OEM No. 305123	PART No. 10-261 OEM No. 313754	PART No. 10-2745 OEM No. 335523
				
Looper O-ring	O-ring	O-ring	O-ring S/A 8134	V4/V6 60 deg Head Gasket O-ring

PART No. 10-518 OEM No. 338518	PART No. 10-519 OEM No. 335524	PART No. 10-8134 OEM No. 313754	PART No. 10-8138 OEM No. 308876
			
V-6 60' 91-93 Cap O-ring	V4/V-6 60' 94+ Cap O-ring	3 Cyl. Upper Crank O-ring S/A 10-261	O-ring S/A 10-256

PART No. 10-1434K OEM No. 393103	PART No. 10-1641K OEM No. 398514	PART No. 10-1642K OEM No. 432962
		
Fuel Pump Kit	Fuel Pump Kit	Fuel Pump Kit



Cometic Gasket - An Exclusive NASCAR Performance Product

JOHNSON / EVINRUDE

DESCRIPTION	OEM NO.	OUR PART NO.	DISTRIBUTOR	DEALER
Individual J/E Gaskets				
V-6 Crossflow Water Passage Cvr	317951	10-1154		
Thermostat Rubber Washer	339044	10-1155		
70/75 HP Air Silencer	314115	10-1488		
70/75 HP Base to Cvr	314322	10-1489		
Adapter to powerhead	318373	10-1490		
Exhaust Cover Outer 235 HP	336430	10-1491		
Water Pump	911702	10-1493		
Exhaust cover	325211	10-1599		
V-4 Looper Base	328590	10-1631		
V-8 Base Gasket	329975	10-1632		
V-6 Looper Power Head Base	333879	10-1636		
Power Head Base	344386	10-1637		
Power Head Base 150, 175 60 Deg V-6 1996+	346354	10-1638		
V-6 3.3L Power Head Base	351535	10-1639		
2 Cyl. Air Box	320679	10-1705		
2 Cyl. Intake Manifold	335633	10-1707		
2 Cyl. Carb Gasket	321497	10-1708		
Intake	315578	10-1709		
25/35 HP Base	328283	10-1711		
40/50 HP 2 Cyl. Base	326468	10-1712		
9.9/15 H/P Outer Leaf Plate	325260	10-1719		
Thermostat Seat	320880	10-1960		
Water Passage	915719	10-1966		
Water Pump	911698	10-1967		
Water Cover	911733	10-1968		
Thermostat Cvr	337068	10-1969		
V4/V-8 Intake Manifold	328622	10-1972		
V-4 Looper Reed Box	328626	10-1973		
V-6/ V-8 Looper Reed	332266	10-1974		
V-4 Looper Carb to Air Box	328604	10-1975		
V-4 Looper Air Box	331101	10-1976		
Throttle body	332319	10-1977		
PMP J/E Rect. Mount	330412	10-1978		
V-6 Looper Lower Intake Manifold	331532	10-1979		
V-6 Looper Air Intake Cover	331598	10-1980		
V-6 Looper Air Box	327236	10-1981		
Shift Rod Cvr Late Model	352165	10-2165		
3 Cyl. Base 86/95	329828	10-2205		
3 Cyl. Thermostat Cvr.	329830	10-2206		
3 Cyl. Exhaust cover	329833	10-2207		
60/70 HP Adapter	336308	10-2208		
Inner Exhaust Cvr	326264	10-2209		
Vernatherm Diaphragm	394408	10-2210		
Reg/Rect	342291	10-2291		
60' Eagle Thermo Seal	335981	10-2384		
Carb to Man O-ring P/Side	335403	10-2741		
Carb To Man O-ring S/Side	335404	10-2742		
V-4 60' Intake Man Seal Port	335818	10-3358		
V-4 60' Intake Man Seal Star	335819	10-3359		
Power Head Base V-6	335419	10-419		

**WARNING:** Cancer and Reproductive Harm www.P65Warnings.ca.gov



Cometic Gasket - An Exclusive NASCAR Performance Product

JOHNSON / EVINRUDE

DESCRIPTION	OEM NO.	OUR PART NO.	DISTRIBUTOR	DEALER
Individual J/E Gaskets (continued)				
V-6 Ficht T/Body	344335	10-4335		
V-6 3.3L Rectifier Mounting	344472	10-4472		
V-4 Ficht T/Body	344526	10-4526		
V-6 3.3L Arrestor	350933	10-4933		
V-6 3.3L Reed	350934	10-4934		
V-6 Cross Flow Base	335503	10-503		
V-4 60 Deg Eagle & FFI 90-115 1995+ Base	339602	10-601		
Reed / Viton	336226	10-6226		
Reed Late Model Fiber	336226	10-6226-1		
OMC 99+ Fitch V-6	344341	10-6226A		
Reed / Viton	336227	10-6227		
Reed Late Model Fiber	336227	10-6227-1		
Reed / Buna	344347	10-6227A		
Intake Man. 60 Deg V-4	336388	10-6388		
Intake Man. 60 Deg V-4	345044	10-6388A		
Intake Man. 60 Deg V-4	336389	10-6389		
Intake Man. 60 Deg V-4	345045	10-6389A		
200/225/250 99+ FFI Base	347205	10-7205		
V-4 Adapter to Powerhead	321727	10-727		
3 Cyl.Exhaust Cvr 72-85	331916	10-751		
Swivel Bearing I/O	910236	10-754		
Exhaust Cvr	323459	10-755		
V-4 Crossflow Airbox	321722	10-756		
Carb Silencer	319771	10-757		
Carb Mount	327707	10-758		
2 Cyl. Fuel Pump Mount	303615	10-759		
Thermostat	321932	10-760		
Exhaust Cvr	393561	10-761		
V-6 Cross Flow BB 175& 235 Base	323214	10-762		
Water Jacket Cvr	321028	10-763		
Air Silencer	321183	10-764		
25/35 H/P Bypass	319661	10-767		
3 Cyl. Water Jkt.	318609	10-769		
3 Cyl. Silencer	321794	10-770		
3 Cyl. Base 72-85	328618	10-771		
3 Cyl. Carb to Air Box	333008	10-772		
3 Cyl. Intake	317305	10-773		
3 Cyl. Intake	326926	10-774		
3 Cyl. Exhaust Cvr 72-85	331917	10-776		
3 Cyl. Thermostat Cvr	332108	10-777		
Bypass Cvr	307133	10-909		
V-4 Exhaust Crossflow	317914	10-926		
V-4 Water Cvr	318335	10-928		
THERMOSTAT CORK .125		10-929		
V-4 Intake	319174	10-930		
V-4 Exhaust Crossflow	317955	10-935		
V-6 Adapter To Powerhead	323222	10-937		
3 Cyl. Thermostat Cvr. S/A 0929	313416	10-946		
V-6 Crossflow Thermostat Cvr	321184	10-949		
V-4 Crossflow Thermostat	332369	10-952		
2 & 3 Cyl.Carb Base	325092	10-953		
Pivot Cap Cvr	316499	10-962		





Cometic Gasket - An Exclusive NASCAR Performance Product

JOHNSON / EVINRUDE

DESCRIPTION	OEM NO.	OUR PART NO.	DISTRIBUTOR	DEALER
Individual J/E Gaskets (continued)				
Exhaust Cvr	318156	10-965		
V-6 Crossflow Exhaust Plate	321182	10-968		
V-6 Crossflow Intake Manifold	329718	10-969		
V-6 Crossflow Exhaust Plate	321435	10-970		
V-6 Crossflow Reed	321907	10-971		
V-6 Crossflow Water Passage Cvr	322858	10-972		
V-4 Exhaust Crossflow	323469	10-973		
V-4/V-6 Crossflow & Looper Shift Housing	324670	10-975		
V-6 Crossflow Water Pump	338484	10-976		
Thermostat	303355	10-977		
Fuel Pump	338879	10-989		
2 Cyl. Water Jkt Cvr	315538	10-992		

PART No. 10-1154 OEM No. 317951	PART No. 10-1155 OEM No. 339044	PART No. 10-1488 OEM No. 314115	PART No. 10-1489 OEM No. 314322	PART No. 10-1490 OEM No. 318373
V-6 Crossflow Water Passage Cvr	Thermostat Rubber Washer	70/75 HP Air Silencer	70/75 HP Base to Cvr	Adapter to powerhead

PART No. 10-1491 OEM No. 336430	PART No. 10-1493 OEM No. 911702	PART No. 10-1599 OEM No. 325211	PART No. 10-1631 OEM No. 328590	PART No. 10-1632 OEM No. 329975
Exhaust Cover Outer 235 HP	Water Pump	Exhaust cover	V-4 Looper Base	V-8 Base Gasket

PART No. 10-1636 OEM No. 333879	PART No. 10-1637 OEM No. 344386	PART No. 10-1638 OEM No. 346354	PART No. 10-1639 OEM No. 351535	PART No. 10-1705 OEM No. 320679
V-6 Looper Power Head Base	Power Head Base	Power Head Base 150, 175 60 Deg V-6 1996+	V-6 3.3L Power Head Base	2 Cyl. Air Box

JOHNSON / EVINRUDE

PART No. 10-1707 OEM No. 335633	PART No. 10-1708 OEM No. 321497	PART No. 10-1709 OEM No. 315578	PART No. 10-1711 OEM No. 328283	PART No. 10-1712 OEM No. 326468
2 Cyl. Intake Manifold	2 Cyl. Carb Gasket	Intake	25/35 HP Base	40/50 HP 2 Cyl. Base

PART No. 10-1719 OEM No. 325260	PART No. 10-1960 OEM No. 320880	PART No. 10-1966 OEM No. 915719	PART No. 10-1967 OEM No. 911698	PART No. 10-1968 OEM No. 911733
9.9/15 H/P Outer Leaf Plate	Thermostat Seat	Water Passage	Water Pump	Water Cover

PART No. 10-1969 OEM No. 337068	PART No. 10-1972 OEM No. 328622	PART No. 10-1973 OEM No. 328626	PART No. 10-1974 OEM No. 332266	PART No. 10-1975 OEM No. 328604
Thermostat Cvr	V4/V-8 Intake Manifold	V-4 Looper Reed Box	V-6/ V-8 Looper Reed	V-4 Looper Carb to Air Box

PART No. 10-1976 OEM No. 331101	PART No. 10-1977 OEM No. 332319	PART No. 10-1978 OEM No. 330412	PART No. 10-1979 OEM No. 331532	PART No. 10-1980 OEM No. 331598
V-4 Looper Air Box	Throttle body	PMP J/E Rect. Mount	V-6 Looper Lower Intake Manifold	V-6 Looper Air Intake Cover

JOHNSON / EVINRUDE

PART No. 10-1981 OEM No. 327236	PART No. 10-2165 OEM No. 352165	PART No. 10-2205 OEM No. 329828	PART No. 10-2206 OEM No. 329830	PART No. 10-2207 OEM No. 329833
V-6 Looper Air Box	Shift Rod Cvr Late Model	3 Cyl. Base 86/95	3 Cyl. Thermostat Cvr.	3 Cyl. Exhaust cover
PART No. 10-2208 OEM No. 336308	PART No. 10-2209 OEM No. 326264	PART No. 10-2210 OEM No. 394408	PART No. 10-2291 OEM No. 342291	PART No. 10-2384 OEM No. 335981
60/70 HP Adapter	Inner Exhaust Cvr	Vernatherm Diaphragm	Reg/Rect	60' Eagle Thermo Seal
PART No. 10-2741 OEM No. 335403	PART No. 10-2742 OEM No. 335404	PART No. 10-3358 OEM No. 335818	PART No. 10-3359 OEM No. 335819	PART No. 10-419 OEM No. 335419
Carb to Man O-ring P/Side	Carb To Man O-ring S/Side	V-4 60' Intake Man Seal Port	V-4 60' Intake Man Seal Star	Power Head Base V- 6
PART No. 10-4335 OEM No. 344335	PART No. 10-4472 OEM No. 344472	PART No. 10-4526 OEM No. 344526	PART No. 10-4933 OEM No. 350933	PART No. 10-4934 OEM No. 350934
V-6 Ficht T/Body	V-6 3.3L Rectifier Mounting	V-4 Ficht T/Body	V-6 3.3L Arrestor	V-6 3.3L Reed

JOHNSON / EVINRUDE

PART No. 10-503 OEM No. 335503	PART No. 10-601 OEM No. 339602	PART No. 10-6226 OEM No. 336226	PART No. 10-6226-1 OEM No. 336226	PART No. 10-6226A OEM No. 344341
V-6 Cross Flow Base	V-4 60 Deg Eagle & FFI 90-115 1995+ Base	Reed / Viton	Reed Late Model Fiber	OMC 99+ Fitch V-6

PART No. 10-6227 OEM No. 336227	PART No. 10-6227-1 OEM No. 336227	PART No. 10-6227A OEM No. 344347	PART No. 10-6388 OEM No. 336388	PART No. 10-6388A OEM No. 345044
Reed / Viton	Reed Late Model Fiber	Reed / Buna	Intake Man. 60 Deg V-4	Intake Man. 60 Deg V-4

PART No. 10-6389 OEM No. 336389	PART No. 10-6389A OEM No. 345045	PART No. 10-7205 OEM No. 347205	PART No. 10-727 OEM No. 321727	PART No. 10-751 OEM No. 331916
Intake Man. 60 Deg V-4	Intake Man. 60 Deg V-4	200/225/250 99+ FFI Base	V-4 Adapter to Powerhead	3 Cyl. Exhaust Cvr 72- 85

PART No. 10-754 OEM No. 910236	PART No. 10-755 OEM No. 323459	PART No. 10-756 OEM No. 321722	PART No. 10-757 OEM No. 319771	PART No. 10-758 OEM No. 327707
Swivel Bearing I/O	Exhaust Cvr	V-4 Crossflow Airbox	Carb Silencer	Carb Mount

JOHNSON / EVINRUDE

PART No. 10-759 OEM No. 303615	PART No. 10-760 OEM No. 321932	PART No. 10-761 OEM No. 393561	PART No. 10-762 OEM No. 323214	PART No. 10-763 OEM No. 321028
2 Cyl. Fuel Pump Mount	Thermostat	Exhaust Cvr	V-6 Cross Flow BB 175& 235 Base	Water Jacket Cvr

PART No. 10-764 OEM No. 321183	PART No. 10-767 OEM No. 319661	PART No. 10-769 OEM No. 318609	PART No. 10-770 OEM No. 321794	PART No. 10-771 OEM No. 328618
Air Silencer	25/35 H/P Bypass	3 Cyl. Water Jkt.	3 Cyl. Silencer	3 Cyl. Base 72-85

PART No. 10-772 OEM No. 333008	PART No. 10-773 OEM No. 317305	PART No. 10-774 OEM No. 326926	PART No. 10-776 OEM No. 331917	PART No. 10-777 OEM No. 332108	PART No. 10-909 OEM No. 307133
3 Cyl. Carb to Air Box	3 Cyl. Intake	3 Cyl. Intake	3 Cyl. Exhaust Cvr 72-85	3 Cyl. Thermostat Cvr	Bypass Cvr

PART No. 10-926 OEM No. 317914	PART No. 10-928 OEM No. 318335	PART No. 10-929 OEM No.	PART No. 10-930 OEM No. 319174	PART No. 10-935 OEM No. 317955
V-4 Exhaust Crossflow	V-4 Water Cvr	THERMOSTAT CORK .125	V-4 Intake	V-4 Exhaust Crossflow

JOHNSON / EVINRUDE

PART No. 10-937 OEM No. 323222	PART No. 10-946 OEM No. 313416	PART No. 10-949 OEM No. 321184	PART No. 10-952 OEM No. 332369	PART No. 10-953 OEM No. 325092
V-6 Adapter To Powerhead	3 Cyl. Thermostat Cvr. S/A 0929	V-6 Crossflow Thermostat Cvr	V-4 Crossflow Thermostat	2 & 3 Cyl. Carb Base

PART No. 10-962 OEM No. 316499	PART No. 10-965 OEM No. 318156	PART No. 10-968 OEM No. 321182	PART No. 10-969 OEM No. 329718	PART No. 10-970 OEM No. 321435
Pivot Cap Cvr	Exhaust Cvr	V-6 Crossflow Exhaust Plate	V-6 Crossflow Intake Manifold	V-6 Crossflow Exhaust Plate

PART No. 10-971 OEM No. 321907	PART No. 10-972 OEM No. 322858	PART No. 10-973 OEM No. 323469	PART No. 10-975 OEM No. 324670	PART No. 10-976 OEM No. 338484
V-6 Crossflow Reed	V-6 Crossflow Water Passage Cvr	V-4 Exhaust Crossflow	V-4/V-6 Crossflow & Looper Shift Housing	V-6 Crossflow Water Pump

PART No. 10-977 OEM No. 303355	PART No. 10-989 OEM No. 338879	PART No. 10-992 OEM No. 315538
Thermostat	Fuel Pump	2 Cyl. Water Jkt Cvr



Cometic Gasket - An Exclusive NASCAR Performance Product

JOHNSON / EVINRUDE

APPLICATION

Gasket and Seal Kits					
HP	Year	Cyl.	Kit with Head Gasket	Head	Seal Kit
150	60 Degree 1991-92	6	10-4371K	10-2745*	10-1777-1K
150	60 Degree 1993-00	6	10-4371K	10-2745*	10-1777K
150	Ficht FFI	6	10-4374K	10-2745*	10-1777K
175	1977-83 SB	6	10-4304K	10-967	10-1733-2K
175	1986-91 BB	6	10-4309K	10-3801	10-1733-2K
175	60 Degree 1991	6	10-4371K	10-2745*	10-1777K
175	60 Degree 1992-00	6	10-4371K	10-2745*	10-1777K
175	Ficht FFI	6	10-4374K	10-2745*	10-1777K
185	1976-85 X-FLOW	6	10-4304K	10-967	10-1733-2K
200	1976-83 SB	6	10-4304K	10-967	10-1733K
200	1985-87 SB	6	10-4308K	10-3838	10-1776K
200	1988-92 BB	6	10-4323K	10-3839	10-1776K
200	1993+ BB	6	10-4323-1K	10-919	10-1776K
225	1985-87 SB	6	10-4308K	10-3838	10-1776K
225	1988-92 BB	6	10-4323K	10-3839	10-1776K
225	1993+ BB	6	10-4323-1K	10-919	10-1776K
225	Ficht FFI 1999+	6	10-4323-2K	10-919	10-1776K
235	1978-79 SB X-FLOW	6	10-4304K	10-967	10-1733-2K
235	1980-85 BB	6	---	10-3801	10-1733K
250	2000 CARB ONLY	6	10-4323-1K	10-919	10-1776K
250	1990-93 BB	8	10-4320K	10-3885	10-1776K
300	1990-93 BB	8	10-4320K	10-3885	10-1776K
1.6L	1983-90	4	10-4303K	10-966	10-1733K
1.8L	1987	4	10-4310K	10-3837	10-1776K
2.0L	1988-90	4	10-4322K	10-2197	10-1776K
2.5L	1982-1985	6	10-4304K	10-967	10-1733-2K
2.7L	1987	6	10-4308K	10-3838	10-1776K
3.0L	1988-90	6	10-4323K	10-3839	10-1776K
3.3L	2000-2005	6	10-4323-3K	10-007	---
3.3L	2006+	6	10-4323-4K	10-007	---
3.6L	1985-87 SB LOOP	8	---	---	10-1776K
3.6L	1990-97 BB LOOP	8	10-4320K	10-3885	10-1776K

* O-Ring



WARNING: Cancer and Reproductive Harm www.P65Warnings.ca.gov



Cometic Gasket - An Exclusive NASCAR Performance Product

MERCURY

DESCRIPTION	OEM NO.	OUR PART NO.	DISTRIBUTOR	DEALER
All descriptions are for reference only.				
Gasket kits do not contain a seal kit.				
Power Head Kits				
3Cyl. "L" Motor Kit + O-rings	27-43004A99	10-004K		
4 Cyl. "L" Motor Kit + O-rings	27-13461A99	10-005K		
3 Cyl. 50-60 Hp 91+ Kit + O-rings	27-812867A97	10-047K		
3 Cyl. 30/40 Hp 1991+ Kit+ O-rings	27-822420A94	10-079K		
V-6 2.4 Complete Kit No H/Gs	27-89221A80	10-1716K		
V-6 2.4 Complete Kit No H/Gs	27-14697A87	10-2377K		
2.5L V-6 DFI 135,150	27-814754A00	10-2686K		
Late 2.0,2.4,2.5 Gasket Kit No Head Gaskets	27-815791A92	10-2689K		
3.0 V-6 1994-99 Kit + O-rings	27-814195A93	10-4312K		
3.0L V6 DFI	27-814195A97	10-4312-1K		
3.0L V6 DFI/Optimax	27-832934A98	10-4312-2K		
3.0L V-6 2000+ Kit	27-832934A00	10-4312-3K		
3 Cyl 50/70 Engine Kit + O-rings	27-69524A75	10-492K		
V-6 2.0L Kit + O-rings	27-90484A88	10-667K		
V-6 2.4L XR4 Kit+ O-rings	27-11338A88	10-668K		
V-6 2.4 Complete Kit 1983-90 + O-rings	27-89221A88	10-669K		
Sport Jet Power Head Kits				
Sport Jet 90 1993-00	27-809469A1	10-3350K		
Sport Jet 120 1995-00	27-809817A1	10-3355K		
Sport Jet 175 V-6	27-850396A1	10-3364K		
Sport Jet 175 2000-03	27-804852A1	10-3365K		
Sport Jet 200 DFI 2001-03	27-883298A1	10-3370K		
Sport Jet 210 Carb 2001-03	27-804985A1	10-3375K		
Sport Jet 240 EFI 2001-03	27-885214A1	10-3380K		
Sport Jet 3.0L DFI 250 HP	27-889439A01	10-3385K		

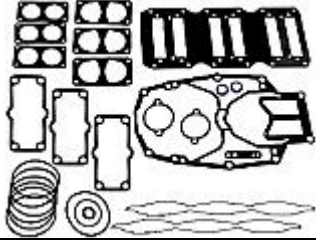
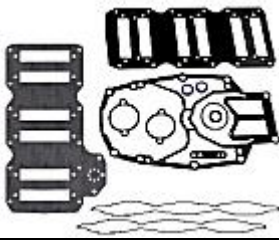
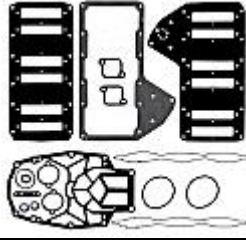
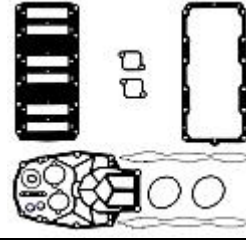
PART No. 10-004K OEM No. 27-43004A99	PART No. 10-005K OEM No. 27-13461A99	PART No. 10-047K OEM No. 27-812867A97	PART No. 10-079K OEM No. 27-822420A94
3Cyl. "L" Motor Kit + O-rings	4 Cyl. "L" Motor Kit + O-rings	3 Cyl. 50-60 Hp 91+ Kit + O-rings	3 Cyl. 30/40 Hp 1991+ Kit+ O-rings

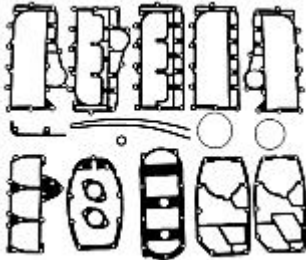
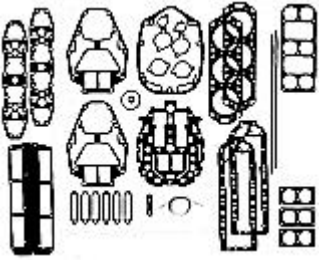
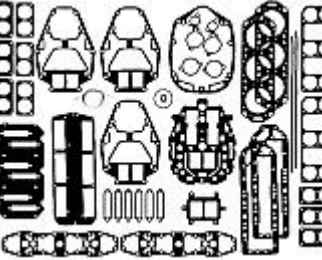
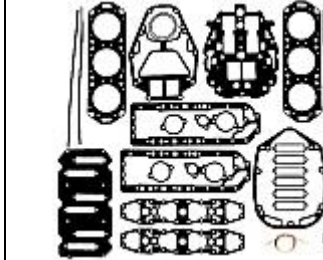
PART No. 10-1716K OEM No. 27-89221A80	PART No. 10-2377K OEM No. 27-14697A87	PART No. 10-2686K OEM No. 27-814754A00	PART No. 10-2689K OEM No. 27-815791A92	PART No. 10-2689-2K OEM No. 27-881805A01
V-6 2.4 Complete Kit No H/Gs	V-6 2.4 Complete Kit No H/Gs	2.5L V-6 DFI 135,150	Late 2.0,2.4,2.5 Gasket Kit No Head Gaskets	V6 2.5L DFI 200XS RACE



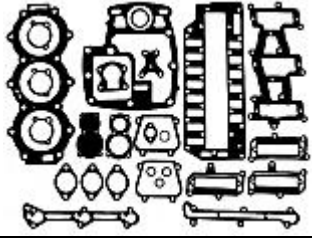
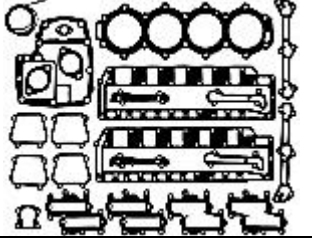
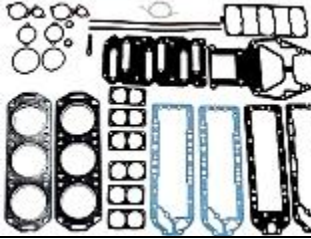
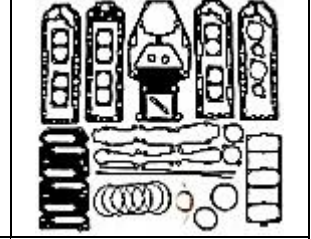
Cometic Gasket - An Exclusive NASCAR Performance Product

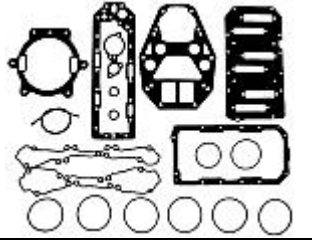
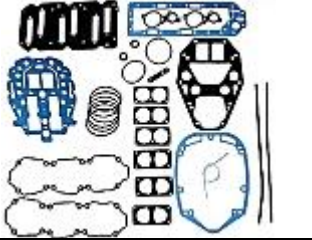
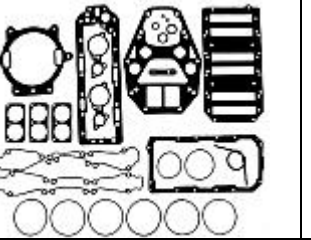
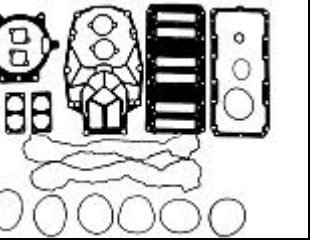
MERCURY

<p>PART No. 10-4312K OEM No. 27-814195A93</p>  <p>3.0 V-6 1994-99 Kit + O-rings</p>	<p>PART No. 10-4312-1K OEM No. 27-814195A97</p>  <p>3.0L V6 DFI</p>	<p>PART No. 10-4312-2K OEM No. 27-832934A98</p>  <p>3.0L V6 DFI/Optimax</p>	<p>PART No. 10-4312-3K OEM No. 27-832934A00</p>  <p>3.0L V-6 2000+ Kit</p>
--	--	---	---

<p>PART No. 10-492K OEM No. 27-69524A75</p>  <p>3 Cyl 50/70 Engine Kit + O-rings</p>	<p>PART No. 10-667K OEM No. 27-90484A88</p>  <p>V-6 2.0L Kit + O-rings</p>	<p>PART No. 10-668K OEM No. 27-11338A88</p>  <p>V-6 2.4L XR4 Kit+ O-rings</p>	<p>PART No. 10-669K OEM No. 27-89221A88</p>  <p>V-6 2.4 Complete Kit 1983-90 + O-rings</p>
---	---	---	---

SPORT JET POWER HEAD KITS

<p>PART No. 10-3350K OEM No. 27-809469A1</p>  <p>Sport Jet 90 1993-00</p>	<p>PART No. 10-3355K OEM No. 27-809817A1</p>  <p>Sport Jet 120 1995-00</p>	<p>PART No. 10-3364K OEM No. 27-850396A1</p>  <p>Sport Jet 175 V-6</p>	<p>PART No. 10-3365K OEM No. 27-804852A1</p>  <p>Sport Jet 175 2000-03</p>
--	---	--	---

<p>PART No. 10-3370K OEM No. 27-883298A1</p>  <p>Sport Jet 200 DFI 2001-03</p>	<p>PART No. 10-3375K OEM No. 27-804985A1</p>  <p>Sport Jet 210 Carb 2001-03</p>	<p>PART No. 10-3380K OEM No. 27-885214A1</p>  <p>Sport Jet 240 EFI 2001-03</p>	<p>PART No. 10-3385K OEM No. 27-889439A01</p>  <p>Sport Jet 3.0L DFI 250 HP</p>
---	--	--	--



Cometic Gasket - An Exclusive NASCAR Performance Product

MERCURY

DESCRIPTION	OEM NO.	OUR PART NO.	DISTRIBUTOR	DEALER
Race Power Head Kits				
2.5 Off-Shore Kit + HG's + O-rings	27-814658A3	10-2688K		
3.0L 300X KIT	27-832933A01	10-8577K		
Race 2.5L EFI/EFI Offshore Complete Kit	27-849770A1	10-9770K		
3.0L V-6 250XS	27-841220A03	10-4312-4K		

PART No. 10-2688K OEM No. 27-814658A3	PART No. 10-8577K OEM No. 27-832933A01	PART No. 10-9770K OEM No. 27-849770A1	PART No. 10-4312-4K OEM No. 27-841220A03
2.5 Off-Shore Kit + HG's + O-rings	3.0L 300X KIT	Race 2.5L EFI/EFI Offshore Complete Kit	3.0L V-6 250XS

DESCRIPTION	OEM NO.	OUR PART NO.	DISTRIBUTOR	DEALER
Head Gaskets				
2.4 Late Head Gasket .044 Thick	27-41246-1	10-246.044		
2.4 Late Head Gasket .052	27-41246-1	10-246.052		
2.4L HEAD GASKET W/DOWEL PINS		10-3871		
Early 2.4 V-6 Head Gasket	27-41245	10-3872		
2.0 Late Head Gasket	27-96281T01	10-542		
135/150/ XR-4 Head Gasket	27-18785	10-785		
H/G 2.5L .030 Thick	27-814658-.75	10-844.030		
H/G 2.5L .040 Thick	27-814658-1	10-844.040		
H/G 2.5 L .044 Thick	27-822844-1	10-844.044		
H/G 2.5 L .052 Thick	27-822844-1	10-844.052		
H/G 2.5 L .059 Thick	27-822844-1	10-844.059		

PART No. 10-246.044 OEM No. 27-41246-1	PART No. 10-246.052 OEM No. 27-41246-1	PART No. 10-3871	PART No. 10-3872 OEM No. 27-41245
2.4 Late Head Gasket .044 Thick	2.4 Late Head Gasket .052	2.4L HEAD GASKET W/DOWEL PINS	Early 2.4 V-6 Head Gasket

PART No. 10-542 OEM No. 27-96281T01	PART No. 10-785 OEM No. 27-18785	PART No. 10-844.030 OEM No. 27-814658-.75	PART No. 10-844.040 OEM No. 27-814658-1
2.0 Late Head Gasket	135/150/ XR-4 Head Gasket	H/G 2.5L .030 Thick	H/G 2.5L .040 Thick




PART No. 10-844.044 OEM No. 27-822844-1	PART No. 10-844.052 OEM No. 27-822844-1	PART No. 10-844.059 OEM No. 27-822844-1
H/G 2.5 L .044 Thick	H/G 2.5 L .052 Thick	H/G 2.5 L .059 Thick



Cometic Gasket - An Exclusive NASCAR Performance Product

MERCURY

DESCRIPTION	OEM NO.	OUR PART NO.	DISTRIBUTOR	DEALER
Seal Kits				
Seal Kit 40-300 Drag (Not L Motor)		10-2016-3K		
Crank Seal Kit 87+ L Motor		10-2017K		
3.0L Crank Seal Kit		10-2018K		
Individual Seals				
Mer L Motor Upper Seal	26-43993	10-1443		
V-6 Crank Seal	26-41953	10-230		
V-6 Crank Seal Viton	26-41953	10-230V		
3.0 L Upper Crank Seal	26-859093	10-8364		
3.0L Lower Crank Seal	26-830898	10-8365		

PART No. 10-2016-3K	PART No. 10-2017K	PART No. 10-2018K
		
Seal Kit 40-300 Drag (Not L Motor)	Crank Seal Kit 87+ L Motor	3.0L Crank Seal Kit

PART No. 10-1443 OEM No. 26-43993	PART No. 10-230 OEM No. 26-41953	PART No. 10-230V OEM No. 26-41953	PART No. 10-8364 OEM No. 26-859093	PART No. 10-8365 OEM No. 26-830898
				
Mer L Motor Upper Seal	V-6 Crank Seal	V-6 Crank Seal Viton	3.0 L Upper Crank Seal	3.0L Lower Crank Seal



Cometic Gasket - An Exclusive NASCAR Performance Product

MERCURY

DESCRIPTION	OEM NO.	OUR PART NO.	DISTRIBUTOR	DEALER
Individual O-rings				
2.5 Crank O-ring	25-54030	10-1079		
Oil Pump Shaft O-ring	25-62705	10-161		
3 Cyl. Lower O-ring	25-32546	10-218		
3/4 Cyl. Inline Lower O-ring	25-89224	10-2406		
3.0 L Lower Cap Seal O-ring	25-35126	10-2408		
Race Fuel Injector Seal	26-94219	10-2704		
3 Cyl. 91+ O-ring	25-90011	10-274		
V-6 Upper & 3 L Lower O-Ring	25-62700	10-425		
V-6 Lower Main Bearing O-ring	25-54029	10-428		
3.0L Cyl. Sealing Ring	884391	10-4391		
3 Cyl. Upper O-ring	25-64966	10-448		
V-6 3.0L Thottle Body O-ring	25-855426	10-5426		
V-6 2.5L Thottle Body O-ring	25-855423	10-5428		
4/6 Inline O-ring	25-32546	10-7161		
4/6 Inline O-ring	25-47254	10-7167		
3/4 Inline & 3.0L Upper O-ring	25-823683	10-7414		
2.5 V-6 Water Jacket Seal	858452 1	10-8452		
Race 2.5L EFI/EFI Offshore Head O-ring	26-849616	10-8453		
3.0L Cylinder O-Ring	878453	10-8454		
3.0L V-6 Cylinder O-Ring	25-818573	10-8573		
3.0L V-6 Water Jacket Seal O-Ring	818574	10-8574		
Race 2.5L EFI/EFI Offshore Cyl O-ring	25-817574	10-9771		
2.5 V-6 Cyl. O-ring 2000+	859772 1	10-9772		

PART No. 10-1079 OEM No. 25-54030	PART No. 10-161 OEM No. 25-62705	PART No. 10-218 OEM No. 25-32546	PART No. 10-2406 OEM No. 25-89224	PART No. 10-2408 OEM No. 25-35126	PART No. 10-2704 OEM No. 26-94219
2.5 Crank O-ring	Oil Pump Shaft O-ring	3 Cyl. Lower O-ring	3/4 Cyl. Inline Lower O-ring	3.0 L Lower Cap Seal O-ring	Race Fuel Injector Seal

PART No. 10-274 OEM No. 25-90011	PART No. 10-425 OEM No. 25-62700	PART No. 10-428 OEM No. 25-54029	PART No. 10-4391 OEM No. 884391	PART No. 10-448 OEM No. 25-64966	PART No. 10-5426 OEM No. 25-855426
3 Cyl. 91+ O-ring	V-6 Upper & 3 L Lower O-Ring	V-6 Lower Main Bearing O-ring	3.0L Cyl. Sealing Ring	3 Cyl. Upper O-ring	V-6 3.0L Thottle Body O-ring

PART No. 10-5428 OEM No. 25-855423	PART No. 10-7161 OEM No. 25-32546	PART No. 10-7167 OEM No. 25-47254	PART No. 10-7414 OEM No. 25-823683	PART No. 10-8452 OEM No. 858452 1	PART No. 10-8453 OEM No. 26-849616
V-6 2.5L Thottle Body O-ring	4/6 Inline O-ring	4/6 Inline O-ring	3/4 Inline & 3.0L Upper O-ring	2.5 V-6 Water Jacket Seal	Race 2.5L EFI/EFI Offshore Head O-ring



Cometic Gasket - An Exclusive NASCAR Performance Product

MERCURY

PART No. 10-8454 OEM No. 878453	PART No. 10-8573 OEM No. 25-818573	PART No. 10-8574 OEM No. 818574	PART No. 10-9771 OEM No. 25-817574	PART No. 10-9772 OEM No. 859772 1
3.0L Cylinder O-Ring	3.0L V-6 Cylinder O-Ring	3.0L V-6 Water Jacket Seal O-Ring	Race 2.5L EFI/EFI Offshore Cyl O-ring	2.5 V-6 Cyl. O-ring 2000+

DESCRIPTION	OEM NO.	OUR PART NO.	DISTRIBUTOR	DEALER
Fuel Pump Kit				
Fuel Pump Kit	21-857005A 1	10-1812K		
Carb Gasket Kits				
Carb Gasket Kit	1395-6452	10-7005K		
2,3,4 Cyl L Motor Carb Kit	1395-811223-1	10-7211K		
V-6 3.0 L 1996+ Carb Gasket Kit	810749-2	10-7213K		
2.5 & 3.0L 1996+ Carb Gasket Kit	810749-3	10-7214K		

PART No. 10-1812K
OEM No. 21-857005A
1

Fuel Pump Kit

PART No. 10-7005K OEM No. 1395-6452	PART No. 10-7211K OEM No. 1395-811223-1	PART No. 10-7213K OEM No. 810749-2	PART No. 10-7214K OEM No. 810749-3
Carb Gasket Kit	2,3,4 Cyl L Motor Carb Kit	V-6 3.0 L 1996+ Carb Gasket Kit	2.5 & 3.0L 1996+ Carb Gasket Kit



Cometic Gasket - An Exclusive NASCAR Performance Product

MERCURY

DESCRIPTION	OEM NO.	OUR PART NO.	DISTRIBUTOR	DEALER
Individual Merc Gaskets				
90-115 HP DFI Reed	27-880122	10-0122		
Drive Shaft Plate	27-75786	10-1062		
Cork Washer	1399-5207	10-138		
Cork Strip 10"	27-55158	10-1413		
Cork Strip 16"	27-53650	10-1414		
Cork Strip 13"	27-60286	10-1415		
Washer	19643	10-1436		
Inline 4 Reed Block	27-13937	10-1473		
Inline 4 Carb Base	27-15172-4	10-1476		
Inline 4 Thermostat	27-43006-8	10-1480		
Inline 4 Base L4	27-43007-5	10-1481		
Pump to Face Plate	27-43034	10-1484		
Fuel pump Base	27-98769	10-1487		
Exhaust manifold	27-68715	10-1494		
Adapter/Megaphone	27-78246	10-2190		
Exhaust Manifold	27-815528	10-2389		
3 Cyl. Exhaust Cvr L3	27-43004-7	10-2399		
3 Cyl. Head Cover L3	27-43005-7	10-2400		
Face Plate To Water Pump	27-817277	10-2401		
Water Jacket Cvr L4	27-44328-4	10-2402		
Inline 4 Exhaust Plate	27-13958-1	10-2403		
Inline 4 Exhaust Plate L4	27-812775-5	10-2404		
In Line 4 Exhaust	27-812775-4	10-2405		
Inline 4 Intake Manifold	27-13461-2	10-2407		
V-6 Inj. To Reed Manifold	27-825815	10-2581		
Late V-6 Performance Base AFM-20	27-823142-2	10-2693		
2.5 Pro Max Exhaust Plate OEM Mat'l	27-847525-1	10-2701		
MER EXHAUST PLATE HIGH-PERFORMANCE		10-2701-1		
Pro Max 7 Petal Reed Block OEM Material	27-12775-4	10-2702		
Pro Max 225+ Plenum Air Horn OEM Mat'l	27-99316-3	10-2703		
2.5 280 & Drag Exhaust Divider Cvr	27-847525-2	10-2706		
300X Intake / Reed	27-804680	10-2707		
300X Plenum Air Horn	27-804679-3	10-2708		
2.5 V-6 Intake/Reed	27-883775	10-2710		
V-6 135/150 & Xr6 Intake	27-14697-2	10-2711		
V-6 Intake Gasket 2.5 EFI	27-16737 1	10-2712		
V-6 2.5 Base under Adapter	27-18307-6	10-2714		
V-6 2.5 Exhaust Divider Plate	27-19050-3	10-2715		
Sport Jet 175 Exhaust Cvr	27-855874	10-2716		
Sport Jet 175 Exhaust Divider Plate	27-19050--7	10-2717		
Sport Jet 175 Power Head Base	27-830242	10-2718		
Sport Jet Expansion Chamber 200-250 Hp. 2001-03	27-880738	10-2720		
2.5 Race DFI Air Handler	27-840485	10-2721		
2.5 Race DFI Reed 200XS,225 Pro Max, 240 SJ	27-840484	10-2722		
2.5 DFI Air Handler 115-200 Hp	27-850058	10-2723		
2.5 DFI 115-200 Hp Reed	27-14697-3	10-2724		
Reed 250SX 3.0L	27-841220	10-2725		
Reed 200-225 DFI	27-850283	10-2726		
Exhaust Divider Plate	27-19050 6	10-2727		
Inline 6 Block Cover	27-98185	10-2807		



Cometic Gasket - An Exclusive NASCAR Performance Product

MERCURY

DESCRIPTION	OEM NO.	OUR PART NO.	DISTRIBUTOR	DEALER
Individual Merc Gaskets (continued)				
Inline 4/6 Base	27-69238-1	10-319		
Thermostat Gasket	27-62386	10-424		
Water Jkt Head Cvr Diamond Edge	27-65788	10-429		
200/225 Reed Block 7 Petal	27-12775	10-432		
Cork seal	27-53650	10-438		
Cyl. Block Cvr	27-96171	10-439		
Cork Seal	27-60286	10-447		
Cylinder Block Cover	27-43779-2	10-449		
Baffle Plate	27-70335-1	10-450		
Transfer Port Cvr	27-27936	10-463		
Transfer Cover	27-60311	10-484		
Base	27-60317	10-485		
Exhaust	27-64859	10-488		
65 hp Baffle Plate	27-60308	10-489		
Exhaust	27-60309	10-490		
2,3 Cyl. Powerhead Base	27-828553	10-553		
2,3,4 Cyl. Adapter Plate	27-38501	10-606		
Cork Seal	27-53862	10-607		
Carb/Injection Base S/A 8258	27-67751-1	10-610		
Water Pump Body	27-32438	10-611		
Carb Base Early	27-48164	10-616		
Carb Base 30-60 Hp Late	27-814446	10-618		
Power Head to Plate	27-62860	10-620		
45/60 Carb Flange	27-63309	10-621		
In/Reed 2L 150 H/P	27-93536	10-623		
6 Cyl. Water Jkt Cvr.	27-72142	10-624		
50/60 HP 3 Cyl. Carb Base	27-73377	10-627		
45/50 HP 4 Cyl. Carb Flange	27-75791	10-629		
3 Cyl. Transfer Passage Cover	27-76862	10-632		
Small hole exhaust V-6 Base	27-823142	10-638		
50/60 3 Cyl. Power Head Mount	27-88451	10-643		
Block Cvr	27-60310	10-652		
Divider Plate	27-90484	10-654		
V-6 3.0L Oil Pump Mount DFI	27-856542	10-6542		
V-6 3.0L Oil Pump Mount DFI	27-856542 1	10-6542-1		
Relief Valve	27-78690	10-657		
Carb Mount	27-90430	10-660		
Water Pump Base	27-85610	10-666		
Water Pump	27-85608	10-671		
3 Cyl. Head Cover	27-69524	10-673		
Exhaust Cvr	27-69525-2	10-674		
Base Laser small hole	27-99176-3	10-677		
Base Under Adapter	27-99177	10-678		
V-6 Driveshaft Housing	27-99173	10-679		
Large hole exhaust plate	27-99176	10-680		
200/225 H/P Carb	27-89221-1	10-681		
Popet Valve Same as 10-8890	27-88907-1	10-683		
Reed Block	27-96761	10-684		
Water Jacket	27-96278	10-685		
Cork Seal	27-11338	10-686		
Choke Plate to Carb	27-67274-1	10-687		




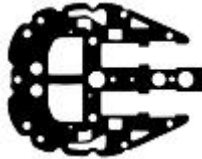
WARNING: Cancer and Reproductive Harm www.P65Warnings.ca.gov







Cometic Gasket - An Exclusive NASCAR Performance Product

MERCURY

DESCRIPTION	OEM NO.	OUR PART NO.	DISTRIBUTOR	DEALER
Individual Merc Gaskets (continued)				
Reed Block V-6	27-65744	10-689		
3 Cyl 91+ Thermostat	27-812867-1	10-8127		
3 Cyl 91+ Thermostat	27-812867-2	10-8128		
3.0 BASE	27-813932-1	10-813		
3.0 Reed	27-814195-1	10-8195		
2 Cyl. Intake	27-821370	10-8213		
Carb/Inj. Base	27-67751	10-8258		
Thermostat Gasket	27-827284	10-8272		
Carb Mount	27-828292	10-8292		
3.0 L Base Late	27-832933-5	10-832		
250XS Base	27-832933-006	10-833		
3.0L DFI Reed Block	27-834826	10-8348		
Reed	27-850282	10-8582		
Plenum	27-850292	10-8592		
Engine Adapter	27-859398	10-8593		
Jet Drive Housing To Top Cover	859452	10-8594		
3 Cyl. 30/60 Hp. Reed 91+Up Inner	27-812868	10-868		
3 Cyl.30/60 Reed 91+Up Outer	27-812869	10-869		
Base 3.4 Liter	27-43877	10-877		
Popet Valve Same as 10-683	27-88907-1	10-8890		
Powerhead Base Adapter	27-832934-4	10-934		
V-6 2.0, 2.4, 2.5 Divider Hose Seal	26-814754	10-942		
3.0L Thermostat Seal	26-854639/26-854639001	10-9768		
3.0L Thermostat Cover	27-850318	10-9769		
90-115 HP DFI Reed Block	27-879840	10-9840		
90-115 HP DFI Reed Adapter Plate	27-879843	10-9843		
90-115 HP Thermostat	27-879855	10-9855		

PART No. 10-0122 OEM No. 27-880122	PART No. 10-1062 OEM No. 27-75786
	
90-115 HP DFI Reed	Drive Shaft Plate

PART No. 10-138 OEM No. 1399-5207	PART No. 10-1413 OEM No. 27-55158	PART No. 10-1414 OEM No. 27-53650	PART No. 10-1415 OEM No. 27-60286
			
Cork Washer	Cork Strip 10"	Cork Strip 16"	Cork Strip 13"

MERCURY

PART No. 10-1436 OEM No. 19643	PART No. 10-1473 OEM No. 27-13937	PART No. 10-1476 OEM No. 27-15172-4	PART No. 10-1480 OEM No. 27-43006-8	PART No. 10-1481 OEM No. 27-43007-5
Washer	Inline 4 Reed Block	Inline 4 Carb Base	Inline 4 Thermostat	Inline 4 Base L4

PART No. 10-1484 OEM No. 27-43034	PART No. 10-1487 OEM No. 27-98769	PART No. 10-1494 OEM No. 27-68715	PART No. 10-2190 OEM No. 27-78246
Pump to Face Plate	Fuel pump Base	Exhaust manifold	Adapter/Megaphone

PART No. 10-2389 OEM No. 27-815528	PART No. 10-2399 OEM No. 27-43004-7	PART No. 10-2400 OEM No. 27-43005-7	PART No. 10-2401 OEM No. 27-817277	PART No. 10-2402 OEM No. 27-44328-4
Exhaust Manifold	3 Cyl. Exhaust Cvr L3	3 Cyl. Head Cover L3	Face Plate To Water Pump	Water Jacket Cvr L4

PART No. 10-2403 OEM No. 27-13958-1	PART No. 10-2404 OEM No. 27-812775-5	PART No. 10-2405 OEM No. 27-812775-4	PART No. 10-2407 OEM No. 27-13461-2	PART No. 10-2581 OEM No. 27-825815
Inline 4 Exhaust Plate	Inline 4 Exhaust Plate L4	In Line 4 Exhaust	Inline 4 Intake Manifold	V-6 Inj. To Reed Manifold

PART No. 10-2693 OEM No. 27-823142-2	PART No. 10-2701 OEM No. 27-847525-1	PART No. 10-2701-1	PART No. 10-2702 OEM No. 27-12775-4	PART No. 10-2703 OEM No. 27-99316-3
Late V-6 Performance Base AFM-20	2.5 Pro Max Exhaust Plate OEM Mat'l	MER EXHAUST PLATE HIGH-PERFORMANCE	Pro Max 7 Petal Reed Block OEM Material	Pro Max 225+ Plenum Air Horn OEM Mat'l

MERCURY

PART No. 10-2706 OEM No. 27-847525-2	PART No. 10-2707 OEM No. 27-804680	PART No. 10-2708 OEM No. 27-804679-3	PART No. 10-2710 OEM No. 27-883775	PART No. 10-2711 OEM No. 27-14697-2	PART No. 10-2712 OEM No. 27-16737 1
2.5 280 & Drag Exhaust Divider Cvr	300X Intake / Reed	300X Plenum Air Horn	2.5 V-6 Intake/Reed	V-6 135/150 & Xr6 Intake	V-6 Intake Gasket 2.5 EFI

PART No. 10-2713 OEM No. 27-1888901	PART No. 10-2714 OEM No. 27-18307-6	PART No. 10-2715 OEM No. 27-19050-3	PART No. 10-2716 OEM No. 27-855874	PART No. 10-2717 OEM No. 27-19050--7
V-6 Airbox Gasket	V-6 2.5 Base under Adapter	V-6 2.5 Exhaust Divider Plate	Sport Jet 175 Exhaust Cvr	Sport Jet 175 Exhaust Divider Plate

PART No. 10-2718 OEM No. 27-830242	PART No. 10-2720 OEM No. 27-880738	PART No. 10-2721 OEM No. 27-840485	PART No. 10-2722 OEM No. 27-840484	PART No. 10-2723 OEM No. 27-850058
Sport Jet 175 Power Head Base	Sport Jet Expansion Chamber 200-250 Hp. 2001-03	2.5 Race DFI Air Handler	2.5 Race DFI Reed 200XS,225 Pro Max, 240 SJ	2.5 DFI Air Handler 115-200 Hp

PART No. 10-2724 OEM No. 27-14697-3	PART No. 10-2725 OEM No. 27-841220	PART No. 10-2726 OEM No. 27-850283	PART No. 10-2727 OEM No. 27-19050 6	PART No. 10-2807 OEM No. 27-98185
2.5 DFI 115-200 Hp Reed	Reed 250SX 3.0L	Reed 200-225 DFI	Exhaust Divider Plate	Inline 6 Block Cover



Cometic Gasket - An Exclusive NASCAR Performance Product

MERCURY

PART No. 10-319 OEM No. 27-69238-1	PART No. 10-3246 OEM No. 27-856705	PART No. 10-424 OEM No. 27-62386	PART No. 10-429 OEM No. 27-65788	PART No. 10-432 OEM No. 27-12775	PART No. 10-438 OEM No. 27-53650
Inline 4/6 Base	MER EXHAUST HEAD PIPE	Thermostat Gasket	Water Jkt Head Cvr Diamond Edge	200/225 Reed Block 7 Petal	Cork seal

PART No. 10-439 OEM No. 27-96171	PART No. 10-447 OEM No. 27-60286	PART No. 10-449 OEM No. 27-43779-2	PART No. 10-450 OEM No. 27-70335-1	PART No. 10-463 OEM No. 27-27936
Cyl. Block Cvr	Cork Seal	Cylinder Block Cover	Baffle Plate	Transfer Port Cvr

PART No. 10-484 OEM No. 27-60311	PART No. 10-485 OEM No. 27-60317	PART No. 10-488 OEM No. 27-64859	PART No. 10-489 OEM No. 27-60308	PART No. 10-490 OEM No. 27-60309
Transfer Cover	Base	Exhaust	65 hp Baffle Plate	Exhaust

PART No. 10-553 OEM No. 27-828553	PART No. 10-606 OEM No. 27-38501	PART No. 10-607 OEM No. 27-53862	PART No. 10-610 OEM No. 27-67751-1	PART No. 10-611 OEM No. 27-32438
2,3 Cyl. Powerhead Base	2,3,4 Cyl. Adapter Plate	Cork Seal	Carb/Injection Base S/A 8258	Water Pump Body

MERCURY

PART No. 10-616 OEM No. 27-48164	PART No. 10-618 OEM No. 27-814446	PART No. 10-620 OEM No. 27-62860	PART No. 10-621 OEM No. 27-63309	PART No. 10-623 OEM No. 27-93536
Carb Base Early	Carb Base 30-60 Hp Late	Power Head to Plate	45/60 Carb Flange	In/Reed 2L 150 H/P

PART No. 10-624 OEM No. 27-72142	PART No. 10-627 OEM No. 27-73377	PART No. 10-629 OEM No. 27-75791	PART No. 10-632 OEM No. 27-76862	PART No. 10-638 OEM No. 27-823142
6 Cyl. Water Jkt Cvr.	50/60 HP 3 Cyl. Carb Base	45/50 HP 4 Cyl. Carb Flange	3 Cyl. Transfer Passage Cover	Small hole exhaust V-6 Base

PART No. 10-643 OEM No. 27-88451	PART No. 10-652 OEM No. 27-60310	PART No. 10-654 OEM No. 27-90484	PART No. 10-6542 OEM No. 27-856542	PART No. 10-6542-1 OEM No. 27-856542 1
50/60 3 Cyl. Power Head Mount	Block Cvr	Divider Plate	V-6 3.0L Oil Pump Mount DFI	V-6 3.0L Oil Pump Mount DFI

PART No. 10-657 OEM No. 27-78690	PART No. 10-660 OEM No. 27-90430	PART No. 10-666 OEM No. 27-85610	PART No. 10-671 OEM No. 27-85608	PART No. 10-673 OEM No. 27-69524
Relief Valve	Carb Mount	Water Pump Base	Water Pump	3 Cyl. Head Cover

MERCURY

PART No. 10-674 OEM No. 27-69525-2	PART No. 10-677 OEM No. 27-99176-3	PART No. 10-678 OEM No. 27-99177	PART No. 10-679 OEM No. 27-99173	PART No. 10-680 OEM No. 27-99176
Exhaust Cvr	Base Laser small hole	Base Under Adapter	V-6 Driveshaft Housing	Large hole exhaust plate

PART No. 10-681 OEM No. 27-89221-1	PART No. 10-683 OEM No. 27-88907-1	PART No. 10-684 OEM No. 27-96761	PART No. 10-685 OEM No. 27-96278	PART No. 10-686 OEM No. 27-11338
200/225 H/P Carb	Popet Valve Same as 10-8890	Reed Block	Water Jacket	Cork Seal

PART No. 10-687 OEM No. 27-67274-1	PART No. 10-689 OEM No. 27-65744	PART No. 10-8127 OEM No. 27-812867-1	PART No. 10-8128 OEM No. 27-812867-2	PART No. 10-813 OEM No. 27-813932-1
Choke Plate to Carb	Reed Block V-6	3 Cyl 91+ Thermostat	3 Cyl 91+ Thermostat	3.0 BASE

PART No. 10-8195 OEM No. 27-814195-1	PART No. 10-8213 OEM No. 27-821370	PART No. 10-8248	PART No. 10-8258 OEM No. 27-67751	PART No. 10-8272 OEM No. 27-827284	PART No. 10-8292 OEM No. 27-828292
3.0 Reed	2 Cyl. Intake	THERMOSTAT COVER	Carb/Inj. Base	Thermostat Gasket	Carb Mount

MERCURY

PART No. 10-832 OEM No. 27-832933-5	PART No. 10-833 OEM No. 27-832933-006	PART No. 10-8348 OEM No. 27-834826	PART No. 10-8570	PART No. 10-8582 OEM No. 27-850282
3.0 L Base Late	250XS Base	3.0L DFI Reed Block	EXHAUST COVER GASKET	Reed

PART No. 10-8592 OEM No. 27-850292	PART No. 10-8593 OEM No. 27-859398	PART No. 10-8594 OEM No. 859452	PART No. 10-868 OEM No. 27-812868	PART No. 10-869 OEM No. 27-812869
Plenum	Engine Adapter	Jet Drive Housing To Top Cover	3 Cyl. 30/60 Hp. Reed 91+Up Inner	3 Cyl. 30/60 Reed 91+Up Outer

PART No. 10-877 OEM No. 27-43877	PART No. 10-8890 OEM No. 27-88907-1	PART No. 10-934 OEM No. 27-832934-4
Base 3.4 Liter	Popet Valve Same as 10-683	Powerhead Base Adapter

PART No. 10-942 OEM No. 26-814754	PART No. 10-9768 OEM No. 26-854639/26-854639001	PART No. 10-9769 OEM No. 27-850318
V-6 2.0, 2.4, 2.5 Divider Hose Seal	3.0L Thermostat Seal	3.0L Thermostat Cover

PART No. 10-9840 OEM No. 27-879840	PART No. 10-9843 OEM No. 27-879843	PART No. 10-9855 OEM No. 27-879855
90-115 HP DFI Reed Block	90-115 HP DFI Reed Adapter Plate	90-115 HP Thermostat



Cometic Gasket - An Exclusive NASCAR Performance Product

MERCURY

APPLICATION

Gasket and Seal Kits

HP	Year	Cyl.	Serial Number	Gasket Kit	Head	Seal Kit
20	1973-77	2	337531-4709592	---	---	10-2016-3K
35	1972-88	2	6445653-B10788	---	---	10-2016-3K
30-40	1991+	2	---	10-079K	---	10-2016-3K
40		2	---	---	---	10-2016-3K
45/50	1968-95	4	2116318-B110788	---	---	10-2016-3K
50	1984-88	3	6428681-B122929	10-492K	---	10-2016-3K
60	1984-88	3	6428681-B122929	10-492K	---	10-2016-3K
50/60	1991+	3	D000750 & Up	10-047K	---	10-2016-3K
65	1972-75	3	3293184-4382056	10-492K	---	10-2016-3K
65	1976-77	3	4382057-4571621	10-492K	---	10-2016-3K
70	1977-83	3	4571652-6428600	10-492K	---	10-2016-3K
70	1987+	3	A996142 & Up	10-004K	---	10-2017K
75	1975+	4	6432901 & Up	---	---	10-2016-3K
75	1990+	3	A996142 & Up	10-004K	---	10-2017K
80	1969-72	4	2559001-34936912	---	---	10-2016-3K
80	1978-83	4	4831999-6432900	---	---	10-2016-3K
85	1987-92	3	A996142 & Up	10-004K	---	10-2017K
85	1973-85	4	3493913-4366801	---	---	10-2016-3K
85	1976-78	4	4366802-4831998	---	---	10-2016-3K
90	1975-86	6 inline	4845301-5299505	---	---	10-2016-3K
90	1987-96	3	A996142 & Up	10-004K	---	10-2017K
110/115	1988+	4	B209468 & Up	10-005K	---	10-2017K
115	1975-88	6 inline	3525441-4855152	---	---	10-2016-3K
115-175 DFI		V6 / 2.5L		10-2686K	10-9772*	10-2016-3K
125	1994+	4	D283222 & Up	10-005K	---	10-2017K
135	1986-90	V6 / 2.0L	A904646-C239552	10-667K	10-542	10-2016-3K
135	1991+	V6	C239553 & Up	10-2686K	10-785	10-2016-3K
140	1978-81	6 inline	329234-3502805	---	---	10-2016-3K
150	1974-78	6 inline	3502806-4868997	---	---	10-2016-3K
150	1983-90	V6 / 2.0L	6042946-C239552	10-667K	10-542	10-2016-3K
150	1991+	V6 / 2.0L	C239553 & Up	10-2686K	10-785	10-2016-3K
150	XR4 1988-91	V6 / 2.4L	B242885-C239551	10-668K	10-246	10-2016-3K
175	1976-84	V6 / 2.0L	4301235-6618750	---	---	10-2016-3K
175	1985-91	V6 / 2.4L	6618751-C239552	10-668K	10-246	10-2016-1K
175	1992+	V6 / 2.5L	C239553 & Up	10-2686K	10-844	10-2016-3K
200	1978-81	V6 / 2.4L	4839034-5363917	10-1716K	10-9772*	10-2016-3K
200	1982	V6 / 2.4L	6073192-6203990	10-1716K	10-246	10-2016-3K
200	1983+	V6 / 2.4L	6203991 & Up	10-669K	10-246	10-2016-3K
200	1992+	V6 / 2.5L	D082000 & Up	10-2686K		10-2016-3K
220	1987-88	V6 / 2.4L	B117316 & Up	10-2377K	10-246	10-2016-3K
225	1980-93	V6 / 2.4L	5628028-D280812	10-1716K	10-9772*	10-2016-3K
225	3.0L CARB	V6 / 3.0L	OD280813-OG760299	10-4312K	10-8573*	10-2018K
225	3.0L CARB	V6 / 3.0L	OG245605-OT408999	10-4312K	10-8573*	10-2018K
225	3.0L EFI	V6 / 3.0L	OG76300-OT408999	10-4312K	10-8573*	10-2018K
225	3.0L EFI	V6 / 3.0L	OT409000-UP	10-4312-3K	SEE NOTE	10-2018K
225	3.0L DFI	V6 / 3.0L	OG960500-OT801000 & Up	10-4312-3K	SEE NOTE	10-2018K
225	3.0L DFI	V6 / 3.0L	OG590000-OG960499	10-4312-2K	SEE NOTE	10-2018K
XR6	1992+	V6 / 2.5L	D082000 & Up	10-2686K	10-844	10-2016-3K
255	3.0L DFI, DTS	V6 / 3.0L	OT599000 & Up	10-4312-3K	SEE NOTE	10-2018K
225-250	3.0L EFI	V6 / 3.0L	OT1292222-OT408999	10-4312K	---	10-2018K



Cometic Gasket - An Exclusive NASCAR Performance Product

MERCURY

APPLICATION (continued)

240	Sport Jet EFI	V6	2001-2003	10-3380K	10-9772*	10-2016-3K
250	XB 3.0L	V6 / 3.0L	OG980600-OT800999	10-4312K	10-8573*	10-2018K
250	3.0L EFI	V6 / 3.0L	OT409000-OT800999 & Up	10-4312-3K	SEE NOTE	10-2018K
250	Sport Jet DFI	V6 / 3.0L	---	10-3385K	10-4391*	10-2018K
260-280	HiPerf	V6 / 2.5L EFI	OG367000-OG85699 & Up	10-2688K	10-844	10-2016K
200-250	2000+	V6 / 3.0L	---	10-8577K	10-8573*	10-2018K
200-300	1994-99	V6 / 3.0L	---	10-4312K	10-8573*	10-2018K
300	EFI	V6 / 3.0L	OG610221-OT105297	10-4312K	10-8573*	10-2018K
300X	EFI	V6 / 3.0L	OT235084-OT429940 & Up	10-4312-3K	SEE NOTE	10-2018K

* O-Ring

NOTE: Indicated kits are sold without cylinder head O-ring; order correct ring for your application from the chart below:

Mercury 3.0L Cylinder Head Seals Application			
Year and Model	S/N Range	OEM Part Number	GT Part Number
1994-2001 Carb/SeaPro/Marathon	OD280813-OT408999	818573	10-8573
1995-2001EFI	OG129222-OT408999	818573	10-8573
2002 EFI	OT409000-OT408999	878453	10-8454
2003 EFI	OT599000 & Above	884391	10-4391
1998-2000 Optimax	OG5990000-OT178499	818573	10-8573
2001-2002 Optimax	OT178500-OT598999	878453	10-8454
2002 Jet Drive	OE407100 & Above	884391	10-4391
2330 Optimax	OT599000 & Above	884391	10-4391

Sport Jet Gasket and Seal Kits						
HP	Year	Cyl.	Gasket Kit	Head	Seal Kit	Fuel Pump
90	1993-00	3	Sport Jet 90 HP	10-3350K	10-369	10-2016-3K
120	1995-00	4	Sport Jet 120 HP	10-3355K	10-476	10-2016-3K
175		6	Sport Jet 175 HP	10-3364K	10-844	10-2016-3K
175	2000-03	6	Sport Jet 175 HP	10-3365K	10-9772*	10-2016-3K
200	2001-03	6	Sport Jet 200 HP	10-3370K	10-9772*	10-2016-3K
210	2001-03	6	Sport Jet 210 HP	10-3375K	10-9772*	10-2016-3K
240	2001-03	6	Sport Jet 240 HP EFI	10-3380K	10-9772*	10-2016-3K
250		6	Sport Jet 250 HP 3.0L	10-3385K	10-4391*	10-2016-3K
Race Power Head Kits						
260		V6 / 2.5L	2.5 Off Shore Kit + HGs + O Rings	10-2688K	10-844	10-2016-3K
300		V6 / 3.0L	3.0L 300X Kit	10-8577K	10-4391*	10-2018K
280 / 300		V6 / 2.5L EFI	Race 2.5L EFI Off Shore Complete Kit	10-9770K	10-9771*	10-2016-3K
		V6 / 3.0L	3.0L v-6 250 XS	10-4312-4K	10-4391*	10-2018K



NISSAN / TOHATSU

DESCRIPTION	OEM NO.	OUR PART NO.	DISTRIBUTOR	DEALER
All descriptions are for reference only.				
Gasket kits contain a seal kit.				
Power Head Kits				
40/50 Hp Complete Kit		10-7480K		
60/70 Complete Kit	3F3871210M	10-7280K		
90 Hp Complete Kit Pre-1999	3B7-87121-1	10-7380K		
Head Gaskets				
60/70 Head Gasket	3F3-01005-0	10-7200		
90 HP Head Gasket	3B7-01005-0	10-7300		
40/50 Head Gasket	3C8-010053	10-7400		

PART No. 10-7480K	PART No. 10-7280K OEM No. 3F3871210M	PART No. 10-7380K OEM No. 3B7-87121-1
40/50 Hp Complete Kit	60/70 Complete Kit	90 Hp Complete Kit Pre-1999

PART No. 10-7200 OEM No. 3F3-01005-0	PART No. 10-7300 OEM No. 3B7-01005-0	PART No. 10-7400 OEM No. 3C8-010053
60/70 Head Gasket	90 HP Head Gasket	40/50 Head Gasket



Cometic Gasket - An Exclusive NASCAR Performance Product

NISSAN / TOHATSU

DESCRIPTION	OEM NO.	OUR PART NO.	DISTRIBUTOR	DEALER
Oil Seal Kits				
40/50 Hp Oil Seal Kit		10-7470K		
60/70 Hp Oil Seal Kit		10-7270K		
90 HP Oil Seal Kit		10-7370K		
Individual Oil Seals				
Upper Crank Oil Seal 60/70 Hp	353-00121	10-7272		
Lower Crank Oil Seal 60/70 Hp	126-00121	10-7274		
Lower Crank Oil Seal 60/70 Hp	3F3-01215	10-7276		
Lower Crank Oil Seal 90 Hp	3B7-00121	10-7372		
Lower Crank Oil Seal 90 Hp Pre-1999	3B701215	10-7374		
Lower Crank Oil Seal 90 Hp 1999+	3C7-01215	10-7375		
Oil Seal	334-00122	10-7472		
Oil Seal	3C8-01215	10-7474		
Oil Seal	3C8-00121	10-7476		

PART No. 10-7470K	PART No. 10-7270K	PART No. 10-7370K
40/50 Hp Oil Seal Kit	60/70 Hp Oil Seal Kit	90 HP Oil Seal Kit

PART No. 10-7272 OEM No. 353-00121	PART No. 10-7274 OEM No. 126-00121	PART No. 10-7276 OEM No. 3F3-01215	PART No. 10-7372 OEM No. 3B7-00121	PART No. 10-7374 OEM No. 3B701215
Upper Crank Oil Seal 60/70 Hp	Lower Crank Oil Seal 60/70 Hp	Lower Crank Oil Seal 60/70 Hp	Lower Crank Oil Seal 90 Hp	Lower Crank Oil Seal 90 Hp Pre-1999

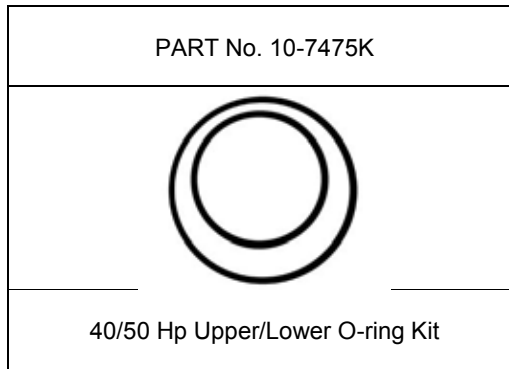
PART No. 10-7375 OEM No. 3C7-01215	PART No. 10-7472 OEM No. 334-00122	PART No. 10-7474 OEM No. 3C8-01215	PART No. 10-7476 OEM No. 3C8-00121
Lower Crank Oil Seal 90 Hp 1999+	Oil Seal	Oil Seal	Oil Seal

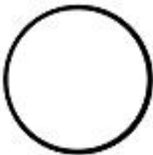
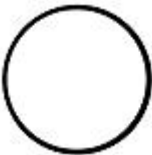
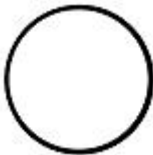
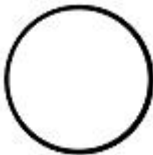



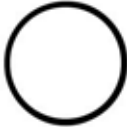
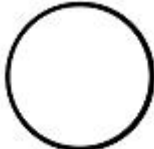
Cometic Gasket - An Exclusive NASCAR Performance Product

NISSAN / TOHATSU

DESCRIPTION	OEM NO.	OUR PART NO.	DISTRIBUTOR	DEALER
O-ring Kits				
40/50 Hp Upper/Lower O-ring Kit		10-7475K		
Individual O-rings				
60/70 Hp Upper O-ring	353-00108	10-7277		
60/70 Hp Lower O-ring	151-00053	10-7278		
90 Hp Upper O-ring	353-00108	10-7377		
90 Hp Lower O-ring	171-00053	10-7378		
90 HP Oil Pump	3B7-09002	10-7379		
40/50 Hp Upper O-ring	3C8-00108	10-7477		
40/50 Hp Lower O-ring	346-01216	10-7478		



PART No. 10-7277 OEM No. 353-00108	PART No. 10-7278 OEM No. 151-00053	PART No. 10-7377 OEM No. 353-00108	PART No. 10-7378 OEM No. 171-00053
			
60/70 Hp Upper O-ring	60/70 Hp Lower O-ring	90 Hp Upper O-ring	90 Hp Lower O-ring

PART No. 10-7379 OEM No. 3B7-09002	PART No. 10-7477 OEM No. 3C8-00108	PART No. 10-7478 OEM No. 346-01216
		
90 HP Oil Pump	40/50 Hp Upper O-ring	40/50 Hp Lower O-ring

NISSAN / TOHATSU

DESCRIPTION	OEM NO.	OUR PART NO.	DISTRIBUTOR	DEALER
Individual Niss/Tohatsu Gaskets				
60/70 Head Cover	3F3-01024-0	10-7210		
60/70 Exhaust Cover	3F3-023051-0	10-7215		
Thermostat (use 10-7320)	353-01032-0	10-7225		
Intake Manifold	3F3-02104-0	10-7230		
Drive Housing	3F3-61012-0	10-7235		
Base	3F3-01303-0	10-7240		
Exhaust	3F3-02312-0	10-7245		
Exhaust Housing	3F3-61181-0	10-7250		
90 Hp Head Cover	3B7-01024-0	10-7305		
90 Hp Exhaust Cover	3B7-02305-0	10-7310		
Blind Plate (Use 10-7415)	3B7-09082-0	10-7315		
Thermostat (Use 10-7225)	353-02104-0	10-7320		
90 Hp. Intake Gasket	3B7-02104-0	10-7325		
90 Hp Carb Base	346-02011-0	10-7330		
Arrestor	346-02414-0	10-7335		
Silencer	3B7-02418-0	10-7340		
Drive Housing	3B7-61012-0	10-7345		
90 HP Base	3B7-01303-0	10-7350		
Exhaust	3B7-02312-0	10-7355		
Exhaust Housing	3B7-61181-0	10-7360		
Head Cover	3C8-01024-0	10-7405		
Exhaust Cover	3C8-02305-0	10-7410		
Blind Plate (Use 10-7315)	3C8-09082-0	10-7415		
Manifold	3C8-02104-0	10-7420		
Drive Housing	3C8-61012-0	10-7425		
Base Gasket	3C8-013030-0	10-7430		
Exhaust	3C8-02312-0	10-7435		
Exhaust Housing	3C8-61181-0	10-7440		
Check Valve Gasket	3C7-001153-0	10-7445A		
Check Valve Gasket	3C7-001154-0	10-7445B		

PART No. 10-7210 OEM No. 3F3-01024-0	PART No. 10-7215 OEM No. 3F3-023051-0	PART No. 10-7225 OEM No. 353-01032-0	PART No. 10-7230 OEM No. 3F3-02104-0	PART No. 10-7235 OEM No. 3F3-61012-0
60/70 Head Cover	60/70 Exhaust Cover	Thermostat (use 10-7320)	Intake Manifold	Drive Housing

PART No. 10-7240 OEM No. 3F3-01303-0	PART No. 10-7245 OEM No. 3F3-02312-0	PART No. 10-7250 OEM No. 3F3-61181-0	PART No. 10-7305 OEM No. 3B7-01024-0	PART No. 10-7310 OEM No. 3B7-02305-0
Base	Exhaust	Exhaust Housing	90 Hp Head Cover	90 Hp Exhaust Cover

NISSAN / TOHATSU

PART No. 10-7315 OEM No. 3B7-09082-0	PART No. 10-7320 OEM No. 353-02104-0	PART No. 10-7325 OEM No. 3B7-02104-0	PART No. 10-7330 OEM No. 346-02011-0	PART No. 10-7335 OEM No. 346-02414-0
Blind Plate (Use 10-7415)	Thermostat (Use 10-7225)	90 Hp. Intake Gasket	90 Hp Carb Base	Arrestor
PART No. 10-7340 OEM No. 3B7-02418-0	PART No. 10-7345 OEM No. 3B7-61012-0	PART No. 10-7350 OEM No. 3B7-01303-0	PART No. 10-7355 OEM No. 3B7-02312-0	PART No. 10-7360 OEM No. 3B7-61181-0
Silencer	Drive Housing	90 HP Base	Exhaust	Exhaust Housing
PART No. 10-7405 OEM No. 3C8-01024-0	PART No. 10-7410 OEM No. 3C8-02305-0	PART No. 10-7415 OEM No. 3C8-09082-0	PART No. 10-7420 OEM No. 3C8-02104-0	PART No. 10-7425 OEM No. 3C8-61012-0
Head Cover	Exhaust Cover	Blind Plate (Use 10-7315)	Manifold	Drive Housing
PART No. 10-7430 OEM No. 3C8-013030-0	PART No. 10-7435 OEM No. 3C8-02312-0	PART No. 10-7440 OEM No. 3C8-61181-0	PART No. 10-7445A OEM No. 3C7-001153-0	PART No. 10-7445B OEM No. 3C7-001154-0
Base Gasket	Exhaust	Exhaust Housing	Check Valve Gasket	Check Valve Gasket



SUZUKI

DESCRIPTION	OEM NO.	OUR PART NO.	DISTRIBUTOR	DEALER
All descriptions are for reference only.				
Gasket kits DO NOT contain a seal kit.				
Power Head Kits				
Suzuki Inline 4 OLD P/N : 10-4401S	11400-94842	10-4421K		
Suzuki Inline 3 OLD P/N : 10-4402S	11403-95829	10-4422K		
Individual Gaskets				
Exhaust Cover	14151-95611	10-025		
Inline 4 Cyl. Head Gasket	11141-94600	10-3824		
SUZUKI BASE GASKET 75/80HP 1988-1994	51211-95630, 51211-9563	10-4001		
Upper Oil Seal Housing Gasket	11421-95610	10-4002		
Silencer Cover Gasket	13853-94710	10-4003		
SUZUKI CARB GASKET	13125-93010	10-4004		
SUZUKI CARB GASKET	13125-95210	10-4005		
Silencer Gasket	13855-93310	10-4006		
Oil Pump Gasket	16731-95520	10-4007		
Thermostat Gasket	17685-95510	10-4008		
Silencer Gasket	13855-95200	10-4009		
SUZUKI INLET REED GASKET	13121-95520	10-4010		
Gasket	11523-94610	10-4011		
Silencer Gasket	13853-94510	10-4012		
Thermostat Gasket	17685-94610	10-4013		
Cylinder Head Cover Gasket	11162-94630	10-4014		
BASE	51211-94530	10-4015		
Head Cover Gasket	11151-94620	10-4016		
Exhaust Cover Gasket	14151-94500	10-4017		
Reed Valve Gasket	13156-94500	10-4018		
Inlet Case Gasket	13121-94510	10-4019		
		10-4020		

<p>PART No. 10-4421K OEM No. 11400-94842</p>	<p>PART No. 10-4422K OEM No. 11403-95829</p>
<p>Suzuki Inline 4 OLD P/N : 10-4401S</p>	<p>Suzuki Inline 3 OLD P/N : 10-4402S</p>

<p>PART No. 10-025 OEM No. 14151-95611</p>	<p>PART No. 10-3824 OEM No. 11141-94600</p>
<p>Exhaust Cover</p>	<p>Inline 4 Cyl. Head Gasket</p>



Cometic Gasket - An Exclusive NASCAR Performance Product

SUZUKI

PART No. 10-4001 OEM No. 51211-95630, 51211-9563	PART No. 10-4002 OEM No. 11421-95610	PART No. 10-4003 OEM No. 13853-94710	PART No. 10-4004 OEM No. 13125-93010
SUZUKI BASE GASKET 75/80HP 1988-1994	Upper Oil Seal Housing Gasket	Silencer Cover Gasket	SUZUKI CARB GASKET

PART No. 10-4005 OEM No. 13125-95210	PART No. 10-4006 OEM No. 13855-93310	PART No. 10-4007 OEM No. 16731-95520	PART No. 10-4008 OEM No. 17685-95510
SUZUKI CARB GASKET	Silencer Gasket	Oil Pump Gasket	Thermostat Gasket

PART No. 10-4009 OEM No. 13855-95200	PART No. 10-4010 OEM No. 13121-95520	PART No. 10-4011 OEM No. 11523-94610	PART No. 10-4012 OEM No. 13853-94510
Silencer Gasket	SUZUKI INLET REED GASKET	Gasket	Silencer Gasket

PART No. 10-4013 OEM No. 17685-94610	PART No. 10-4014 OEM No. 11162-94630	PART No. 10-4015 OEM No. 51211-94530	PART No. 10-4016 OEM No. 11151-94620
Thermostat Gasket	Cylinder Head Cover Gasket	BASE	Head Cover Gasket

PART No. 10-4017 OEM No. 14151-94500	PART No. 10-4018 OEM No. 13156-94500	PART No. 10-4019 OEM No. 13121-94510	PART No. 10-4020
Exhaust Cover Gasket	Reed Valve Gasket	Inlet Case Gasket	



Cometic Gasket - An Exclusive NASCAR Performance Product

YAMAHA

DESCRIPTION	OEM NO.	OUR PART NO.	DISTRIBUTOR	DEALER
All descriptions are for reference only.				
Gasket kits contain crank seals.				
Power Head Kits				
V-4 1986+ Seals, O-rings	6F3-W0001-04	10-2120K		
V-4 2000+ 115 Hp +Seals, O-rings	6N6-W0001-A3	10-2122K		
3 Cyl. 40/50 Hp. 1884+ Seals, O-rings	6H4-W0001-01	10-2144K		
3 Cyl. 60/70 Hp + Seals, O-rings	6H3-W0001-00	10-2145K		
3 Cyl. 75-90 Hp. 1984 + Seals, O-rings	6H1-W0001-00	10-2157K		
V-6 90 Deg 1984-98 + Seals, O-rings	6G5-W0001-03	10-2849K		
V-6 90 Deg. HPDI	68F-W0001-01	10-2850K		
V-6 EXCELL + Seals, O-rings	6K7-W0001-04	10-2852K		
V-6 90 Deg.2000+ Seals, O-rings	67H-W0001-00	10-2854K		
V-6 76 Deg. Complete Kit + Seals, O-rings	61A-W0001-01	10-4400K		
200/225/250 76 Deg Kit 2001+	65L-W0001-00	10-4401K		

PART No. 10-2120K OEM No. 6F3-W0001-04	PART No. 10-2122K OEM No. 6N6-W0001-A3	PART No. 10-2144K OEM No. 6H4-W0001-01	PART No. 10-2145K OEM No. 6H3-W0001-00
V-4 1986+ Seals, O-rings	V-4 2000+ 115 Hp +Seals, O-rings	3 Cyl. 40/50 Hp. 1884+ Seals, O-rings	3 Cyl. 60/70 Hp + Seals, O-rings

PART No. 10-2157K OEM No. 6H1-W0001-00	PART No. 10-2849K OEM No. 6G5-W0001-03	PART No. 10-2850K OEM No. 68F-W0001-01	PART No. 10-2852K OEM No. 6K7-W0001-04
3 Cyl. 75-90 Hp. 1984 + Seals, O-rings	V-6 90 Deg 1984-98 + Seals, O-rings	V-6 90 Deg. HPDI	V-6 EXCELL + Seals, O-rings





PART No. 10-2854K OEM No. 67H-W0001-00	PART No. 10-4400K OEM No. 61A-W0001-01	PART No. 10-4401K OEM No. 65L-W0001-00
V-6 90 Deg.2000+ Seals, O-rings	V-6 76 Deg. Complete Kit + Seals, O-rings	200/225/250 76 Deg Kit 2001+







Cometic Gasket - An Exclusive NASCAR Performance Product

YAMAHA

DESCRIPTION	OEM NO.	OUR PART NO.	DISTRIBUTOR	DEALER
Head Gaskets				
3 Cyl. 90 Hp Head Gasket		10-3805	\$16.28	\$22.79
40/50 hp 3/Cyl. Head Gasket	6H4-11181-A1	10-3830	\$13.27	\$18.58
40/50 hp 3/Cyl. Head Gasket	63D-11181-A1	10-3830-1	\$11.69	\$16.37
70 hp 3/Cyl. Head Gasket	6H3-11181-A1	10-3831	\$11.87	\$16.62
V-4 Head Gasket	6E5-11181	10-3832	\$13.19	\$18.47
V-6 Head Gasket 76 Deg.	69L-11181	10-3891	\$19.77	\$27.68
V-6 Head Gasket 90 Deg. HPDI	68F-11181	10-3893	\$26.32	\$36.85
V-6 Head Gasket 90 Deg.	6G5-11181	10-3894	\$17.95	\$25.13

PART No. 10-3805	PART No. 10-3830 OEM No. 6H4-11181-A1	PART No. 10-3830-1 OEM No. 63D-11181-A1	PART No. 10-3831 OEM No. 6H3-11181-A1
			
3 Cyl. 90 Hp Head Gasket	40/50 hp 3/Cyl. Head Gasket	40/50 hp 3/Cyl. Head Gasket	70 hp 3/Cyl. Head Gasket

PART No. 10-3832 OEM No. 6E5-11181	PART No. 10-3891 OEM No. 69L-11181	PART No. 10-3893 OEM No. 68F-11181	PART No. 10-3894 OEM No. 6G5-11181
			
V-4 Head Gasket	V-6 Head Gasket 76 Deg.	V-6 Head Gasket 90 Deg. HPDI	V-6 Head Gasket 90 Deg.



Cometic Gasket - An Exclusive NASCAR Performance Product

YAMAHA

DESCRIPTION	OEM NO.	OUR PART NO.	DISTRIBUTOR	DEALER
Seal Kits				
90 Deg V4 / V6 Seal Kit		10-1734K		
76 Deg V-6 Seal Kit		10-1778K		
Individual Oil Seals				
Lower Oil Seal 40/50 84-90		10-2030		
Lower Oil Seal 40/50 84-90	93102-25M28	10-2031		
Lower Oil Seal 70-90 84+	93102-30M23	10-2032		
Upper Oil Seal 70-90 84+	93102-36M24	10-2033		
Oil Seal	93106-18M01	10-2075		
Oil Seal	93102-40M36	10-2087		
Oil Seal	93104-22M07	10-2091		
Oil Seal	93104-20M02	10-2219		
Oil Seal	93101-22M15	10-2220		
V4/6 Lower Seal	93102-35M13	10-2221		
V4/6 Upper Seal	93102-40M38	10-2222		
Oil Seal	93102-23096	10-570		

PART No. 10-1734K	PART No. 10-1778K
90 Deg V4 / V6 Seal Kit	76 Deg V-6 Seal Kit

PART No. 10-2030	PART No. 10-2031 OEM No. 93102-25M28	PART No. 10-2032 OEM No. 93102-30M23	PART No. 10-2033 OEM No. 93102-36M24
Lower Oil Seal 40/50 84-90	Lower Oil Seal 40/50 84-90	Lower Oil Seal 70-90 84+	Upper Oil Seal 70-90 84+

PART No. 10-2075 OEM No. 93106-18M01	PART No. 10-2087 OEM No. 93102-40M36	PART No. 10-2091 OEM No. 93104-22M07	PART No. 10-2219 OEM No. 93104-20M02
Oil Seal	Oil Seal	Oil Seal	Oil Seal

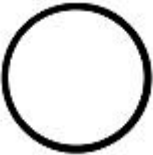
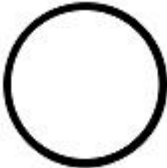
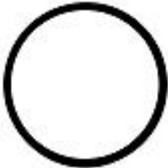
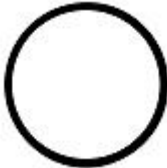
PART No. 10-2220 OEM No. 93101-22M15	PART No. 10-2221 OEM No. 93102-35M13	PART No. 10-2222 OEM No. 93102-40M38	PART No. 10-570 OEM No. 93102-23096
Oil Seal	V4/6 Lower Seal	V4/6 Upper Seal	Oil Seal

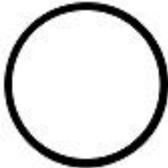

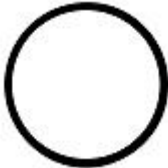
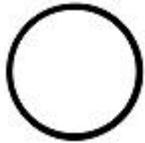


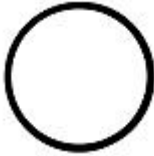
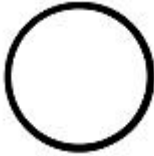
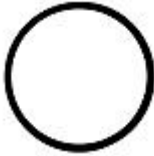
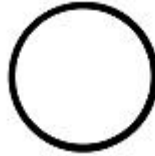
Cometic Gasket - An Exclusive NASCAR Performance Product

YAMAHA

DESCRIPTION	OEM NO.	OUR PART NO.	DISTRIBUTOR	DEALER
Individual O-rings				
O-ring		10-2024		
O-ring	93210-37M25	10-2223		
O-ring	93210-46M16	10-2225		
O-ring	93210-65M50	10-2226		
O-ring	93210-62269	10-2229		
90 Deg. V-6 O-Ring	93210-81MA6	10-2230		
90 Deg. V-6 O-Ring	93211-04384	10-2231		
O-ring	93210-57M09	10-256		
O-ring	93210-50MA8	10-7438		
O-ring	93210-54M54	10-7439		
O-ring	93210-81MA6	10-7443		
Carb Mount O-ring	93210-29ME4	10-9321		

PART No. 10-2024	PART No. 10-2223 OEM No. 93210-37M25	PART No. 10-2225 OEM No. 93210-46M16	PART No. 10-2226 OEM No. 93210-65M50
			
O-ring	O-ring	O-ring	O-ring

PART No. 10-2229 OEM No. 93210-62269	PART No. 10-2230 OEM No. 93210-81MA6	PART No. 10-2231 OEM No. 93211-04384	PART No. 10-256 OEM No. 93210-57M09
			
O-ring	90 Deg. V-6 O-Ring	90 Deg. V-6 O-Ring	O-ring


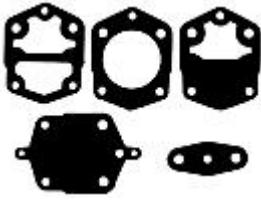


PART No. 10-7438 OEM No. 93210-50MA8	PART No. 10-7439 OEM No. 93210-54M54	PART No. 10-7443 OEM No. 93210-81MA6	PART No. 10-9321 OEM No. 93210-29ME4
			
O-ring	O-ring	O-ring	Carb Mount O-ring



Cometic Gasket - An Exclusive NASCAR Performance Product

YAMAHA

DESCRIPTION	OEM NO.	OUR PART NO.	DISTRIBUTOR	DEALER
Fuel Pump Kits				
Fuel Pump Diaphragm Kit		10-2500K		
Fuel Pump Diaphragm Kit	6E5-24411	10-2501K		
O2 Sensor Kit				
O2 Sensor Kit Fits All		10-1357K		
O2 Sensor gasket	65L-11357-00	10-1358		

PART No. 10-2500K	PART No. 10-2501K OEM No. 6E5-24411	PART No. 10-1357K	PART No. 10-1358 OEM No. 65L-11357-00
			
Fuel Pump Diaphragm Kit	Fuel Pump Diaphragm Kit	O2 Sensor Kit Fits All	O2 Sensor gasket

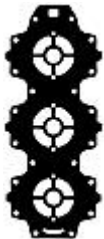




DESCRIPTION	OEM NO.	OUR PART NO.	DISTRIBUTOR	DEALER
Individual Gaskets				
76 Deg V-6 Head Cover		10-1193		
Intake Not OE Mat'l	65L-13645	10-1363		
Intake OE Mat'l	65L-13645	10-1363A		
Intake Not OE Mat'l	65L-13646	10-1364		
Intake OE Mat'l	65L-13646	10-1364A		
Block End Cvr	61A-11381	10-1381		
V-6 Thermostat Cover	61A-12414	10-1735		
40/50 Base	6H4-45113	10-1736		
Valve Seat	6H4-13621	10-1737		
Carb Mount	6H4-14198	10-1738		
Fuel pump	650-24431	10-1741		
Head Cover	6H4-11193	10-2233		
Head Cvr	63D-11193	10-2234		
O/SL Housing	6H4-15369	10-2235		
Exhaust	6H4-41112	10-2236		
Exhaust Cover	6H4-41114	10-2237		
60/70 HP Head Cvr	6H3-11193	10-2239		
Thermo Cvr 60/70 HP	6H3-12414	10-2240		
Valve Seat	6H3-13622	10-2241		
Carb Mount	6H3-14198	10-2242		
Exhaust	6H3-41112	10-2243		
Exhaust Cvr	6H3-41114	10-2244		
60/70 HP Base	6H3-45113	10-2245		
90HP Head Cover	688-11193	10-2246		
Thermo V4/V6	688-12414	10-2247		
Intake Manifold/Reed Plate	688-13621	10-2248		
Carb Mount	688-14198	10-2249		
Exhaust cover	688-41112	10-2250		
Base	688-45113	10-2251		
V-4 Water jacket cvr	6E5-11193	10-2252		
V-4 Passage Cvr	6E5-11381	10-2253		
Reed Block	6E5-13621	10-2254		



Cometic Gasket - An Exclusive NASCAR Performance Product

YAMAHA

DESCRIPTION	OEM NO.	OUR PART NO.	DISTRIBUTOR	DEALER
Individual Gaskets (continued)				
V-4 Intake Manifold	6E5-13645	10-2255		
Carb base	6E5-14198	10-2256		
Air Box cvr	6G5-14416	10-2258		
V-4 Carb to airbox	6E5-14483	10-2259		
V-4 Exhaust Cvr	6E5-41112	10-2260		
Power Head Base	6G5-45113-A1	10-2261		
Water jacket gasket	6G5-11193	10-2262		
By-pass	6G5-11382	10-2263		
V-6 Intake Man	6G5-13645	10-2264		
Air Box Gasket	6G5-14416	10-2265		
Carb to air box	6G5-14483	10-2266		
Exhaust cover	6G5-41112	10-2267		
Reed	6K7-13621	10-2268		
V-6 90 Deg. HPDI 150-200 Hp Base	68F-45113	10-2269		
Thermostat Gasket	60V-12414-AO	10-2414		
80/100 Four stroke Thermostat Cvr	67F-12435	10-2435		
V-6 Reed 76 Deg.	61A-13621	10-3621		
Valve Seat Gasket	60V-13621-AO	10-3621-1		
V-6 76 Deg. Intake Manifold	61A-13645	10-3645		
V-6 76 Deg. Intake Manifold	61A-13646	10-3646		
V-6 76 Deg. Intake Manifold		10-3646A		
V-6 Exhaust Cover	61A-41112	10-4112		
V-6 Exhaust Cover HPDI	68F-41114	10-4114		
V-6 Head Cover HPDI	68F-11193-01	10-4116		
Water Passage Cover HPDI	68F-11381	10-4118		
Carb Base	6H4-14198	10-4198		
Float Bowl Gasket	64D-14384	10-4384		
Float Bowl Gasket V4/V6 1986-95	6E5-14384	10-4385		
Arrestor Cover	6K7-14483	10-4386		
Arrestor Cover 150-250 Hp	65L-14483	10-4483		
250 H/P 76 Deg. Base	61A-45113	10-4511		
Yam 250 HP 76 deg base		10-4511-1		
Crankcase Cover Gasket	6DO-15451-00	10-5451		
Crankcase Cover Gasket	6DO-15461-00	10-5461		
Crankcase Cover Gasket	6DO-15462-00	10-5462		
V-6 "Saltwater" Series 96+ Reed	64E-13645	10-641		
V-6 Outer Reed	6K7-13645-A1	10-645		
V-6 Inner Reed	6K7-13646-A1	10-646		

PART No. 10-1193	PART No. 10-1363 OEM No. 65L-13645	PART No. 10-1363A OEM No. 65L-13645	PART No. 10-1364 OEM No. 65L-13646	PART No. 10-1364A OEM No. 65L-13646
				
76 Deg V-6 Head Cover	Intake Not OE Mat'l	Intake OE Mat'l	Intake Not OE Mat'l	Intake OE Mat'l

YAMAHA

PART No. 10-1381 OEM No. 61A-11381	PART No. 10-1735 OEM No. 61A-12414	PART No. 10-1736 OEM No. 6H4-45113	PART No. 10-1737 OEM No. 6H4-13621	PART No. 10-1738 OEM No. 6H4-14198
Block End Cvr	V-6 Thermostat Cover	40/50 Base	Valve Seat	Carb Mount

PART No. 10-1741 OEM No. 650-24431	PART No. 10-2233 OEM No. 6H4-11193	PART No. 10-2234 OEM No. 63D-11193	PART No. 10-2235 OEM No. 6H4-15369	PART No. 10-2236 OEM No. 6H4-41112
Fuel pump	Head Cover	Head Cvr	O/SL Housing	Exhaust

PART No. 10-2237 OEM No. 6H4-41114	PART No. 10-2239 OEM No. 6H3-11193	PART No. 10-2240 OEM No. 6H3-12414	PART No. 10-2241 OEM No. 6H3-13622	PART No. 10-2242 OEM No. 6H3-14198
Exhaust Cover	60/70 HP Head Cvr	Thermo Cvr 60/70 HP	Valve Seat	Carb Mount

PART No. 10-2243 OEM No. 6H3-41112	PART No. 10-2244 OEM No. 6H3-41114	PART No. 10-2245 OEM No. 6H3-45113	PART No. 10-2246 OEM No. 688-11193	PART No. 10-2247 OEM No. 688-12414
Exhaust	Exhaust Cvr	60/70 HP Base	90HP Head Cover	Thermo V4/V6

YAMAHA

PART No. 10-2248 OEM No. 688-13621	PART No. 10-2249 OEM No. 688-14198	PART No. 10-2250 OEM No. 688-41112	PART No. 10-2251 OEM No. 688-45113	PART No. 10-2252 OEM No. 6E5-11193
Intake Manifold/Reed Plate	Carb Mount	Exhaust cover	Base	V-4 Water jacket cvr

PART No. 10-2253 OEM No. 6E5-11381	PART No. 10-2254 OEM No. 6E5-13621	PART No. 10-2255 OEM No. 6E5-13645	PART No. 10-2256 OEM No. 6E5-14198	PART No. 10-2258 OEM No. 6G5-14416
V-4 Passage Cvr	Reed Block	V-4 Intake Manifold	Carb base	Air Box cvr

PART No. 10-2259 OEM No. 6E5-14483	PART No. 10-2260 OEM No. 6E5-41112	PART No. 10-2261 OEM No. 6G5-45113-A1	PART No. 10-2262 OEM No. 6G5-11193	PART No. 10-2263 OEM No. 6G5-11382
V-4 Carb to airbox	V-4 Exhaust Cvr	Power Head Base	Water jacket gasket	By-pass

PART No. 10-2264 OEM No. 6G5-13645	PART No. 10-2265 OEM No. 6G5-14416	PART No. 10-2266 OEM No. 6G5-14483	PART No. 10-2267 OEM No. 6G5-41112	PART No. 10-2268 OEM No. 6K7-13621
V-6 Intake Man	Air Box Gasket	Carb to air box	Exhaust cover	Reed

YAMAHA

PART No. 10-2269 OEM No. 68F-45113	PART No. 10-2414 OEM No. 60V-12414-AO	PART No. 10-2435 OEM No. 67F-12435	PART No. 10-3621 OEM No. 61A-13621	PART No. 10-3621-1 OEM No. 60V-13621-AO
V-6 90 Deg. HPDI 150-200 Hp Base	Thermostat Gasket	80/100 Four stroke Thermostat Cvr	V-6 Reed 76 Deg.	Valve Seat Gasket

PART No. 10-3645 OEM No. 61A-13645	PART No. 10-3646 OEM No. 61A-13646	PART No. 10-4112 OEM No. 61A-41112	PART No. 10-4114 OEM No. 68F-41114	PART No. 10-4116 OEM No. 68F-11193-01
V-6 76 Deg. Intake Manifold	V-6 76 Deg. Intake Manifold	V-6 Exhaust Cover	V-6 Exhaust Cover HPDI	V-6 Head Cover HPDI

PART No. 10-4118 OEM No. 68F-11381	PART No. 10-4198 OEM No. 6H4-14198	PART No. 10-4384 OEM No. 64D-14384	PART No. 10-4385 OEM No. 6E5-14384	PART No. 10-4386 OEM No. 6K7-14483
Water Passage Cover HPDI	Carb Base	Float Bowl Gasket	Float Bowl Gasket V4/V6 1986-95	Arrestor Cover

PART No. 10-4483 OEM No. 65L-14483	PART No. 10-4511 OEM No. 61A-45113	PART No. 10-4511-1	PART No. 10-5451 OEM No. 6DO-15451-00	PART No. 10-5461 OEM No. 6DO-15461-00
Arrestor Cover 150-250 Hp	250 H/P 76 Deg. Base	250 H/P 76 Deg. Base	Crankcase Cover Gasket	Crankcase Cover Gasket

PART No. 10-5462 OEM No. 6DO-15462-00	PART No. 10-641 OEM No. 64E-13645	PART No. 10-645 OEM No. 6K7-13645-A1	PART No. 10-646 OEM No. 6K7-13646-A1
Crankcase Cover Gasket	V-6 "Saltwater" Series 96+ Reed	V-6 Outer Reed	V-6 Inner Reed



Cometic Gasket - An Exclusive NASCAR Performance Product

YAMAHA

APPLICATION

Gasket and Seal Kits						
HP	Year	Cyl.	Gasket Kit	Head	Seal Kit	Fuel Pump
70	1970-73, 1979-80	3	10-2874K	10-369	10-1101K	10-7806K
70	1991-95 Single Carb	3	10-2874-1K	10-369	10-1101K	10-7806K
70	1999	3	10-2874-2K	10-369	10-1101K	10-7806K
75	1974-79	3	10-2874K	10-369	10-1101K	10-7806K
75	1980-83	3	10-2874K	10-369	10-1101K	10-7806K
75	1969-98	3	10-2874-4K	10-369	10-1101K	10-7806K
75	1969-98 Single Carb	3	10-2874-1K	10-369	10-1102K	10-7806K
75	1999	3	10-2874-3K	10-369	10-1102K	10-7806K
85	1970-73, 1977-79	3	10-2874K	10-369	10-1102K	10-7806K
85	1980-89	3	10-2874K	10-369	10-1101K	10-7806K
90	1974-77	3	10-2874K	10-369	10-1101K	10-7806K
90	1983, 1989-90	3	10-2874K	10-369	10-1101K	10-7806K
90	1991-94	3	10-2874-2K	10-369	10-1101K	10-7806K
90	1995-99	3	10-2874-3K	10-369	10-1102K	10-7806K
100	1979-81, 1983	4	10-2875K	10-476	10-1101K	10-7806K
105	1972-78	4	10-2875K	10-476	10-1101K	10-7806K
105	1982, 1979-1983	4	10-2875K	10-476	10-1101K	10-7806K
115	1977-83	4	10-2875K	10-476	10-1101K	10-7806K
120	1971-77	4	10-2875K	10-476	10-1101K	10-7806K
120	1989-98	4	10-2875K	10-476	10-1101K	10-7806K
120	1995+	4	10-2875K	10-476	10-1102K	10-7806K
120	1969-99	4	10-2875-1K	10-476	10-1102K	10-7806K
125	1983+	4	10-2875K	10-476	10-1101K	10-7806K
135	1974-77	4	10-2875K	10-476	10-1101K	10-7806K
140	1978-83	4	10-2875K	10-476	10-1101K	10-7806K
150	1989-94	5	---	---	10-1101K	10-7806K



WARNING: Cancer and Reproductive Harm www.P65Warnings.ca.gov

Kawasaki 300

DESCRIPTION	OEM PART #	OURPART#
HEAD *	11004-3712	5000
BASE *	11060-3747	5020
38 MM CARB BASE (2 REQ'D) *	11009-3786	5030
REED (2 REQ'D) *	11060-3703	5040
EXHAUST *	11009-3750	5050
HEAD PIPE	11009-3744	5060
CONNECTOR PIPE	11060-3736	5070
SPARK ARRESTOR 38MM (2 REQ'D)	11060-3702	5080
SEALS		
SEAL (2 REQ'D)	92049-1047	5090
SEAL KIT	ALL	5095K
KITS		
300 TOP KIT		5100K
300 COMPLETE KIT	ALL	5150K
300 COMPLETE WITH SEALS	ALL	5152K

* DENOTES ITEM IS INCLUDED IN TOP KIT

No. 5000 OEM. 11004-3712	No. 5020 OEM. 11060-3747	No. 5030 OEM. 11009-3786	No. 5040 OEM. 11060-3703	No. 5050 OEM. 11009-3750
Head Gasket	Base	38MM Carb Base (2 Required)	Reed (2 Required)	Exhaust

No. 5060 OEM. 1109-3744	No. 5070 OEM. 11060-3736	No. 5080 OEM. 11060-3702	No. 5090 OEM. 92049-1047	No. 5095K
Head Pipe	Connector Pipe	Spark Arrestor	Seal (2 Required)	Seal Kit

No. 5100K	No. 5150K	No. 5152K
300 Top Kit	300 Complete Kit	300 Complete Kit W/ Seals

Kawasaki 440

DESCRIPTION	OEM PART #	OURPART#
HEAD	11004-3707	5200
HEAD ULTIMATE GREEN .047	ULTIMATE	5230
BASE (2 REQ'D)	11009-505	5240
BASE (1 PIECE)	11009-3782	5430
INTAKE (2 REQ'D)	11009-3785	5250
38 MM CARB BASE (3 REQ'D)	11009-3786	5030
HOUSING PRE '82	92065-515	5270
EXHAUST	11009-3779	5280
HEADPIPE	11060-3710	5290
SPARK ARRESTOR 38MM (2 REQ'D)	11060-3702	5080
SEALS		
CRANK SEAL	92049-3005	5310
CRANK SEAL (2 REQ'D)	92049-3006	5330
CRANK SEAL KIT	ALL	5335K
KITS		
440 COMPLETE KIT	ALL	5350K
440 COMPLETE WITH SEALS	ALL	5354K

* DENOTES ITEM IS INCLUDED IN TOP KIT

** NOT ORIGINAL EQUIPMENT

No. 5200 OEM. 11004-3707	No. 5230 ULTIMATE	No. 5240 OEM. 11009-505	No. 5430 OEM. 11009-3782
Head Gasket	Head Gasket Ultimate Green .047	Base Gasket (2 Required)	Base Gasket (1 Piece)

No. 5250 OEM. 11009-3785	No. 5030 OEM. 11009-3786	No. 5270 OEM. 92065-515	No. 5280 OEM. 11009-3779	No. 5290 OEM. 11060-3710
Intake (2 Required)	38MM Carb Base (3 Required)	Housing Pre '82	Exhaust	Head Pipe



Kawasaki 440

No. 5080 OEM. 11060-3702	No. 5310 OEM. 92049-3005	No. 5330 OEM. 92049-3005	No. 5335K ALL
Spark Arrestor 38MM (2 Required)	Crank Seal	Crank Seal (2 Required)	Crank Seal Kit

No. 5350K	No. 5354K
440 Complete Kit	440 Complete W/ Seals

Kawasaki 550 Pre 1991

DESCRIPTION	OEM PART #	OURPART#
HEAD	11004-3707	5200
HEAD ULTIMATE GREEN .047	ULTIMATE	5420
BASE (2 REQ'D)	11009-505	5240
BASE (1 PIECE)	11009-3782	5430
BASE GASKET STAINLESS STEEL		5430.010
BASE GASKET VR		5430.030
INTAKE (2 REQ'D)	11009-3785	5250
38 MM CARB BASE (3 REQ'D)	11009-3786	5030
HOUSING PRE '82	92065-515	5270
EXHAUST	11009-3779	5280
HEADPIPE	11060-3710	5290
SPARK ARRESTOR 38MM (2 REQ'D)	11060-3702	5080
SEALS		
CRANK SEAL	92049-3005	5310
CRANK SEAL (2 REQ'D)	92049-3006	5330
CRANK SEAL KIT	ALL	5335K
KITS		
550 Pre 1986 TOP KIT		5550K
550 Pre 1986 COMPLETE KIT		5560K
550 86-90 TOP END KIT	ALL	5570K
550 86-90 COMPLETE KIT WITH SEALS	ALL	5585K

** NOT ORIGINAL EQUIPMENT



Cometic Gasket - An Exclusive NASCAR Performance Product

Kawasaki 550 Pre 1991

No. 5400 OEM. 11004-3709	No. 5410 NOE	No. 5420 ULTIMATE	No. 5430 OEM. 11009-3782	No. 5250 OEM. 11009-3785
Head Gasket	Head Gasket Copper .020	Head Gasket Ultimate Green .047	Base Gasket	Intake (2 Required)

No. 5030 OEM. 11009-3786	No. 5460 OEM. 11060-3743	No. 5280 OEM. 11009-3779	No. 5480 OEM. 11009-3051	No. 5490 OEM. 11060-3730
38MM Carb Base Pre '86 (3 Required)	44MM Carb Base 86-90(2 Required)	Exhaust	Headpipe Pre '86	Connector Pipe Lower Pre '86

No. 5500 OEM. 11060-3726	No. 5510 OEM. 11060-3727	No. 5520 OEM. 11060-3728	No. 5080 OEM. 11060-3702	No. 5540 OEM. 11060-3744
Headpipe 86-90	Connector Pipe 86-90	Chamber 86+	Spark Arrestor 38MM (2 Required)	Air Cleaner 44MM 86-90(2 Required)

No. 5310 OEM. 92049-3005	No. 5330 OEM. 92049-3006	No. 5335K SEE PIC.
Crank Seal	Crank Seal (2 Required)	Crank Seal Kit

No. 5550K	No. 5560K	No. 5565K
Pre '86 550 Top Kit	Pre '86 550 Complete Kit	Pre '86 550 Complete Kit W/ Seals



Cometic Gasket - An Exclusive NASCAR Performance Product

Kawasaki 550 Pre 1991

No. 5570K	No. 5580K	No. 5585K
1986-90 550 Top Kit	1986-90 550 Complete Kit	1986-90 550 Complete Kit W/ Seals

Kawasaki 550 1991-95

DESCRIPTION	OEM PART #	OURPART#
HEAD STAINLESS STEEL .010 *	11004-3706	5600
HEAD ULTIMATE GREEN .047	ULTIMATE	5610
BASE STAINLESS STEEL .010 *	11009-3780	5630
REED (2 REQ'D) *	11009-3787	5640
INTAKE (2 REQ'D) *	11009-3788	5650
KEIHIN 38MM *	11060-3716	5660
EXHAUST *	11009-3779	5280
HEADPIPE	11060-3726	5500
CONNECTOR PIPE	11060-3727	5510
CHAMBER	11009-2446	5520
SEALS		
CRANK SEAL	92049-3005	5310
CRANK SEAL (2 REQ'D)	92049-3006	5330
CRANK SEAL KIT	ALL	5335k
KITS		
550 SX TOP KIT	1991-1995	5680K
550 SX COMPLETE KIT	1991-1995	5690K
550 SX COMPLETE KIT WITH SEALS	1991-1995	5695K

* DENOTES ITEM IS INCLUDED IN TOP KIT

No. 5600 OEM. 11004-3706	No. 5610 ULTIMATE	No. 5630 OEM. 11009-3780	No. 5640 OEM. 11009-3787	No. 5650 OEM. 11009-3788
Head Gasket Stainless Steel .010	Head Ultimate Green .047	Base Stainless Steel .010	Reed (2 Required)	Intake (2 Required)



Cometic Gasket - An Exclusive NASCAR Performance Product

Kawasaki 550 1991-95

No. 5660 OEM. 11060-3716	No. 5280 OEM.11009-3779	No. 5500 OEM. 11060-3727	No. 5510 OEM. 11060-3727	No. 5520 OEM. 11009-2446
Keihin 38MM Carb Base	Exhaust	Headpipe	Connector Pipe	Chamber

No. 5310 OEM.92049-3005	No. 5330 OEM. 92049-3006	No. 5335K
Crank Seal	Crank Seal (2 Required)	Crank Seal Kit

No. 5680K	No. 5690K	No. 5695K
1991-95 550 SX Top Kit	1991-95 550 SX Complete Kit	1991-95 550 SX Complete Kit W/ Seals

Kawasaki 650 X-2 / TS / SC

DESCRIPTION	OEM PART #	OUR PART#
HEAD STAINLESS STEEL .010	11004-3710	5800
HEAD ULTIMATE GREEN .047	ULTIMATE	5830
BASE	11009-3775	5850
REED (4 REQ'D)	11009-3731	5860
KEIHIN 28MM CARB BASE	11009-3747	5870
KEIHIN 38MM CARB BASE	11060-3716	5660
EXHAUST	11060-3716	5880
HEAD PIPE	11009-3722	5890
HEAD PIPE	11009-3752	5900
MUFFLER (TS MODEL)	11060-3718	7120
CONNECTOR PIPE (X-2 MODEL)	11009-3724	5910
CONTROL VALVE (SEE PIC. MODELS)	11060-3723	7150
SEALS		
CRANK SEAL (2 REQ'D)	92049-3705	5920
CRANK SEAL	92049-3706	5930
CRANK SEAL KIT	ALL	5935K
KITS		
650 COMPLETE KIT	650	5940K
650 COMPLETE KIT WITH SEALS	650	5945K
X-2, TS COMPLETE KIT	X-2 / TS	5960K
X-2, TS COMPLETE KIT WITH SEALS	X-2 / TS	5965K

** NOT ORIGINAL EQUIPMENT

No. 5800 OEM. 11004-3710	No. 5830 ULTIMATE	No. 5850 OEM. 11009-3775
Head Stainless Steel .010	Head Ultimate Green .047	Base Gasket

No. 5860 OEM. 11009-3731	No. 5870 OEM. 11009-3747	No. 5660 OEM. 11060-3716	No. 5880 OEM. 11060-3716
Reed (4 Required)	Keihin 28MM Carb Base	Keihin 38MM Carb Base	Exhaust

Kawasaki 650 X-2 / TS / SC

No. 5890 OEM. 11009-3722	No. 5900 OEM. 11009-3752	No. 7120 OEM. 11009-3718	No. 5910 OEM. 11009-3724	No. 7150 OEM. 11009-3723
Head Pipe	Head Pipe	Muffler (TS Model)	Connector Pipe (X-2 Model)	Control Valve (All Models)

No. 5920 OEM. 92049-3705	No. 5930 OEM. 92049-3706	No. 5935K SEE PIC.
Crank Seal (2 Required)	Crank Seal	Crank Seal Kit

No. 5940K	No. 5945K	No. 5960K	No. 5965K
650 Complete Kit	650 Complete Kit W/ Seals	X-2 / TS Complete Kit	X-2 / TS Complete Kit W/ Seals

Kawasaki 750 SX / SXi / Pro

DESCRIPTION	OEM PART #	OURPART#
HEAD STAINLESS STEEL .010 *	11004-3714	7000
HEAD 83.25 MM BORE	NOE **	7000BB
HEAD COPPER .020	NOE **	7010
HEAD ULTIMATE GREEN .047	ULTIMATE	7020
HEAD GASKET VR		7020.030
BASE *	11060-3711	7040
REED SX (4 REQ'D) * SXi (2 REQ'D)	11060-3717	7050
REED SXi (2 REQ'D) *	11060-3757	7430
40mm CARB SX '95 *	11060-3716	7060
40mm CARB SXi '96 *	11060-3761	7065
EXHAUST 750 (2 REQ'D) *	11060-3759	7070
HEAD PIPE (SEE PIC. MODELS)	11060-3712	7080
UPPER MUFFLER (SEE PIC. MODELS)	11060-3713	7090
MUFFLER (SEE PIC. MODELS)	11060-3714	7140
CONTROL VALVE (SEE PIC. MODELS)	11060-3723	7150
SEALS		
CRANK SEAL (2 REQ'D)	92049-3713	5920
CRANK SEAL	92049-3706	5930
CRANK SEAL KIT	ALL	5935K
KITS		
750 TOP KIT	ALL	7200K
750 COMPLETE KIT	SX, SXi	7210K
750 COMPLETE KIT WITH SEALS	SX, SXi	7215K

* DENOTES ITEM IS INCLUDED IN TOP KIT

** NOT ORIGINAL EQUIPMENT





No. 7000 OEM. 11004-3714	No. 7000BB NOE	No. 7010 NOE	No. 7020 Ultimate	No. 7040 OEM. 11060-3711
. Head Gasket Stainless Steel 010	Head Gasket 83.25 MM Bore	Head Gasket Copper .020	Head Gasket Ultimate Green .047	Base Gasket

No. 7050 OEM. 11060-3717	No. 7430 OEM. 11060-3757	No. 7060 OEM. 110060-3716	No. 7065 OEM. 11060-3761	No. 7070 OEM. 11060-3759
Reed SX (4 Required) SXi (2 Required)	Reed SXi (2 Required)	40mm Carb	40mm Carb SXi '96	Exhaust (2 Required)

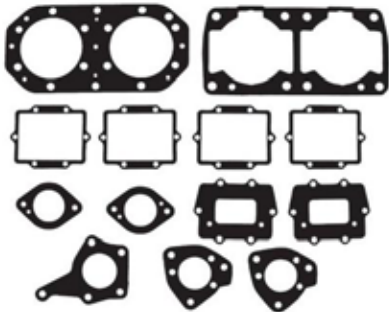




Cometic Gasket - An Exclusive NASCAR Performance Product

Kawasaki 750 SX / SXi / Pro

No. 7080 OEM. 11060-3712	No. 7090 OEM. 11060-3713	No. 7140 OEM. 11060-3714	No. 7150 OEM. 11060-3723
			
Head Pipe (All Models)	Upper Muffler (All Models)	Muffler (All Models)	Control Valve (All Models)

No. 5920 OEM. 92049-3705	No. 5930 OEM. 92049-3706	No. 5935K ALL
		
Crank Seal (2 Required)	Crank Seal	Crank Seal Kit

No. 7200K	No. 7210K	No. 7215K
		
750 Top Kit	750 Complete Kit (SX, SXi)	750 Complete Kit W/ Seals (SX, SXi)

Kawasaki 750 SS / Xi / XiR

DESCRIPTION	OEM PART #	OURPART#
HEAD STAINLESS STEEL .010 *	11004-3714	7000
HEAD 83.25 MM BORE	NOE **	7000BB
BASE (SEE PIC. MODELS) *	11060-3711	7040
REED SS 92+, Xi 93-95, XiR (4 REQ'D) *	11060-3717	7050
REED Xi '96 (2 REQ'D) *	11060-3717	7050
REED Xi '96 (2 REQ'D) *	11060-3757	7430
40mm CARB SS, Xi, XiR (2 REQ'D) *	11060-3716	7060
40mm CARB Xi '96 (2 REQ'D) *	11060-3758	7060
EXHAUST (SEE PIC. MODELS) (2 REQ'D)	11060-3721	7070
HEAD PIPE (SS 92-93 MODELS)	11060-3720	7100
HEADPIPE (SS 94+, Xi '93+ MODELS)	11060-3732	7110
HEAD PIPE (XiR MODEL)	11009-3752	5900
MUFFLER (SS, Xi MODELS)	11060-3718	7120
CONTROL VALVE (SEE PIC. MODELS)	11060-3723	7150
SEALS		
CRANK SEAL (2 REQ'D)	92049-3713	5920
CRANK SEAL	92049-3706	5930
CRANK SEAL KIT	ALL	5935K
KITS		
750 TOP KIT	ALL	7200K
750 COMPLETE KIT	SS,Xi	7220K
750 COMPLETE KIT WITH SEALS	SS,Xi	7224K
750 COMPLETE KIT	SS 92-93	7240K
750 COMPLETE KIT WITH SEALS	SS 92-93	7244K
750 COMPLETE KIT	XiR	7230K
750 COMPLETE KIT WITH SEALS	XiR	7235K

* DENOTES ITEM IS INCLUDED IN TOP KIT

** NOT ORIGINAL EQUIPMENT

No. 7000 OEM. 11004-3714	No. 7000BB NOE	No. 7040 OEM. 11060-3711	No. 7050 OEM. 11060-3717	No. 7430 OEM. 11060-3757
Head Gasket Stainless Steel .010	Head Gasket 83.25 MM Bore	Base All Models	Reed SS 92+, Xi 93-95, XiR (4 Req'd), Xi 96 (2 Req'd)	Reed Xi '96 (2 Required)

No. 7060 OEM. 11060-3716	No. 7060 OEM. 11060-3758	No. 7070 OEM. 11060-3721	No. 7100 OEM. 11060-3720
40mm Carb SS, Xi, XiR (2 Required)	40mm Carb Xi '96 (2 Required)	Exhaust (All Models) (2 Required)	Head Pipe (SS 92-93 Models)



Cometic Gasket - An Exclusive NASCAR Performance Product

Kawasaki 750 SS / Xi / XiR

No. 7110 OEM. 11060-3732	No. 5900 OEM. 11009-3752	No. 7120 OEM. 11060-3718	No. 7150 OEM. 11060-3723
Head Pipe (SS 94+, Xi'93+ Models)	Head Pipe (XiR Model)	Muffler (SS, Xi Models)	Control Valve (All Models)

No. 5920 OEM. 92049-3705	No. 5930 OEM. 92049-3706	No. 5935K All
Crank Seal (2 Required)	Crank Seal	Crank Seal Kit

No. 7200K	No. 7220K	No. 7224K	No. 7240K
750 Top Kit	750 Complete Kit (SS, Xi)	750 Complete Kit W/ Seals (SS, Xi)	750 Complete Kit (SS 92-93)

No. 7244K	No. 7230K	No. 7235K
750 Complete Kit W/ Seals (SS 92-93)	750 Complete Kit (XiR)	750 Complete Kit W/ Seals (XiR)

Kawasaki 750 STS / STX / ZXi

DESCRIPTION	OEM PART#	OURPART#
HEAD STAINLESS STEEL .010 *	11004-3714	7000
HEAD 83.25 MM BORE	NOE**	7000BB
BASE (SEE PIC. MODELS) *	11060-3711	7040
REED STS, STX, ZXi (2 REQ'D) *	11060-3717	7050
REED STS, STX, ZXi (2 REQ'D) *	11060-3757	7430
40MM CARB STS, STX, ZXi (2 REQ'D) *	11060-3758	7060
EXHAUST STS 95-96, ZXi, STX (2 REQ'D) *	11060-3721	7070
HEAD PIPE (95 STS MODEL)	11060-3732	7110
HEAD PIPE (96 STS MODEL / STX)	11060-3771	7115
HEAD PIPE (95-96 ZXi MODEL)	11060-3754	7470
MUFFLER 1 (95 STS MODEL)	11060-3718	7120
EXHAUST JOINT (96 STS MODEL / STX)	11060-3763	7125
MUFFLER 1 (96 STS MODEL / STX)	11060-3766	7135
MUFFLER 2 (96 STS)	11060-3770	7145
MUFFLER (95-96 ZXi MODEL)	11060-3755	7480
CONTROL VALVE (SEE PIC. MODELS)	11060-3723	7150
SEALS		
CRANK SEAL (2 REQ'D)	92049-3713	5920
CRANK SEAL	92049-3706	5930
CRANK SEAL KIT	ALL	5935K
KITS		
750 TOP KIT	ALL	7200K
750 COMPLETE KIT (95 STS)	STS	7225K
750 COMPLETE KIT WITH SEALS (95 STS)	STS	7227K
750 COMPLETE KIT (95+ ZXi)	ZXi	7245K
750 COMPLETE KIT WITH SEALS (95+ ZXi)	ZXi	7247K

* DENOTES ITEM IS INCLUDED IN TOP KIT

** NOT ORIGINAL EQUIPMENT

No. 7000 OEM. 11004-3714	No. 7000BB NOE	No. 7040 OEM. 11060-3711	No. 7050 OEM. 11060-3717
Head Gasket Stainless Steel .010	Head Gasket 83.25 MM Bore	Base All Models	Reed STS, STX, ZXi (2 Required)

No. 7430 OEM. 11060-3757	No. 7060 OEM. 11060-3758	No. 7070 OEM. 11060-3721 OEM. 11060-3759	No. 7110 OEM. 11060-3732
Reed STS, STX, ZXi (2 Required)	40mm Carb STS, STX, ZXi (2 Required)	Exhaust STS 95-96 ZXi, STX (2 Required)	Head Pipe(95 STS Model)

Kawasaki 750 STS / STX / ZXi

No. 7115 OEM. 11060-3771	No. 7470 OEM. 11060-3754	No. 7120 OEM. 11060-3718	No. 7125 OEM. 11060-3763
Head Pipe(96 STS Model / STX)	Head Pipe(95-96ZXi Model)	Muffler 1 (95 STS Model)	Exhaust Joint (96 STS Model / STX)

No. 7135 OEM. 11060-3766	No. 7145 OEM. 11060-3770	No. 7480 OEM. 11060-3755	No. 7150 OEM. 11060-3723
Muffler 1 (96 STS Model)	Muffler 2 (96 STS)	Muffler (95-96ZXi Model)	Control Valve (All Models)

No. 5920 OEM. 92049-3705	No. 5930 OEM. 92049-3706	No. 5935K All
Crank Seal (2 Required)	Crank Seal	Crank Seal Kit

No. 7200K	No. 7225K	No. 7227K
750 Top Kit	750 Complete Kit (95 STS)	750 Complete Kit W/ Seals (95 STS)

No. 7245K	No. 7247K
750 Complete Kit (95+ ZXi)	750 Complete Kit W/ Seals (95+ ZXi)

Kawasaki 800 SXR

DESCRIPTION	OEM PART #	OURPART#
HEAD STAINLESS STEEL .010 *	11004-3720	7000
HEAD 83.25 MM BORE AND 84.50 MM BORE	NOE **	7000BB
BASE SXR *	11060-3711	7042
BASE GASKET P		7042.010
REED SXR (2 REQ'D) *	11060-3717	7050
REED SXR (2 REQ'D) *	11060-3757	7430
40mm CARB SXR (4 REQ'D) *	11060-3761	7067
EXHAUST SXR (2 REQ'D)	11060-3759	7075
EXHAUST WITH LARGER ID		7075-1
HEAD PIPE SXR	11060-3712	7080
UPPER MUFFLER SXR	11060-3713	7090
MUFFLER SXR	11060-3714	7140
SEALS		
CRANK SEAL (2 REQ'D)	92049-3713	5920
CRANK SEAL	92049-3706	5930
CRANK SEAL KIT	ALL	5935K
KITS		
800 TOP KIT	SEE PIC	7300K
800 COMPLETE KIT	SXR	7310K
800 COMPLETE KIT WITH SEALS	SXR	7320K

* DENOTES ITEM IS INCLUDED IN TOP KIT

** NOT ORIGINAL EQUIPMENT




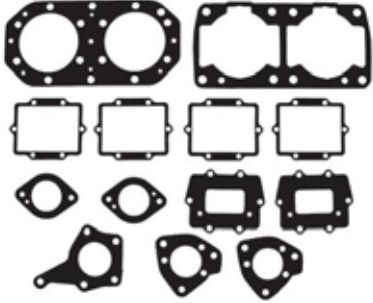


No. 7000 OEM. 11004-3714	No. 7000BB	No. 7042 OEM. 11060-3711	No. 7050 OEM. 11060-3717	No. 7430 OEM. 11060-3757
Head Gasket Stainless Steel .010	Head Gasket 83.25 MM Bore	Base Gasket SXR	Reed Gasket SXR (2 Required)	Reed Gasket SXR (2 Required)

No. 7067 OEM. 11060-3761	No. 7075 OEM. 11060-3759	No. 7080 OEM. 11060-3712	No. 7090 OEM. 11060-3713	No. 7140 OEM. 11060-3714
40mm Carb Gasket (4 Required)	Exhaust SXR (2 Required)	Head Pipe SXR	Upper Muffler SXR	Muffler SXR



Cometic Gasket - An Exclusive NASCAR Performance Product

Kawasaki 800 SXR

<p>No. 5920 OEM. 92049-3705</p>	<p>No. 5930 OEM. 92049-3706</p>	<p>No. 5935K All</p>
		
<p>Crank Seal (2 Required)</p>	<p>Crank Seal</p>	<p>Crank Seal Kit</p>
<p>No. 7300K</p>	<p>No. 7310K</p>	<p>No. 7320K</p>
		
<p>800 Top Kit</p>	<p>800 Complete Kit</p>	<p>800 Complete Kit W/ Seals</p>



WARNING: Cancer and Reproductive Harm www.P65Warnings.ca.gov

Kawasaki 900 1995+ STX / ZXi

DESCRIPTION	OEM PART #	OURPART#
HEAD STAINLESS STEEL .010 *	11004-3713	7400
HEAD ULTIMATE GREEN .047	ULTIMATE **	7410
BASE *	11060-3752	7420
REED (3 REQ'D) *	11060-3717	7050
REED CARB (3 REQ'D) *	11060-3757	7430
EXHAUST (3 REQ'D) *	11060-3756	7450
CARB BASE	11060-3753	7460
HEAD PIPE	11060-3754	7470
MUFFLER	11060-3755	7480
SEALS		
CRANK SEAL	92049-3713	5920
CRANK SEAL	92049-3715	7484
CRANK SEAL	92049-3716	7486
CRANK SEAL KIT	ALL	7488K
KITS		
900 TOP KIT	ALL	7500K
900 COMPLETE KIT	ALL	7520K
900 COMPLETE KIT WITH SEALS	ALL	7525K

* DENOTES ITEM IS INCLUDED IN TOP KIT

** NOT ORIGINAL EQUIPMENT

No. 7400 OEM. 11004-3713	No. 7410 NOE	No. 7420 OEM. 11060-3752	No. 7050 OEM. 11060-3717	No. 7430 OEM. 11060-3757
Head Stainless Steel .010	Head Gasket Ultimate Green .047	Base Gasket	Reed Gasket (3 Required)	Reed Gasket (3 Required)

No. 7450 OEM. 11060-3756	No. 7460 OEM. 11060-3753	No. 7470 OEM. 11060-3754	No. 7480 OEM. 11060-3755
Exhaust (3 Required)	Carb Base	Head Pipe	Muffler

No. 5920 OEM. 92049-3713	No. 7484 OEM. 92049-3715	No. 7486 OEM. 92049-3716	No. 7488K
Crank Seal	Crank Seal	Crank Seal	Crank Seal Kit





Cometic Gasket - An Exclusive NASCAR Performance Product

Kawasaki 900 1995+ STX / ZXi

No. 7500K	No. 7520K	No. 7525K
900 Top Kit	900 Complete Kit	900 Complete Kit W/ Seals

Kawasaki 1100 1996+ STX & ZXI

DESCRIPTION	OEM PART #	OURPART#
HEAD STAINLESS STEEL .010	11004-3715	7600
HEAD ULTIMATE GREEN .047	ULTIMATE **	7605
BASE GASKET	11060-3760	7615
BASE GASKET .016 PAPER		7615.016
BASE GASKET .020 PAPER		7615.020
BASE GASKET .030 PAPER		7615.030
REED (3 REQ'D)	11060-3717	7050
REED CARB (3 REQ'D)	11060-3757	7630
EXHAUST (3 REQ'D)	11060-3767	7650
CARB (1 REQ'D)	11060-3775	7652
CARB BASE GASKET CUSTOM		7652-1
CARB (1 REQ'D)	11060-3776	7655
HEAD PIPE	11060-3768	7660
MUFFLER	11060-3769	7665
SEALS		
CRANK SEAL	92049-3713	5920
CRANK SEAL	92049-3715	7484
CRANK SEAL	92049-3716	7486
CRANK SEAL KIT	ALL	7488K
KITS		
1100 COMPLETE KIT	ALL	7680K
1100 COMPLETE KIT WITH SEALS	ALL	7685K
1100 SUB KIT		7675K
1100 SUB CUSTOM KIT		7675CK

* DENOTES ITEM IS INCLUDED IN TOP KIT

No. 7600 OEM. 11004-3715	No. 7605	No. 7615 OEM. 11060-3760	No. 7050 OEM. 11060-3717	No. 7630 OEM. 11060-3757
Head Stainless Steel .010	Ultimate Green .047	Base Gasket	Reed Gasket (3 Required)	Reed Gasket (3 Required)

Kawasaki 1100 1996+ STX & ZXI

No. 7650 OEM. 11060-3767	No. 7652 OEM. 11060-3775	No. 7655 OEM. 11060-3776	No. 7660 OEM. 11060-3768	No. 7665 OEM. 11060-3769
Exhaust (3 Required)	Carb (1 Required)	Carb (1 Required)	Head Pipe	Muffler

Kawasaki 1100 1996+ ZXi

No. 5920 OEM. 92049-3713	No. 7484 OEM. 92049-3715	No. 7486 OEM. 92049-3716	No. 7488K
Crank Seal	Crank Seal	Crank Seal	Crank Seal Kit

No. 7680K	No. 7685K
1100 Complete Kit	1100 Complete Kit W/ Seals

No. 7675K	No. 7675CK
1100 Sub Kit	1100 Sub Kit



Cometic Gasket - An Exclusive NASCAR Performance Product

Kawasaki Ultra 150 1999+

DESCRIPTION	OEM PART #	OURPART#
HEAD STAINLESS STEEL .010 (3 REQ'D) *	11004-3717	7700
BASE (3 REQ'D) *	11060-3783	7715
WATER PIPE (3 REQ'D)	11060-3784	7720
REED (3 REQ'D) *	11060-3717	7050
REED CARB (3 REQ'D) *	11060-3757	7630
EXHAUST (3 REQ'D) *	11060-3785	7750
CARB (3 REQ'D)	11060-3788	7760
HEAD PIPE *	11060-3786	7770
EXHAUST BODY	11060-3787	7780
FLYWHEEL COVER	11060-3803	7790
SEALS		
CRANK SEAL	92049-3725	7800
CRANK SEAL	92049-3728	7810
CRANK SEAL (1999 ONLY)	92049-3729	7820
CRANK SEAL (2000+)	92049-3730	7822
CRANK SEAL KIT	1999 ONLY	7825K
CRANK SEAL KIT	2000+	7827K
KITS		
ULTRA 150 TOP KIT	ALL	7830K
ULTRA 150 COMPLETE KIT	ALL	7835K
ULTRA 150 COMPLETE KIT WITH SEALS	1999 ONLY	7840K
ULTRA 150 COMPLETE KIT WITH SEALS	2000+	7845K

* DENOTES ITEM IS INCLUDED IN TOP KIT

No. 7700 OEM. 11004-3717	No. 7715 OEM. 11060-3783	No. 7720 OEM. 11060-3784	No. 7050 OEM. 11060-3717	No. 7630 OEM. 11060-3757
Head Stainless Steel .010 (3 Required)	Base Gasket (3 Required)	Water Pipe (3 Required)	Reed Gasket (3 Required)	Reed Gasket (3 Required)

No. 7750 OEM. 11060-3785	No. 7760 OEM. 11060-3788	No. 7770 OEM. 11060-3786	No. 7780 OEM. 11060-3787	No. 7790 OEM. 11060-3803
Exhaust (3 Required)	Carb (3 Required)	Head Pipe	Exhaust Body	Flywheel Cover

Kawasaki Ultra 150 1999+

No. 7800 OEM. 92049-3725	No. 7810 OEM. 92049-3728	No. 7820 OEM. 92049-3729	No. 7822 OEM. 92049-3730
Crank Seal	Crank Seal	Crank Seal (1999 ONLY)	Crank Seal (2000+)

No. 7825K	No. 7827K
Crank Seal Kit (1999 ONLY)	Crank Seal Kit (2000+)

No. 7830K	No. 7835K
Ultra 150 Top Kit	Ultra 150 Complete Kit

No. 7840K	No. 7845K
Ultra 150 Complete Kit W/ Seals 1999	Ultra 150 Complete Kit W/ Seals 2000+

Kawasaki 4 STROKE / 1500SX-R

DESCRIPTION	OEM PART #	OUR PART#
HEAD 2007-10 250/260/300LX/300X SUPERCHARGED	11004-3723	3723
HEAD 2003-14 STX 12F/15F & ULTRA LX / 1500SX-R	11004-3721	3721
BASE ALL MODELS	11061-3708	3708
INTAKE MANIFOLD GRAFOIL (OEM) 2003-14 STX 12F/15F, ULTRA 250/260, ULTRA LX / 1500SX-R	11061-3716	3716G
INTAKE MANIFOLD PAPER 2003-14 STX 12F/15F, ULTRA 250/260, ULTRA LX / 1500SX-R		3716P
EXHAUST MANIFOLD 2003-14 12F/15F / 1500SX-R	11061-3713	3713
EXHAUST PIPE 2003-14 12F/15F ULTRA LX / 1500SX-R	11061-3714	3714
MUFFLER ULTRA 300X	11061-3768	3768
COMPRESSOR 2011-14 ULTRA 300 X & LX / 310 ALL	11061-3763	3763
COMPRESSOR INTAKE 07-10 ULTRA 250/260X & LX	11061-3764	3764
OUTPUT COVER 2003-14 ALL MODELS	11061-0812	0812
MUFFLER 07-14 ULTRA 250/260/300LX/300X/310 ALL		3768
MUFFLER 07-10 ULTRA 250/ 260X	11061-3760	3760
EXHAUST PIPE 07-14 250/260/300/310	11061-3762	3762
EXHAUST MANIFOLD 07-14 250/260/300/310	11061-3742	3742
FITS ALL MODELS		
VALVE COVER	11061-0090	0090
OIL PAN	11061-3710	3710 PF4N
OIL PAN	11061-3710	3710 GRN

No. 3721 OEM. 11004-3721	No. 3723 OEM. 11004-3723	No. 3708 OEM. 11061-3708	No. 3716 OEM. 11061-3716	No. 3713 OEM. 11061-3713
Head Gasket	Head Gasket	Base	INTAKE MANIFOLD	EXHAUST MANIFOLD

No. 3762 OEM. 11061-3762	No. 3714 OEM. 11061-3714	No. 3768 OEM. 11061-3768	No. 3760 OEM. 11061-3760	No. 0812 OEM. 11061-0812
EXHAUST PIPE	EXHAUST PIPE	MUFFLER ULTRA 300X	MUFFLER 250/260	OUTPUT COVER

No. 0090 OEM. 11061-0090	No. 3763 OEM. 11061-3763	No. 3742 OEM. 11061-3742	No. 3764 OEM. 11061-3764	No. 3710 OEM. 11061-3710
VALVE COVER	COMPRESSOR	EXHAUST MANIFOLD	COMPRESSOR	OIL PAN

Polaris 700, Hurricane 700, Virage, Freedom

DESCRIPTION	OEM PART#	OURPART#	DISTRIB.	DEALER
HEAD O-RING (2 REQ'D) *	5412232	4300		
CYLINDER O-RING (2 REQ'D) *	5410932	4305		
SPARK PLUG O-RING (2 REQ'D) *	5410917	4310		
BASE (2 REQ'D) *	5811057	4315		
BASE (2 REQ'D) * VIRAGE, FREEDOM .015	5811784	4805		
REED (ENGINE SIDE)	NOE **	4317		
REED (CARB SIDE)	NOE **	4319		
CARB (2 REQ'D) *	5830043	4320		
ARRESTOR	5830062	4325		
EXHAUST (2 REQ'D) *	5811045	4330		
HEAD PIPE *	5830051	4335		
FLYWHEEL COVER	5811145	4337		
WATER MANIFOLD (2 REQ'D)	5830061	4339		
OIL PUMP O-RING	5411056	4340		
THERMOSTAT HOUSING	5410860	4353		
CRANK O-RING	5410613	4356		
STARTER O-RING (2 REQ'D)	3240114	4359		
SEALS				
OIL SEAL	5410913	4365		
OIL SEAL VIRAGE, FREEDOM (2 REQ'D)	5411937	4835		
OIL SEAL	3610044	4368		
OIL SEAL KIT 700, HURRICANE	700,HURRICANE	4370K		
OIL SEAL KIT VIRAGE, FREEDOM	VIRAGE, FREEDOM	4372K		
KITS				
700 TOP KIT	ALL	4375K		
700 COMPLETE KIT	700, HURRICANE	4378K		
700 COMPLETE KIT WITH SEALS	700, HURRICANE	4379K		
VIRAGE, FREEDOM TOP KIT	ALL	4382K		
VIRAGE, FREEDOM COMPLETE KIT	VIRAGE, FREEDOM	4386K		
VIRAGE, FREEDOM COMPLETE KIT W/ SEALS	VIRAGE, FREEDOM	4388K		

* DENOTES ITEM IS INCLUDED IN TOP KIT
 ** NOT ORIGINAL EQUIPMENT

No. 4300 OEM. 5412232	No. 4305 OEM. 5410932	No. 4310 OEM. 5410917	No. 4315 OEM. 5811057	No. 4805 OEM. 5811784
Head O-Ring (2 Required)	Cylinder O-Ring (2 Required)	Spark Plug O-Ring (2 Required)	Base (2 Required)	Base (2 Required) Virage, Freedom

No. 4317 NOE	No. 4319 NOE	No. 4320 OEM. 5830043	No. 4325 OEM. 5830062
Reed (Engine Side)	Reed (Carb Side)	Carb (2 Required)	Arrestor



Cometic Gasket - An Exclusive NASCAR Performance Product

Polaris 700, Hurricane 700, Virage, Freedom

No. 4330 OEM. 5811045	No. 4335 OEM. 5830051	No. 4337 OEM. 5811145	No. 4339 OEM. 5830061
Exhaust (2 Required)	Head Pipe	Flywheel Cover	Water Manifold (2 Required)

No. 4340 OEM. 5411056	No. 4353 OEM. 5410860	No. 4356 OEM. 5410613	No. 4359 OEM. 3240114
Oil Pump O-Ring ALL	Thermostat Housing	Crank O-Ring	Starter O-Ring

No. 4365 OEM. 5410913	No. 4835 OEM. 5411937	No. 4368 OEM. 3610044	No. 4370K	No. 4372K
Oil Seal	Oil Seal Virage, Freedom	Oil Seal	Oil Seal Kit 700, Hurricane	Oil Seal Kit Virage, Freedom

No. 4375K	No. 4378K	No. 4379K
Top Kit 700, Hurricane	Complete Kit 700, Hurricane	Complete Kit W/Seals 700, Hurricane



Cometic Gasket - An Exclusive NASCAR Performance Product

Polaris 700, Hurricane 700, Virage, Freedom

No. 4382K	No. 4386K	No. 4388K
Top Kit Virage, Freedom	Complete Kit Virage, Freedom	Complete Kit W/Seals Virage, Freedom

Polaris Octane 777

DESCRIPTION	OEM PART #	OURPART#	DISTRIB.	DEALER
HEAD O-RING (2 REQ'D) *	5412232	4300		
CYLINDER O-RING (2 REQ'D) *	5411573	4306		
SPARK PLUG O-RING (2 REQ'D) *	5410917	4310		
BASE (2 REQ'D) * .015	5811784	4805		
REED (ENGINE SIDE)	NOE **	4317		
REED (CARB SIDE)	NOE **	4319		
CARB (2 REQ'D) *	5830043	4320		
INJECTOR O-RING	5412393	4810		
ARRESTOR (2 REQ'D)	5830062	4325		
EXHAUST (2 REQ'D) *	5811045	4330		
ADAPTER	5812404	2330		
HEAD PIPE *	5812403	5900		
HEAD PIPE * VIRAGE 1 AFM-20 1.10	5830051	4815		
FLYWHEEL COVER	5811550	4337		
FLYWHEEL COVER VIRAGE 1	5812474	4820		
WATER JACKET VIRAGE 1	5812011	4825		
WATER MANIFOLD (2 REQ'D)	5830061	4339		
OIL PUMP COVER	5811789	4830		
OIL PUMP O-RING	5411293	4340		
SEALS				
CRANK O-RING	5410613	4356		
OIL SEAL PTO OCTANE (2 REQ'D)	5411937	4835		
OIL SEAL PTO VIRAGE 1 (2 REQ'D)	5412091	4840		
OIL SEAL	3610044	4368		
OIL SEAL KIT OCTANE	OCTANE	4845K		
OIL SEAL KIT VIRAGE 1	VIRAGE 1	4850K		
KITS				
OCTANE TOP KIT		4855K		
OCTANE COMPLETE KIT	OCTANE	4860K		
OCTANE COMPLETE KIT WITH SEALS	OCTANE	4865K		
VIRAGE 1 TOP KIT		4870K		
VIRAGE 1 COMPLETE KIT	VIRAGE 1	4875K		
VIRAGE 1 COMPLETE KIT WITH SEALS	VIRAGE 1	4880K		

* DENOTES ITEM IS INCLUDED IN TOP KIT

** NOT ORIGINAL EQUIPMENT



Polaris Octane 777

No. 4300 OEM. 5412232	No. 4306 OEM. 5411573	No. 4310 OEM. 5410917	No. 4805 OEM. 5811784	No. 4317 NOE
Head O-Ring (2 Required)	Cylinder O-Ring (2 Required)	Spark Plug O-Ring (2 Required)	Base (2 Required)	Reed (Engine Side)

No. 4319 NOE	No. 4320 OEM. 5830043	No. 4810 OEM. 5412393	No. 4325 OEM. 5830062	No. 4330 OEM. 5811045
Reed (Carb Side)	Carb (2 Required)	Injector O-Ring	Arrestor (2 Required)	Exhaust (2 Required)

No. 2330 OEM. 5812404	No. 5900 OEM. 5812403	No. 4815 OEM. 5830051	No. 4337 OEM. 5811550	No. 4820 OEM. 5812474
Adapter	Head Pipe	Head Pipe Virage 1Afm-20 1.10	Flywheel Cover	Flywheel Cover Virage 1

No. 4825 OEM. 5812011	No. 4339 OEM. 5830061	No. 4830 OEM. 5811789	No. 4340 OEM. 5411293
Water Jacket Virage 1	Water Manifold (2 Required)	Oil Pump Cover	Oil Pump O-Ring

No. 4356 OEM. 5410613	No. 4835 OEM. 5411937	No. 4840 OEM. 5412091	No. 4368 OEM. 3610044	No. 4845K	No. 4850K
Crank O-Ring	Oil Seal PTO Octane (2 Required)	Oil Seal PTO Virage (2 Required)	Oil Seal	Oil Seal Kit Octane	Oil Seal Kit Virage 1



Cometic Gasket - An Exclusive NASCAR Performance Product

Polaris Octane 777

No. 4855K	No. 4860K	No. 4865K	No. 4870K	No. 4875K	No. 4880K
Octane Top Kit	Octane Complete Kit	Octane Complete Kit W/ Seals	Virage 1 Top Kit	Virage 1 Complete Kit	Virage 1 Complete Kit W/ Seals

Polaris 650 / 750

DESCRIPTION	OEM PART#	OURPART#	DISTRIB.	DEALER
HEAD 650 SS (3 REQ'D) *	3240057	4000		
HEAD 750 SS (3 REQ'D) *	3240213	4010		
HEAD 650 ULTIMATE GREEN .047	ULTIMATE	4020		
BASE (3 REQ'D) *	3240055	4040		
REED (6 REQ'D) *	3084148	4050		
CARB (6 REQ'D) *	3240128	5030		
AIR CLEANER (3 REQ'D)	5830013	4065		
EXHAUST (3 REQ'D) *	5211489	4070		
HEAD PIPE *	5830038	4080		
WATER MANIFOLD (3 REQ'D)	3082937	4100		
THERMOSTAT HOUSING	5410781	4110		
OIL PUMP O-RING	3083127	4112		
STARTER O-RING (2 REQ'D)	3240114	4359		
GAS CAP SEAL	5810871	4115		
SEALS				
OIL SEAL	3240041	4120		
OIL SEAL	3240042	4125		
OIL SEAL	3240043	4130		
OIL SEAL KIT	ALL	4135K		
KITS				
650 TOP KIT	650	4200K		
650 COMPLETE KIT	ALL	4210K		
650 COMPLETE KIT WITH SEALS	ALL	4215K		
750 TOP KIT	750	4220K		
750 COMPLETE KIT	ALL	4230K		
750 COMPLETE KIT WITH SEALS	ALL	4232K		

* DENOTES ITEM IS INCLUDED IN TOP KIT

No. 4000 OEM. 3240057	No. 4010 OEM. 3240213	No. 4020 ULTIMATE	No. 4040 OEM. 3240055	No. 4050 OEM. 3084148
Head 650 SS (3 Required)	Head 750 SS (3 Required)	Head 650 .047	Base (3 Required)	Reed (6 Required)

Polaris 650 / 750

No. 5030 OEM. 3240128	No. 4065 OEM. 5830013	No. 4070 OEM. 5211489	No. 4080 OEM. 5830038	No. 4100 OEM. 3082937
Carb (6 Required)	Air Cleaner (3 Required)	Exhaust (3 Required)	Head Pipe	Water Manifold (3 Required)

No. 4110 OEM. 5410781	No. 4112 OEM. 3083127	No. 4359 OEM. 3240114	No. 4115 OEM. 5810871
Thermostat Housing	Oil Pump O-Ring	Starter O-Ring (2 Required)	Gas Cap Seal

No. 4120 OEM. 3240041	No. 4125 OEM. 3240042	No. 4130 OEM. 3240043	No. 4135K
Oil Seal	Oil Seal	Oil Seal	Oil Seal Kit

No. 4200K	No. 4210K	No. 4215K
650 Top Kit	650 Complete Kit	650 Complete Kit W/ Seals



Cometic Gasket - An Exclusive NASCAR Performance Product

Polaris 650 / 750

No. 4220K	No. 4230K	No. 4232K
750 Top Kit	750 Complete Kit	750 Complete Kit W/ Seals

Polaris 780 / 785 PRO

DESCRIPTION	OEM PART #	OURPART#	DISTRIB.	DEALER
HEAD 780 STAINLESS STEEL (3 REQ'D) *	3240251	4035		
HEAD 785 STAINLESS STEEL *	3240305	4037		
BASE (3 REQ'D) *	3240249	4040		
REED (9 REQ'D) *	3084148	4050		
780 CARB (3 REQ'D) *	3240128	5030		
785 CARB (3 REQ'D) *	3240358	9240		
780 AIR CLEANER (3 REQ'D)	5830013	4065		
785 AIR CLEANER (3 REQ'D)	5830115	5540		
780 EXHAUST *	5211623	4077		
785 EXHAUST *	5211725	4078		
785 EXHAUST O-RING (6 REQ'D)	5411311	4079		
HEAD PIPE *	5830038	4080		
785 POWER VALVE (3 REQ'D)	3240313	4085		
WATER MANIFOLD (3 REQ'D)	3082937	4100		
OIL PUMP O-RING	3083127	4112		
THERMOSTAT HOUSING	5410781	4110		
STARTER O-RING (2 REQ'D)	3240114	4359		
GAS CAP SEAL	5810871	4115		
SEALS				
OIL SEAL	3240041	4120		
OIL SEAL	3240042	4125		
OIL SEAL	3240043	4130		
OIL SEAL KIT	ALL	4135K		
KITS				
780 TOP KIT *	780	4235K		
780 COMPLETE KIT	780	4240K		
780 COMPLETE KIT WITH SEALS	780	4245K		
785 TOP KIT *	785	4250K		
785 COMPLETE KIT	785	4260K		
785 COMPLETE KIT WITH SEALS	785	4265K		

* DENOTES ITEM IS INCLUDED IN TOP KIT

Polaris 780 / 785 PRO

No. 4035 OEM. 3240251	No. 4037 OEM. 3240305	No. 4040 OEM. 3240249	No. 4050 OEM. 3084148	No. 5030 OEM. 3240128	No. 9240 OEM. 3240358
Head 780 SS (3 Required)	Head 785 SS	Base (3 Required)	Reed (6 Required)	780 Carb (3 Required)	785 Carb (3 Required)

No. 4065 OEM. 5830013	No. 5540 OEM. 5830115	No. 4077 OEM. 5211623	No. 4078 OEM. 5211725	No. 4079 OEM. 5411311	No. 4080 OEM. 5830038
780 Air Cleaner (3 Required)	785 Air Cleaner (3 Required)	780 Exhaust	785 Exhaust	785 Exhaust O-Ring (6 Required)	Head Pipe

No. 4085 OEM. 3240313	No. 4100 OEM. 3082937	No. 4112 OEM. 3083127	No. 4110 OEM. 5410781	No. 4359 OEM. 3240114	No. 4115 OEM. 5810871
785 Power Valve (3 Required)	Water Manifold (3 Required)	Oil Pump O-Ring	Thermostat Housing	Starter O-Ring (2 Required)	Gas Cap Seal

No. 4120 OEM. 3240041	No. 4125 OEM. 3240042	No. 4130 OEM. 3240043	No. 4135K
Oil Seal	Oil Seal	Oil Seal	Oil Seal Kit

No. 4235K	No. 4240K	No. 4245K
780 Top Kit	780 Complete Kit	780 Complete Kit W/ Seals



Cometic Gasket - An Exclusive NASCAR Performance Product

Polaris 780 / 785 PRO

No. 4250K	No. 4260K	No. 4265K
785 Top Kit	785 Complete Kit	785 Complete Kit W/ Seals

Polaris 900

DESCRIPTION	OEM PART #	OURPART#	DISTRIB.	DEALER
HEAD O-RING (3 REQ'D) *	5410931	4300		
CYLINDER O-RING (3 REQ'D) *	5410932	4303		
SPARK PLUG O-RING (3 REQ'D) *	5410917	4310		
BASE (3 REQ'D) *	5811057	4315		
REED	NOE **	4318		
CARB (3 REQ'D) *	5830043	4320		
AIR CLEANER (3 REQ'D)	5830062	4325		
EXHAUST (3 REQ'D) *	5811045	4330		
HEAD PIPE *	5830051	4335		
FLYWHEEL COVER	5811550	4337		
WATER MANIFOLD	5830061	4339		
OIL PUMP O-RING	5411293	4340		
THERMOSTAT HOUSING	5410860	4353		
CRANK O-RING	5410613	4356		
STARTER O-RING	3240114	4359		
SEALS				
OIL SEAL	5411524	4365		
OIL SEAL	3610044	4368		
OIL SEAL KIT	ALL	4370K		
KITS				
900 TOP KIT *	*	4380K		
900 COMPLETE KIT	ALL	4383K		
900 COMPLETE KIT WITH SEALS	ALL	4384K		

* DENOTES ITEM IS INCLUDED IN TOP KIT

** NOT ORIGINAL EQUIPMENT

No. 4300 OEM. 5410931	No. 4303 OEM. 5410932	No. 4310 OEM. 5410917	No. 4315 OEM. 5811057	No. 4318
Head O-Ring (3 Required)	Cylinder O-Ring (3 Required)	Spark Plug O-Ring (3 Required)	Base (3 Required)	Reed Gasket





Cometic Gasket - An Exclusive NASCAR Performance Product

Polaris 900

No. 4320 OEM. 5830043	No. 4325 OEM. 5830062	No. 4330 OEM. 5811045	No. 4335 OEM. 5830051	No. 4337 OEM. 5811550
Carb (3 Required)	Air Cleaner (3 Required)	Exhaust (3 Required)	Head Pipe	Flywheel Cover

No. 4339 OEM. 5830061	No. 4340 OEM. 5411293	No. 4353 OEM. 5410860	No. 4356 OEM. 5410613	No. 4359 OEM. 3240114
Water Manifold	Oil Pump O-Ring	Thermostat Housing	Crank O-Ring	Starter O-Ring

No. 4365 OEM. 5411524	No. 4368 OEM. 3610044	No. 4370K
Oil Seal	Oil Seal	Oil Seal Kit

No. 4380K	No. 4383K	No. 4384K
900 Top Kit	900 Complete Kit	900 Complete Kit W/ Seals

Polaris 1050

DESCRIPTION	OEM PART #	OURPART#	DISTRIB.	DEALER
HEAD O-RING (3 REQ'D) *	5410931	4300		
CYLINDER O-RING (3 REQ'D) *	5410932	4305		
SPARK PLUG O-RING (3 REQ'D) *	5410917	4310		
BASE (3 REQ'D) *	5811057	4316		
REED	NOE **	4318		
CARB (3 REQ'D) *	5830043	4320		
AIR CLEANER (3 REQ'D)	5830062	4325		
EXHAUST (3 REQ'D) *	5811045	4330		
HEAD PIPE *	5830051	4335		
FLYWHEEL COVER	5811550	4337		
WATER MANIFOLD	5830061	4339		
OIL PUMP O-RING	5411293	4340		
THERMOSTAT HOUSING	5410860	4353		
CRANK O-RING	5410613	4356		
STARTER O-RING	3240114	4359		
SEALS				
OIL SEAL	5411524	4365		
OIL SEAL	3610044	4368		
OIL SEAL KIT	ALL	4370K		
KITS				
1050 TOP KIT *	*	4385K		
1050 COMPLETE KIT	ALL	4390K		
1050 COMPLETE KIT WITH SEALS	ALL	4392K		

* DENOTES ITEM IS INCLUDED IN TOP KIT
 ** NOT ORIGINAL EQUIPMENT

No. 4300 OEM. 5410931	No. 4305 OEM. 5410932	No. 4310 OEM. 5410917	No. 4316 OEM. 5811057	No. 4318
Head O-Ring(3 Required)	Cylinder O-Ring(3 Required)	Spark Plug O-Ring(3 Required)	Base (3 Required)	Reed Gasket

No. 4320 OEM. 5830043	No. 4325 OEM. 5830062	No. 4330 OEM. 5811045	No. 4335 OEM. 5830051	No. 4337 OEM. 5811550
Carb (3 Required)	Air Cleaner (3 Required)	Exhaust (3 Required)	Head Pipe	Flywheel Cover

Polaris 1050

No. 4339 OEM. 5830061	No. 4340 OEM. 5411293	No. 4353 OEM. 5410860	No. 4356 OEM. 5410613	No. 4359 OEM. 3240114
Water Manifold	Oil Pump O-Ring	Thermostat Housing	Crank O-Ring	Starter O-Ring

No. 4365 OEM. 5411524	No. 4368 OEM. 3610044	No. 4370K
Oil Seal	Oil Seal	Oil Seal Kit

No. 4385K	No. 4390K	No. 4392K
1050 Top Kit	1050 Complete Kit	1050 Complete Kit W/ Seals



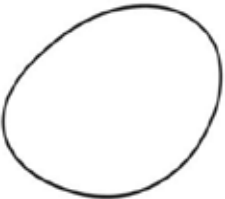
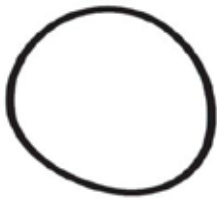


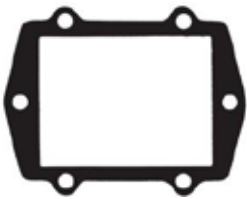
Cometic Gasket - An Exclusive NASCAR Performance Product





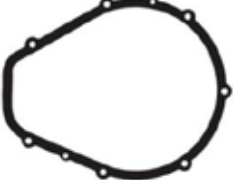
Polaris 1200 Genesis

DESCRIPTION	OEM PART #	OURPART#	DISTRIB.	DEALER
HEAD O-RING (3 REQ'D) *	5410931	4300		
CYLINDER O-RING (3 REQ'D) *	5411573	4306		
SPARK PLUG O-RING (3 REQ'D) *	5410917	4310		
BASE (3 REQ'D) *	5830123	4316		
REED	NOE **	4318		
CARB (3 REQ'D) *	5830043	4320		
AIR CLEANER (3 REQ'D)	5830062	4325		
EXHAUST (3 REQ'D) *	5811045	4330		
HEAD PIPE *	5830051	4335		
FLYWHEEL COVER	5811550	4337		
WATER MANIFOLD	5830061	4339		
OIL PUMP O-RING	5411293	4340		
THERMOSTAT HOUSING	5410860	4353		
CRANK O-RING	5410613	4356		
STARTER O-RING	3240114	4359		
SEALS				
OIL SEAL	5411524	4365		
OIL SEAL	3610044	4368		
OIL SEAL (2 REQ'D)	5411937	4835		
OIL SEAL KIT (1999 ONLY)	1999	4370K		
OIL SEAL KIT (2000+)	2000+	4845K		
KITS				
1200 TOP KIT	ALL	4394K		
1200 COMPLETE KIT	ALL	4395K		
1200 COMPLETE KIT WITH SEALS	ALL	4398K		

* DENOTES ITEM IS INCLUDED IN TOP KIT

** NOT ORIGINAL EQUIPMENT

No. 4300 OEM. 5410931	No. 4306 OEM. 5411573	No. 4310 OEM. 5410917	No. 4316 OEM. 5830123	No. 4318
				
Head O-Ring (3 Required)	Cylinder O-Ring (3 Required)	Spark Plug O-Ring (3 Required)	Base (3 Required)	Reed Gasket

No. 4320 OEM. 5830043	No. 4325 OEM. 5830062	No. 4330 OEM. 5811045	No. 4335 OEM. 5830051	No. 4337 OEM. 5811550
				
Carb (3 Required)	Air Cleaner (3 Required)	Exhaust (3 Required)	Head Pipe	Flywheel Cover



Cometic Gasket - An Exclusive NASCAR Performance Product

Polaris 1200 Genesis

No. 4339 OEM. 5830061	No. 4340 OEM. 5411293	No. 4353 OEM. 5410860	No. 4356 OEM. 5410613	No. 4359 OEM. 3240114
Water Manifold	Oil Pump O-Ring	Thermostat Housing	Crank O-Ring	Starter O-Ring

No. 4365 OEM. 5411524	No. 4368 OEM. 3610044	No. 4370K
Oil Seal	Oil Seal	Oil Seal Kit

No. 4394K	No. 4395K	No. 4398K
1200 Top Kit	1200 Complete Kit	1200 Complete Kit W/ Seals

Seadoo 580 Pre 1992 SP/XP/GT Yellow Engine

DESCRIPTION	OEM PART #	OURPART#
HEAD COVER O-RING *	290-950-050	6200
SPARK PLUG O-RING (2 REQ'D) *	290-430-782	6220
CYLINDER O-RING (2 REQ'D) *	290-850-540	6170
WATER JACKET O-RING (2 REQ'D) *	290-850-040	6230
BASE GASKET *	290-931-160	6000
CARB 38MM (2 REQ'D) *	290-842-040	6100
EXHAUST (2 REQ'D) *	290-850-630	6050
HEADPIPE *	290-950-250	6140
STARTER	290-830-905	6120
WATER DISTRIBUTOR	290-831-612	6110
WATER MANIFOLD O-RING (2 REQ'D) *	290-430-460	6240
FLYWHEEL HOUSING	290-850-600	6125
ROTARY VALVE SHAFT O-RING	290-831-500	6260
ROTARY VALVE COVER O-RING	290-831-360	6250
MANIFOLD O-RING (2 CARB)	290-831-705	6270
MANIFOLD O-RING (1 CARB)	290-850-160	6275
FLYWHEEL COVER O-RING	290-950-130	6280
SEALS		
OIL SEAL PTO	290-831-952	6330
FLYWHEEL OIL SEAL	290-830-749	6320
ROTARY VALVE OIL SEAL	290-930-580	6340
OIL SEAL KIT	ALL	6345K
KITS		
580 TOP KIT	ALL	6400K
580 COMPLETE KIT	ALL	6425K
580 COMPLETE KIT WITH SEALS	ALL	6427K

* DENOTES ITEM IS INCLUDED IN TOP KIT

No. 6200 OEM. 290-950-050	No. 6220 OEM. 290-430-782	No. 6170 OEM. 290-850-540	No. 6230 OEM. 290-850-040	No. 6000 OEM. 290-931-160
Head Cover O-Ring	Spark Plug O-Ring (2 Required)	Cylinder O-Ring (2 Required)	Water Jacket O-Ring (2 Required)	Base Gasket

No. 6100 OEM. 290-842-040	No. 6050 OEM. 290-850-630	No. 6140 OEM. 290-950-250	No. 6120 OEM. 290-830-905
Carb 38MM (2 Required)	Exhaust (2 Required)	Headpipe	Starter



Cometic Gasket - An Exclusive NASCAR Performance Product

Seadoo 580 Pre 1992 SP/XP/GT Yellow Engine

No. 6110 OEM. 290-831-612	No. 6240 OEM. 290-430-460	No. 6125 OEM. 290-850-600	No. 6260 OEM. 290-831-500
Water Distributor	Water Manifold O-Ring (2 Required)	Flywheel Housing	Rotary Valve Shaft O-Ring
No. 6250 OEM. 290-831-360	No. 6270 OEM. 290-831-705	No. 6275 OEM. 290-850-160	No. 6280 OEM. 290-950-130
Rotary Valve Cover O-Ring	Manifold O-Ring (2 Carb)	Manifold O-Ring (1 Carb)	Flywheel Cover O-Ring
No. 6330 OEM. 290-831-952	No. 6320 OEM. 290-830-749	No. 6340 OEM. 290-930-580	No. 6345K
Oil Seal PTO	Flywheel Oil Seal	Rotary Valve Oil Seal	Oil Seal Kit
No. 6400K	No. 6425K	No. 6427K	
580 Top Kit	580 Complete Kit	580 Complete Kit W/ Seals	

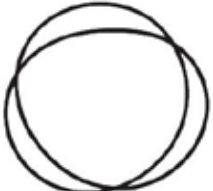

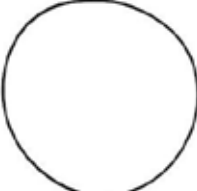
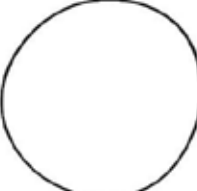







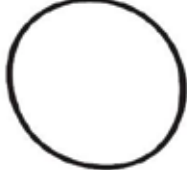
Cometic Gasket - An Exclusive NASCAR Performance Product

Seadoo 580 1992+ SP/SPI/XP/GTS White Engine

DESCRIPTION	OEM PART #	OURPART#
HEAD COVER O-RING *	290-950-360	6205
SPARK PLUG O-RING (2 REQ'D) *	290-430-782	6220
CYLINDER O-RING (2 REQ'D) *	293-300-026	6170
WATER JACKET O-RING (2 REQ'D) *	290-850-040	6230
BASE *	290-931-161	6020
CARB 38MM (2 REQ'D) *	290-850-373	6100
CARB 39MM (2 REQ'D) *	270-000-114	6105
EXHAUST (2 REQ'D) *	290-850-635	6060
HEADPIPE *	290-950-251	6150
STARTER O-RING	278-000-694	6152
FLYWHEEL HOUSING	290-850-605	6130
ROTARY VALVE COVER O-RING	293-300-023	6250
ROTARY VALVE SHAFT O-RING	293-300-024	6260
MANIFOLD O-RING (2 CARB)	290-831-705	6270
FLYWHEEL COVER O-RING	290-831-555	6278
SEALS		
OIL SEAL PTO	290-831-952	6330
FLYWHEEL OIL SEAL	290-830-749	6320
ROTARY VALVE OIL SEAL	290-930-580	6340
CRANK SEAL KIT	ALL	6345K
KITS		
580 TOP KIT	ALL	6440K
580 COMPLETE KIT	ALL	6465K
580 COMPLETE KIT WITH SEALS	ALL	6470K

* DENOTES ITEM IS INCLUDED IN TOP KIT

No. 6205 OEM. 290-950-360	No. 6220 OEM. 290-430-782	No. 6170 OEM. 290-850-540	No. 6230 OEM. 290-850-040	No. 6020 OEM. 290-931-160
				
Head Cover O-Ring	Spark Plug O-Ring (2 Required)	Cylinder O-Ring (2 Required)	Water Jacket O-Ring (2 Required)	Base Gasket

No. 6100 OEM. 290-842-040	No. 6105 OEM. 270-000-114	No. 6060 OEM. 290-850-635	No. 6150 OEM. 290-950-251	No. 6152 OEM. 278-000-694
				
Carb 38MM (2 Required)	Carb 39MM (2 Required)	Exhaust (2 Required)	Headpipe	Starter O-Ring



Cometic Gasket - An Exclusive NASCAR Performance Product

Seadoo 580 1992+ SP/SPI/XP/GTS White Engine

No. 6130 OEM. 290-850-605	No. 6250 OEM. 293-300-023	No. 6260 OEM. 293-300-024	No. 6270 OEM. 290-831-705	No. 6278 OEM. 290-831-555
Flywheel Housing	Rotary Valve Cover O-Ring	Rotary Valve Shaft O-Ring	Manifold O-Ring (2 Carb)	Flywheel Cover O-Ring

No. 6330 OEM. 290-831-952	No. 6320 OEM. 290-830-749	No. 6340 OEM. 290-930-580	No. 6345K
Oil Seal PTO	Flywheel Oil Seal	Rotary Valve Oil Seal	Oil Seal Kit

No. 6440K	No. 6465K	No. 6470K
580 Top Kit	580 Complete Kit	580 Complete Kit W/ Seals

Seadoo 650 GTX/XP/XPI/ SPX

DESCRIPTION	OEM PART #	OURPART#
HEAD COVER O-RING *	290-950-320	6210
SPARK PLUG O-RING (2 REQ'D) *	290-430-782	6220
CYLINDER O-RING (2 REQ'D) *	290-931-220	6180
WATER JACKET O-RING (2 REQ'D) *	290-850-045	6235
BASE (4 HOLE 0.16)	290-931-161	6020.016
BASE (5 HOLE 0.20) *	290-931-161	6020.020
BASE (6 HOLE 0.24)	290-931-161	6020.024
BASE (8 HOLE 0.30)	290-931-161	6020.032
CARB 38MM (2 REQ'D) *	290-850-373	6100
EXHAUST (2 REQ'D) *	290-850-637	6080
HEADPIPE *	290-950-251	6150
STARTER O-RING	278-000-694	6152
FLYWHEEL HOUSING	290-850-605	6130
ROTARY VALVE COVER O-RING	293-300-023	6250
ROTARY VALVE O-RING	293-300-024	6260
MANIFOLD O-RING	290-831-705	6270
FLYWHEEL COVER O-RING	290-831-555	6278
SEALS		
FLYWHEEL OIL SEAL	290-830-749	6320
OIL SEAL PTO	290-831-952	6330
ROTARY VALVE OIL SEAL	290-930-580	6340
CRANK SEAL KIT	ALL	6345K
KITS		
650 TOP KIT	ALL	6480K
650 COMPLETE KIT	ALL	6500K
650 COMPLETE KIT WITH SEALS	ALL	6505K

* DENOTES ITEM IS INCLUDED IN TOP KIT

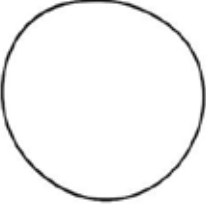

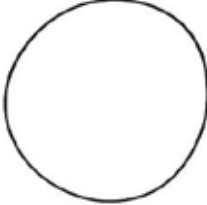

No. 6210 OEM. 290-950-320	No. 6220 OEM. 290-430-782	No. 6180 OEM. 290-931-220	No. 6235 OEM. 290-850-045	No. 6020.3-6020.8 OEM. 290-931-161
Head Cover O-Ring	Spark Plug O-Ring (2 Required)	Cylinder O-Ring (2 Required)	Water Jacket O-Ring (2 Required)	Base Gasket (3-8 Hole)

No. 6100 OEM. 290-850-373	No. 6080 OEM. 290-850-637	No. 6150 OEM. 290-950-251	No. 6152 OEM. 278-000-694	No. 6130 OEM. 290-850-605
Carb 38MM (2 Required)	Exhaust (2 Required)	Headpipe	Starter O-Ring	Flywheel Housing

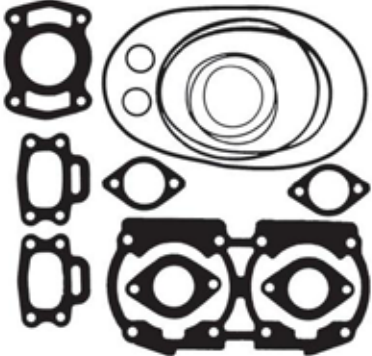
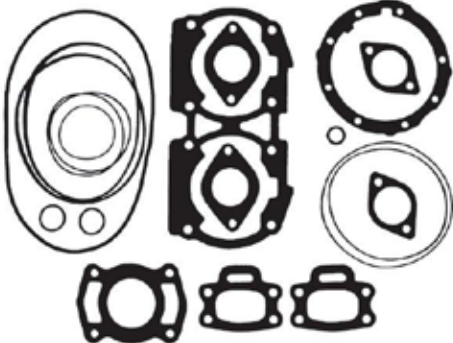
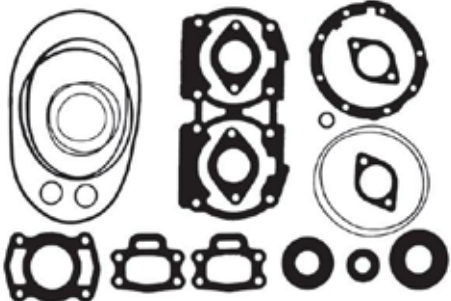


Cometic Gasket - An Exclusive NASCAR Performance Product

Seadoo 650 GTX/XP/XPI/SPX

No. 6250 OEM. 290-300-023	No. 6260 OEM. 293-300-024	No. 6270 OEM. 290-831-705	No. 6278 OEM. 290-831-555
			
Rotary Valve Cover O-Ring	Rotary Valve O-Ring	Manifold O-Ring	Flywheel Cover O-Ring

No. 6330 OEM. 290-831-952	No. 6320 OEM. 290-830-749	No. 6340 OEM. 290-930-580	No. 6345K
			
Oil Seal PTO	Flywheel Oil Seal	Rotary Valve Oil Seal	Oil Seal Kit

No. 6480K	No. 6500K	No. 6505K
		
650 Top Kit	650 Complete Kit	650 Complete Kit W/ Seals

Seadoo 720 SPX/GTI/HX/GTS/GS

DESCRIPTION	OEM PART #	OURPART#
HEAD COVER O-RING *	290-950-360	6205
SPARK PLUG O-RING (2 REQ'D) *	290-430-782	6220
CYLINDER O-RING (2 REQ'D) *	290-931-410	6185
WATER JACKET O-RING (2 REQ'D) *	290-850-045	6235
BASE (4 HOLE 0.16)	290-931-400	6025.016
BASE (5 HOLE 0.20) *	290-931-400	6025.020
BASE (6 HOLE 0.24)	290-931-400	6025.024
BASE (8 HOLE 0.30)	290-931-400	6025.030
CARB 41MM (2 REQ'D) *	293-250-042	6107
EXHAUST (2 REQ'D) *	290-850-637	6080
HEADPIPE *	290-950-251	6150
STARTER O-RING	278-000-694	6152
FLYWHEEL HOUSING	290-850-605	6130
ROTARY VALVE COVER O-RING	293-300-023	6250
ROTARY VALVE SHAFT O-RING	293-300-024	6260
FLYWHEEL COVER O-RING	290-831-555	6278
SEALS		
FLYWHEEL OIL SEAL	290-830-749	6320
PTO OIL SEAL	290-831-952	6330
ROTARY VALVE OIL SEAL	290-930-580	6340
CENTER CRANK OIL SEAL	420-831-990	6347
CENTER CRANK OIL SEAL	420-831-355	6348
CRANK SEAL KIT		6345K
KITS		
720 TOP KIT	ALL	6600K
720 COMPLETE KIT	ALL	6610K
720 COMPLETE KIT WITH SEALS	ALL	6615K

* DENOTES ITEM IS INCLUDED IN TOP KIT

No. 6205 OEM. 290-950-360	No. 6220 OEM. 290-430-782	No. 6185 OEM. 290-931-410	No. 6235 OEM. 290-850-045	No. 6025.4-6025.8 OEM. 290-931-400
Head Cover O-Ring	Spark Plug O-Ring (2 Required)	Cylinder O-Ring (2 Required)	Water Jacket O-Ring (2 Required)	Base Gasket (4-8 Hole)

No. 6107 OEM. 293-250-042	No. 6080 OEM. 290-850-637	No. 6150 OEM. 290-950-251	No. 6152 OEM. 278-000-694
Carb 41MM (2 Required)	Exhaust (2 Required)	Headpipe	Starter O-Ring



Cometic Gasket - An Exclusive NASCAR Performance Product

Seadoo 720 SPX/GTI/HX/GTS/GS

No. 6130 OEM. 290-850-605	No. 6250 OEM. 290-300-023	No. 6260 OEM. 293-300-024	No. 6278 OEM. 290-831-555
Flywheel Housing	Rotary Valve Cover O-Ring	Rotary Valve O-Ring	Flywheel Cover O-Ring

No. 6320 OEM. 290-830-749	No. 6330 OEM. 290-831-952	No. 6340 OEM. 290-930-580	No. 6345K	No. 6347 OEM. 420-831-990	No. 6348 OEM. 420-831-355
Flywheel Oil Seal	Oil Seal PTO	Rotary Valve Oil Seal	Oil Seal Kit	Center Crank Oil Seal	Center Crank Oil Seal

No. 6600K	No. 6610K	No. 6615K
720 Top Kit	720 Complete Kit	720 Complete Kit W/ Seals

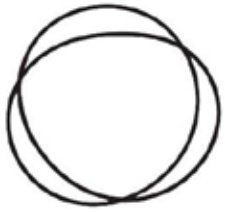

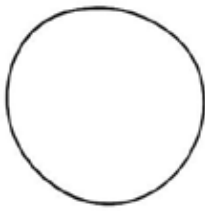
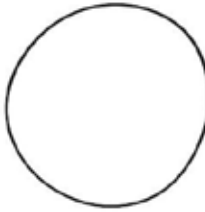



Cometic Gasket - An Exclusive NASCAR Performance Product

Seadoo 785 / 800 XP/GSX/GTX/ SPX

DESCRIPTION	OEM PART #	OURPART#
HEAD COVER O-RING *	290-831-550	6612
SPARK PLUG O-RING (2 REQ'D) *	290-430-782	6220
CYLINDER O-RING (2 REQ'D) *	290-931-410	6185
WATER JACKET O-RING (2 REQ'D) *	290-931-420	6614
BASE (4 HOLE 0.16)	290-931-460	6035.016
BASE (5 HOLE 0.20) *	290-931-460	6035.020
BASE (6 HOLE 0.24)	290-931-460	6035.024
BASE (8 HOLE 0.30)	290-931-460	6035.030
CARB 41MM (2 REQ'D) *	293-250-042	6107
POWER VALVE GASKET (2 REQ'D)	290-931-540	6618
POWER VALVE O-RING (2 REQ'D)	290-430-110	6622
EXHAUST *	290-931-480	6082
HEADPIPE *	290-931-500	6155
BALANCE SHAFT O-RING	290-230-300	6624
MANIFOLD O-RING	290-831-765	6628
ROTARY VALVE SHAFT O-RING	293-300-024	6260
STARTER O-RING	278-000-694	6152
FLYWHEEL HOUSING GASKET	290-931-470	6045
FLYWHEEL COVER O-RING	290-950-360	6632
OIL PUMP O-RING	293-300-018	6255
SEALS		
PTO O-RING	290-430-782	6220
PTO SEAL	290-830-638	6325
CRANK SEAL FLYWHEEL	290-830-749	6320
ROTARY VALVE SHAFT SEAL	290-930-580	6340
BALANCE SHAFT SEAL	290-930-390	6626
CENTER CRANK SEAL		6328
CRANK SEAL KIT		6350K
KITS		
785/800 TOP KIT	ALL	6620K
785/800 COMPLETE KIT	ALL	6640K
785/800 COMPLETE KIT WITH SEALS	ALL	6645K

* DENOTES ITEM IS INCLUDED IN TOP KIT

No. 6612 OEM. 290-831-550	No. 6220 OEM. 290-430-782	No. 6185 OEM. 290-931-410	No. 6614 OEM. 290-931-420	No. 6035.4-6035.8 OEM. 290-931-460
				
Head Cover O-Ring	Spark Plug O-Ring (2 Required)	Cylinder O-Ring (2 Required)	Water Jacket O-Ring (2 Required)	Base Gasket (4-8 Hole)



Cometic Gasket - An Exclusive NASCAR Performance Product

Seadoo 785 / 800 XP/GSX/GTX/SPX

No. 6107 OEM. 293-250-042	No. 6618 OEM. 290-931-540	No. 6622 OEM. 290-430-110	No. 6082 OEM. 290-931-480	No. 6155 OEM. 290-931-500
Carb 41MM (2 Required)	Power Valve Gasket (2 Required)	Power Valve O-Ring (2 Required)	Exhaust	Headpipe

No. 6624 OEM. 290-230-300	No. 6628 OEM. 290-831-765	No. 6260 OEM. 293-300-024	No. 6152 OEM. 278-000-694
Balance Shaft O-Ring	Manifold O-Ring	Rotary Valve Shaft O-Ring	Starter O-Ring

No. 6045 OEM. 290-931-470	No. 6632 OEM. 290-950-360	No. 6255 OEM. 293-300-018	No. 6220 OEM. 290-430-782
Flywheel Housing Gasket	Flywheel Cover O-Ring	Oil Pump O-Ring	PTO O-Ring

No. 6325 OEM. 290-830-638	No. 6320 OEM. 290-830-749	No. 6340 OEM. 290-930-580	No. 6626 OEM. 290-930-390	No. 6328	No. 6350K
PTO Seal	Crank Seal Flywheel	Rotary Valve Shaft Seal	Balance Shaft Seal	Center Crank Seal	Crank Seal Kit

No. 6620K	No. 6640K	No. 6645K
785 / 800 Top Kit	785 / 800 Complete Kit	785 / 800 Comp. Kit W/ Seals



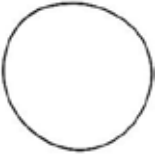
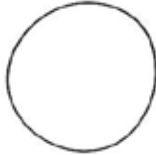


Cometic Gasket - An Exclusive NASCAR Performance Product

Seadoo 800 RFI

DESCRIPTION	OEM PART #	OURPART#
HEAD COVER O-RING *	420-831-550	6612
SPARK PLUG O-RING (2 REQ'D) *	420-430-782	6220
CYLINDER O-RING (2 REQ'D) *	420-931-410	6185
WATER JACKET O-RING (2 REQ'D) *	420-931-420	6614
BASE (4 HOLE 0.16) *	420-931-728	6035.016
BASE (6 HOLE 0.24) *	420-931-728	6035.024
POWER VALVE O-RING (2 REQ'D)	290-931-765	6622
POWER VALVE HOUSING O-RING (2 REQ'D)	290-931-670	6750
EXHAUST *	290-931-481	6082
HEADPIPE *	420-931-503	6155
BALANCE SHAFT O-RING	290-230-300	6624
MANIFOLD O-RING	290-831-767	6628
ROTARY VALVE SHAFT O-RING	293-300-024	6260
STARTER O-RING	278-000-694	6152
FLYWHEEL HOUSING GASKET	290-931-470	6045
FLYWHEEL COVER O-RING	290-950-360	6632
OIL PUMP O-RING	293-300-018	6255
CASE PLUG O-RING	290-250-890	6650
RECTIFIER COVER O-RING	420-850-390	6784
BEARING COVER O-RING	420-230-300	6624
SUMP COVER O-RING	420-950-360	6205
SEALS		
PTO O-RING	420-430-782	6220
PTO SEAL	290-830-638	6325
CRANK SEAL FLYWHEEL	290-830-749	6320
ROTARY VALVE SHAFT SEAL	290-930-580	6340
BALANCE SHAFT SEAL	290-930-390	6626
CENTER CRANK SEAL		6328
CRANK SEAL KIT		6350K
KITS		
800 DI TOP KIT	ALL	6855K
800 DI COMPLETE KIT	ALL	6860K
800 DI COMPLETE KIT WITH SEALS	ALL	6864K

* DENOTES ITEM IS INCLUDED IN TOP KIT

No. 6612 OEM. 420-831-550	No. 6220 OEM. 420-430-782	No. 6185 OEM. 420-931-410	No. 6614 OEM. 420-931-420
			
Head Cover O-Ring	Spark Plug O-Ring (2 Required)	Cylinder O-Ring (2 Required)	Water Jacket O-Ring (2 Required)



Cometic Gasket - An Exclusive NASCAR Performance Product

Seadoo 800 RFI

No. 6035.3-6035.6 OEM. 420-931-728	No. 6622 OEM. 290-931-765	No. 6750 OEM. 290-931-670	No. 6082 OEM. 290-931-480
Base (3-6 Hole)	Power Valve O-Ring (2 Required)	Power Valve Housing O-Ring (2 Required)	Exhaust

No. 6155 OEM. 420-931-503	No. 6624 OEM. 290-230-300	No. 6628 OEM. 290-831-767	No. 6260 OEM. 293-300-024
Headpipe	Balance Shaft O-Ring	Manifold O-Ring	Rotary Valve Shaft O-Ring

No. 6152 OEM. 278-000-694	No. 6045 OEM. 290-931-470	No. 6632 OEM. 290-950-360	No. 6255 OEM. 293-300-018
Starter O-Ring	Flywheel Housing Gasket	Flywheel Cover O-Ring	Oil Pump O-Ring

No. 6650 OEM. 290-250-890	No. 6784 OEM. 420-850-390	No. 6624 OEM. 420-230-300
Case Plug O-Ring	Rectifier Cover O-Ring	Bearing Cover O-Ring




No. 6205 OEM. 420-950-360	No. 6220 OEM. 420-430-782	No. 6325 OEM. 290-830-638	No. 6320 OEM. 290-830-749
Sump Cover O-Ring	PTO O-Ring	PTO Seal	Crank Seal Flywheel



Cometic Gasket - An Exclusive NASCAR Performance Product

Seadoo 800 RFI

No. 6340 OEM. 290-930-580	No. 6626 OEM. 290-930-390	No. 6350K	No. 6328
			
Rotary Valve Shaft Seal	Balance Shaft Seal	Crank Seal Kit	Center Crank Seal

No. 6855K	No. 6860K	No. 6864K
		
800 DI Top Kit	800 DI Complete Kit	800 DI Complete Kit W/ Seals

Seadoo 951 1997 Only White Motor

DESCRIPTION	OEM PART #	OURPART#
HEAD *	290-931-700	6700
HEAD 91.25 MM BORE	NOE **	6700BB
BASE (4 HOLE 0.16) *	290-931-681	6730.016
BASE (6 HOLE 0.24) *	290-931-682	6730.024
CARB 50MM (2 REQ'D) *	270-500-384	6740
POWER VALVE O-RING (2 REQ'D) *	290-430-110	6622
POWER VALVE HOUSING O-RING (2 REQ'D)	290-931-670	6750
EXHAUST (2 REQ'D) *	293-250-081	6760
HEADPIPE *	290-931-487	6770
STUD O-RING (8 REQ'D)	290-850-460	6780
BALANCE SHAFT O-RING	290-230-300	6624
STARTER O-RING	278-001-159	6790
FLYWHEEL COVER O-RING	290-931-690	6795
OIL PUMP O-RING	293-300-018	6255
SEALS		
OIL SEAL (2 REQ'D)	290-931-730	6810
OIL SEAL KIT		6815K
CENTER OIL SEAL		6812
CENTER OIL SEAL (LARGE INSIDE DIAMETER)		6814
KITS		
951 TOP KIT	ALL	6825K
951 COMPLETE KIT	ALL	6830K
951 COMPLETE KIT WITH SEALS	ALL	6835K

* DENOTES ITEM IS INCLUDED IN TOP KIT

** NOT ORIGINAL EQUIPMENT

No. 6700 OEM. 290-931-700	No. 6700BB NOE	No. 6730.3-6 OEM. 290-931-68X (0,1,2)	No. 6740 OEM. 270-500-384	No. 6622 OEM. 290-430-110
Head Gasket	Big Bore Head Gasket	Base Gasket (3, 4, 6 Hole)	Carb 50MM (2 Required)	Power Valve O-Ring (2 Required)

No. 6750 OEM. 290-931-670	No. 6760 OEM. 293-250-081	No. 6770 OEM. 290-931-487	No. 6780 OEM. 290-850-460
Power Valve Housing O-Ring (2 Required)	Exhaust (2 Required)	Headpipe	Stud O-Ring (8 Required)

Seadoo 951 1997 Only White Motor

No. 6624 OEM. 290-230-300	No. 6790 OEM. 278-001-159	No. 6795 OEM. 290-931-690	No. 6255 OEM. 293-300-018
Balance Shaft O-Ring	Starter O-Ring	Flywheel Cover O-Ring	Oil Pump O-Ring

No. 6810 OEM. 290-931-730	No. 6815K	No. 6812	No. 6814
Oil Seal (2 Required)	Oil Seal Kit	Center Oil Seal	Center Oil Seal (Large Inside Diameter)

No. 6825K	No. 6830K	No. 6835K
951 Top Kit	951 Complete Kit	951 Complete Kit W/ Seals

Seadoo 951 1998+ Silver Motor

DESCRIPTION	OEM PART #	OURPART#
HEAD *	290-931-702	6700
HEAD 91.25 MM BORE	NOE **	6700BB
BASE (5 HOLE 0.20) *	290-931-685.5	6732.020
BASE (6 HOLE 0.24) *	290-931-686.6	6732.024
BASE (8 HOLE 0.32) *	290-931-686.8	6732.032
CARB 50MM (2 REQ'D) *	293-250-076	6740
REED (NOT REQ'D WITH STOCK REEDS)	NOE **	6745
AFTERMARKET REED (S/A 6747)	NOE **	6755
POWER VALVE O-RING (2 REQ'D) *	290-931-765	6622
POWER VALVE HOUSING O-RING (2 REQ'D) *	290-931-670	6750
EXHAUST (2 REQ'D) *	293-250-081	6760
HEADPIPE *	290-250-080	6775
STUD O-RING (8 REQ'D)	290-850-460	6780
BALANCE SHAFT O-RING	290-230-300	6624
STARTER O-RING	278-001-159	6790
FLYWHEEL COVER O-RING	290-931-690	6795
OIL PUMP O-RING	293-300-018	6255
SEALS		
OIL SEAL (2 REQ'D) (S/A 4125)	290-931-731	6810
OIL SEAL KIT		6815K
CENTER OIL SEAL		6812
CENTER OIL SEAL (LARGE INSIDE DIAMETER)		6814
KITS		
951 TOP KIT	ALL	6840K
951 COMPLETE KIT	ALL	6842K
951 COMPLETE KIT WITH SEALS	ALL	6844K

* DENOTES ITEM IS INCLUDED IN TOP KIT

** NOT ORIGINAL EQUIPMENT

No. 6700 OEM. 290-931-700	No. 6700BB NOE	No. 6732.5-.8	No. 6740 OEM. 270-500-384	No. 6745
Head Gasket	Big Bore Head Gasket	Base Gasket (5, 6, 8 Hole)	Carb 50MM (2 Required)	Reed (Not Required W/ Stock Reeds)

No. 6755	No. 6622 OEM. 290-430-110	No. 6750 OEM. 290-931-670	No. 6760 OEM. 293-250-081	No. 6775 OEM. 290-280-080
Aftermarket Reed	Power Valve O-Ring (2 Required)	Power Valve Housing O-Ring (2 Required)	Exhaust (2 Required)	Headpipe

Seadoo 951 1998+ Silver Motor

No. 6780 OEM. 290-850-460	No. 6624 OEM. 290-230-300	No. 6790 OEM. 278-001-159	No. 6795 OEM. 290-931-690	No. 6255 OEM. 293-300-018
Stud O-Ring (8 Required)	Balance Shaft O-Ring	Starter O-Ring	Flywheel Cover O-Ring	Oil Pump O-Ring

No. 6810 OEM. 290-931-730	No. 6815K	No. 6812	No. 6814
Oil Seal (2 Required)	Oil Seal Kit	Center Oil Seal	Center Oil Seal (Large Inside Diameter)

No. 6840K	No. 6842K	No. 6844K
951 Top Kit	951 Complete Kit	951 Complete Kit W/ Seals





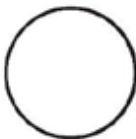


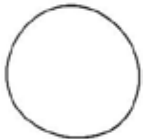


Cometic Gasket - An Exclusive NASCAR Performance Product

Seadoo 951 DI

DESCRIPTION	OEM PART #	OURPART#
HEAD *	420-931-706	6705
HEAD GASKET BIG BORE 91.25MM	NOE	6700BB
BASE (3 HOLE .012) *	420-931-905	6734.012
BASE (4 HOLE .016) *	420-931-905.4	6734.016
BASE (6 HOLE .024) *	420-931-905.6	6734.024
REED (NOT REQ'D WITH STOCK REEDS)		6745
POWER VALVE O-RING (2 REQ'D) *	290-850-460	6622
POWER VALVE HOUSING O-RING (2 REQ'D)	290-931-670	6750
EXHAUST (2 REQ'D) *	293-250-081	6760
HEADPIPE *	420-931-990	6870
BALANCE SHAFT O-RING	290-230-300	6624
STARTER O-RING	278-001-159	6790
FLYWHEEL COVER O-RING	290-931-690	6795
OIL PUMP O-RING	293-300-018	6255
RECTIFIER COVER O-RING	420-850-390	6784
COMPRESSOR	420-230-300	6624
COMPRESSOR GASKET	420-931-870	6850
O-Ring	293-300-054	6862
O-Ring	293-300-076	6865
O-Ring	293-300-070	6868
SEALS		
OIL SEAL (2 REQ'D)	290-931-731	6810
OIL SEAL KIT		6815K
CENTER OIL SEAL		6812
CENTER OIL SEAL (LARGE INSIDE DIAMETER)		6814
KITS		
951 DI TOP KIT	ALL	6875K
951 DI COMPLETE KIT	2000+	6880K
951 DI COMPLETE KIT WITH SEALS	2000+	6885K

* DENOTES ITEM IS INCLUDED IN TOP KIT

No. 6705 OEM. 290-931-705	No. 6734.3-6734.6 OEM. 293-290-905	No. 6745	No. 6622 OEM. 290-850-460
			
Head	Base (3, 4, 6 Hole)	Reed (Not Required with Stock Reeds)	Power Valve O-Ring (2 Required)
No. 6750 OEM. 290-931-670	No. 6760 OEM. 293-250-081	No. 6870 OEM. 420-931-990	No. 6624 OEM. 290-230-300
			
Power Valve Housing O-Ring (2 Required)	Exhaust	Headpipe	Balance Shaft O-Ring

Seadoo 951 DI

No. 6790 OEM. 278-001-159	No. 6795 OEM. 290-931-690	No. 6255 OEM. 293-300-018	No. 6784 OEM. 420-850-390
Starter O-Ring	Flywheel Cover O-Ring	Oil Pump O-Ring	Rectifier Cover O-Ring

No. 6624 OEM. 420-230-300	No. 6850 OEM. 420-931-870	No. 6862 OEM. 293-300-054	No. 6865 OEM. 293-300-076	No. 6868 OEM. 293-300-070
Compressor	Compressor Gasket	O-Ring	O-Ring	O-Ring

No. 6810 OEM. 290-931-730	No. 6815K	No. 6812	No. 6814
Oil Seal (2 Required)	Oil Seal Kit	Center Oil Seal	Center Oil Seal (Large Inside Diameter)






No. 6875K	No. 6880K	No. 6885K
951DI Top Kit	951DI Complete Kit	951DI Complete Kit W/ Seals



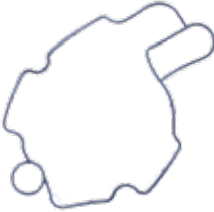




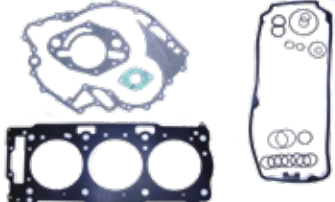

Cometic Gasket - An Exclusive NASCAR Performance Product

Seadoo 4-Tec

DESCRIPTION	OEM PART #	OURPART#
HEAD	420950770	6900
VALVE COVER	420950820	6905
OIL PUMP HOUSING	420950970	6910
OIL SEPERATOR COVER	420630540	6915
TIMING DRIVE COVER	420931130	6920
SEALS		
OIL SEAL	420650310	6956
OIL PUMP O-RING		6959
INTAKE O-RING - 3 REQUIRED		6960
INTAKE O-RING KIT		6961K
KITS		
ALUMINUM WASHER KIT		6943K
4-TEC TOP KIT		6980K
4-TEC COMPLETE KIT WITH SEALS		6990K





No. 6900 OEM. 420950770	No. 6905 OEM. 420950820	No. 6910 OEM. 420950970	No. 6915 OEM. 420630540	No. 6920 OEM. 420931130
				
HEAD GASKET	VALVE COVER	OIL PUMP HOUSING	OIL SEPERATOR COVER	TIMING DRIVE COVER



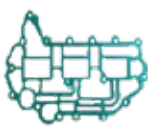

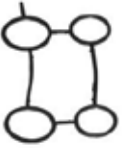
No. 6943K	No. 6956 OEM. 420650310	No. 6959 OEM. 420631480	No. 6960 OEM. 420950740
			
ALUMINUM WASHERS	OIL SEAL	OIL PUMP O-RING	INTAKE O-RING




No. 6961K	No. 6980K	No. 6990K
		
INTAKE O-RING KIT	4-TEC TOP KIT	4-TEC COMPLETE KIT WITH SEALS

SEADOO SPARK

DESCRIPTION	OEM PART #	OUR PART#
Oil Sump Gasket	420450080	0080
Stator Gasket	420416403	1640
Air Intake Gasket, Req 3	420431662	1662
Water Pump Housing Gasket	420431680	1680
Valve Cover Gasket, Req 3	420431751	1751
Camshaft Housing Gasket, Req 3	420431760	1760
Head Gasket	420431812	1812
PTO Cover Gasket	420431820	1820
Oil Tank Gasket	420431840	1840
Oil Radiator Gasket	420431870	1870
Valve Cover Gasket	420431801	1801
Seadoo Spark Gasket Kit		4205K
Wear Ring Stainless (Not included in kit)	267000617	0617

Part No. 0080 OEM No. 420450080	Part No. 1640 OEM No. 420416403	Part No. 1662 OEM No. 420431662	Part No. 1680 OEM No. 420431680	Part No. 1751 OEM No. 420431751
				
Oil Sump Gasket	Stator Gasket	Air Intake Gasket Req. 3	Water Pump Housing Gasket	Valve Cover Gasket Req. 3

Part No. 1760 OEM No.420431760	Part No. 1812 OEM No. 420431812	Part No. 1820 OEM No. 420431820	Part No. 1840 OEM No. 420431840	Part No. 1870 OEM No. 420431870
				
Camshaft Housing Req. 3	Head Gasket	PTO Cover Gasket	Oil Tank Gasket	Oil Radiator Gasket






Part 1801 OEM 420431801	Part No. 4205K	Part No. 0617 OEM No.267000617
		
Valve Cover Gasket	Gasket Kit	Wear Ring, Stainless (Not Included in Kit)








Cometic Gasket - An Exclusive NASCAR Performance Product

Yamaha 500

DESCRIPTION	OEM PART #	OURPART#	DISTRIB.	DEALER
HEAD	6K8-11181	2000		
CARB	6K8-13556	2010		
THERMOSTAT COVER	655-12414	2020		
REED	6K8-13621	2030		
OIL SEAL HOUSING	6K8-15369	2040		
FLYWHEEL COVER	6K8-81365	2050		
FLAME ARRESTOR	6K8-13674	2060		
EXHAUST COVER #1	6K8-41124	2070		
EXHAUST COVER #2	6K8-41122	2080		
EXHAUST COVER (INNER)	6K8-41112	2090		
EXHAUST COVER (OUTER)	6K8-41114	2100		
MUFFLER DAMPER #1	6K8-14739	2110		
MUFFLER DAMPER #2	6K8-14749	2120		
SILENCER	6K8-14755	2130		
UPPER CASE	6K8-45113	2140		
SEALS				
FLYWHEEL OIL SEAL	93101-25M50	2142		
COUPLER OIL SEAL	93101-25M38	2144		
PTO OIL SEAL	93101-25M35	2146		
SEAL KIT	ALL	2148K		
KITS				
500 COMPLETE KIT	ALL	2150K		
500 COMPLETE KIT WITH SEALS	ALL	2155K		

No. 2000 OEM. 6K8-11181	No. 2010 OEM. 6K8-13556	No. 2020 OEM. 655-12414	No. 2030 OEM. 6K8-13621	No. 2040 OEM. 6K8-15369
				
Head Gasket	Carb Gasket	Thermostat Cover	Reed	Oil Seal Housing

No. 2050 OEM. 6K8-81365	No. 2060 OEM. 6K8-13674	No. 2070 OEM. 6K8-41124	No. 2080 OEM. 6K8-41122	No. 2090 OEM. 6K8-41112
				
Flywheel Cover	Flame Arrestor	Exhaust Cover #1	Exhaust Cover #2	Exhaust Cover (Inner)



Cometic Gasket - An Exclusive NASCAR Performance Product

Yamaha 500

No. 2100 OEM. 6K8-41114	No. 2110 OEM. 6K8-14739	No. 2120 OEM. 6K8-14749	No. 2130 OEM. 6K8-14755	No. 2140 OEM. 6K8-45113
Exhaust Cover (Outer)	Muffler Damper #1	Muffler Damper #2	Silencer	Upper Case

No. 2142 OEM. 93101-25M50	No. 2144 OEM. 93101-25M38	No. 2146 OEM. 93101-25M35	No. 2148K
Flywheel Oil Seal	Coupler Oil Seal	PTO Oil Seal	Seal Kit (All)

No. 2150K	No. 2155K
500 Complete Kit	500 Complete Kit W/ Seals

Yamaha 650 Superjet / Wave Runner III

1990-93

DESCRIPTION	OEM PART #	OURPART#	DISTRIB.	DEALER
HEAD 77MM .047 *	6R7-11181	2205		
BASE *	6M6-11351	2220		
CARB (2 REQ'D) *	6M6-13556	2230		
TOP MANIFOLD *	6M6-13563	2240		
LOWER MANIFOLD *	6M6-13566	2260		
REED (2 REQ'D) *	6M6-13621	2280		
EXHAUST *	6M6-14613	2310		
OIL PUMP	6R8-13116	2340		
AIR CLEANER (2 REQ'D)	6M6-13674	2350		
FLYWHEEL COVER	6M6-81365	2360		
HEAD PIPE	6R7-14755	2370		
OUTER COVER	6R7-41114	2380		
DAMPER	6R7-14749	2390		
EXHAUST PIPE (2 REQ'D)	6M6-14739	2400		
HEAD COVER	6M6-11193	2410		
IGNITION BOX COVER	6M6-81921	2116A		
SEALS				
FLYWHEEL	93103-32M01	2500		
PTO #1	93102-36M33	2511		
PTO #2	93101-36M46	2520		
SEAL KIT	ALL	2525K		
KITS				
650 TOP KIT	ALL	2600K		
650 COMPLETE KIT	ALL	2650K		
650 COMPLETE KIT WITH SEALS	ALL	2655K		

* DENOTES ITEM IS INCLUDED IN TOP KIT

No. 2205 OEM. 6R7-11181	No. 2220 OEM. 6M6-11351	No. 2230 OEM. 6M6-13556	No. 2240 OEM. 6M6-13563	No. 2260 OEM. 6M6-13566
Head 77MM .050	Base	Carb (2 Required)	Top Manifold	Lower Manifold

No. 2280 OEM. 6M6-13621	No. 2310 OEM. 6M6-14613	No. 2340 OEM. 6M6-13116	No. 2350 OEM. 6M6-13674	No. 2360 OEM. 6M6-81365
Reed (2 Required)	Exhaust	Oil Pump	Air Cleaner (2 Required)	Flywheel Cover

Yamaha 650 Superjet / Wave Runner III

1990-93

No. 2370 OEM. 6R7-14755	No. 2380 OEM. 6R7-41114	No. 2390 OEM. 6R7-14749	No. 2400 OEM. 6M6-14739	No. 2410 OEM. 6M6-11193
Head Pipe	Outer Cover	Damper	Exhaust Pipe (2 Required)	Head Cover

No. 2116A OEM. 6M6-81921	No. 2500 OEM. 93103-32M01	No. 2511 OEM. 93103-36M33	No. 2520 OEM. 93101-36M46	No. 2525K
Ignition Box Cover	Flywheel Oil Seal	PTO Oil Seal #1	PTO Oil Seal #2	Seal Kit (All)

No. 2600K	No. 2650K	No. 2655K
650 Top Kit	650 Complete Kit	650 Complete Kit W/ Seals



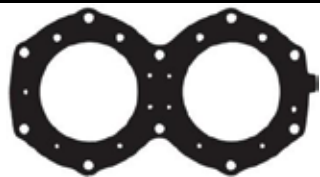



Cometic Gasket - An Exclusive NASCAR Performance Product

Yamaha 701 Superjet / Wave Runner III 1994-95 Wave Blaster 1993-95 / Wave Raider 96

DESCRIPTION	OEM PART #	OURPART#	DISTRIB.	DEALER
HEAD 82MM .047 *	61X-11181A	2215		
HEAD 82 MM .060	NOE **	2216		
BASE *	6M6-11351	2220		
CARB (2 REQ'D) *	6M6-13556	2230		
TOP MANIFOLD *	61X-13563	2250		
LOWER MANIFOLD *	61X-13566	2270		
REED (2 REQ'D) *	61X-13621	2290		
EXHAUST *	61X-14613	2330		
OIL PUMP	6R8-13116	2340		
AIR CLEANER (2 REQ'D)	6M6-13674	2350		
FLYWHEEL COVER	6M6-81365	2360		
HEAD PIPE	6R7-14755	2370		
OUTER COVER	6R7-41114	2380		
DAMPER	6R7-14749	2390		
EXHAUST PIPE	6M6-14739	2400		
HEAD COVER	6M6-11193	2410		
IGNITION BOX COVER	6M6-81921	2116A		
SEALS				
FLYWHEEL	93103-32M01	2500		
PTO #1	93102-36M33	2511		
PTO #2	93101-36M46	2520		
SEAL KIT	ALL	2525K		
KITS				
701 TOP KIT *	*	2700K		
701 COMPLETE KIT	ALL	2750K		
701 COMPLETE KIT WITH SEALS	ALL	2755K		

* DENOTES ITEM IS INCLUDED IN TOP KIT

** NOT ORIGINAL EQUIPMENT

No. 2215 OEM. 61X-11181A	No. 2216 NOE	No. 2220 OEM. 6M6-11351	No. 2230 OEM. 6M6-13556
			
Head Gasket 82MM .050	Head Gasket 82MM .060	Base Gasket	Carb (2 Required)



WARNING: Cancer and Reproductive Harm www.P65Warnings.ca.gov

Yamaha 701 Superjet / Wave Runner III 1994-95 Wave Blaster 1993-95 / Wave Raider 96

No. 2380 OEM. 6R7-41114	No. 2390 OEM. 6R7-14749	No. 2400 OEM. 6M6-14739	No. 2410 OEM. 6M6-11193	No. 2116A OEM. 6M6-81921
Outer Cover	Damper	Exhaust Pipe	Head Cover	Ignition Box Cover

No. 2500 OEM. 93103-32M01	No. 2511 OEM. 93103-36M33	No. 2520 OEM. 93101-36M46	No. 2525K
Flywheel Oil Seal	PTO Oil Seal #1	PTO Oil Seal #2	Seal Kit (All)

No. 2700K	No. 2750K	No. 2755K
701 Top Kit	701 Complete Kit	701 Complete Kit W/ Seals



Cometic Gasket - An Exclusive NASCAR Performance Product

Yamaha 701 Twin Carb Superjet 1996-99 / Blaster 1996

DESCRIPTION	OEM PART#	OURPART#	DISTRIB.	DEALER
HEAD 82MM *	62T-11181	2215		
BASE *	6M6-11351	2220		
REED (2 REQ'D) *	62T-13566	2830		
CARB MANIFOLD *	62T-13556	2820		
CARB BASE (2 REQ'D)		5460		
EXHAUST *	61X-14613	2330		
OIL PUMP	6R8-13116	2340		
ARRESTER (2 REQ'D)	62T-13674	2825		
FLYWHEEL COVER	6M6-81365	2360		
HEAD PIPE	6R7-14755	2370		
OUTER COVER	6R7-41114	2380		
DAMPER	6R7-14749	2390		
EXHAUST PIPE	6M6-14739	2400		
IGNITION BOX COVER	6M6-81921	2116A		
SEALS				
FLYWHEEL	93103-32M01	2500		
PTO #1	93102-36M33	2511		
PTO #2	93101-36M46	2520		
SEAL KIT	ALL	2525K		
KITS				
701 TOP KIT *	*	2550K		
701 COMPLETE	ALL	2555K		
701 COMPLETE WITH SEALS	ALL	2560K		

* DENOTES ITEM IS INCLUDED IN TOP KIT




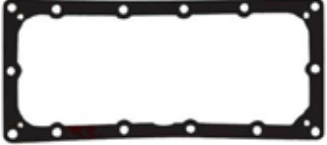







No. 2215 OEM. 62T-11181	No. 2220 OEM. 6M6-11351	No. 2830 OEM. 62T-13566	No. 2820 OEM. 62T-13556	No. 5460
Head Gasket 82MM	Base Gasket	Reed (2 Required)	Carb Manifold	Carb Base (2 Required)

No. 2330 OEM. 61X-14613	No. 2340 OEM. 6R8-13116	No. 2825 OEM. 62T-13674	No. 2360 OEM. 6M6-81365	No. 2370 OEM. 6R7-14755
Exhaust	Oil Pump	Arrestor (2 Required)	Flywheel Cover	Head Pipe



WARNING: Cancer and Reproductive Harm www.P65Warnings.ca.gov

Yamaha 701 Twin Carb Superjet 1996-99 / Blaster 1996

<p>No. 2380 OEM. 6R7-41114</p>	<p>No. 2390 OEM. 6R7-14749</p>	<p>No. 2400 OEM. 6M6-14739</p>	<p>No. 2116A OEM. 6M6-81921</p>		
					
<p>Outter Cover</p>	<p>Damper</p>	<p>Exhaust Pipe</p>	<p>Ignition Cover Box</p>		
<p>No. 2500 OEM. 93103-32M01</p>	<p>No. 2511 OEM. 93103-36M33</p>	<p>No. 2520 OEM. 93101-36M46</p>	<p>No. 2525K</p>		
					
<p>Flywheel Oil Seal</p>	<p>PTO Oil Seal #1</p>	<p>PTO Oil Seal #2</p>	<p>Seal Kit (All)</p>		
<p>No. 2550K</p>		<p>No. 2555K</p>		<p>No. 2560K</p>	
					
<p>701 Top Kit</p>		<p>701 Complete Kit</p>		<p>701 Complete Kit W/ Seals</p>	

Yamaha 701 Wave Raider 1994-95

Wave Venture 1995+

Wave Runner III 700W 1998

DESCRIPTION	OEM PART #	OURPART#	DISTRIB.	DEALER
HEAD *	62T-11181	2810		
BASE *	6M6-11351	2220		
CARB BASE (2 REQ'D) *	62T-14398	5030		
CARB MANIFOLD *	62T-13556	2820		
AIR COVER	62T-13674	2825		
FLYWHEEL COVER	6M6-81365	2360		
REED (2 REQ'D) *	62T-13566	2830		
EXHAUST GREEN *	62T-14613	2850		
MUFFLER DAMPER #1	62T-14739	2860		
HEAD PIPE	62T-14749	2870		
EXHAUST OUTER COVER #1	62T-41114	2880		
EXHAUST INNER COVER	62T-41122	2890		
EXHAUST OUTER COVER #2	62T-41124	2900		
OIL PUMP	6R8-13116	2340		
IGNITION BOX COVER	6M6-81921	2116A		
SEALS				
FLYWHEEL	93103-32M01	2500		
PTO #1	93102-36M33	2511		
PTO #2	93101-36M46	2520		
SEAL KIT	ALL	2525K		
KITS				
701 TOP KIT	ALL	2950K		
701 COMPLETE KIT	ALL	2980K		
701 COMPLETE KIT WITH SEALS	ALL	2985K		

* DENOTES ITEM IS INCLUDED IN TOP KIT

No. 2810 OEM. 62T-11181	No. 2220 OEM. 6M6-11351	No. 5030 OEM. 62T-14398	No. 2820 OEM. 62T-13556	No. 2825 OEM. 62T-13674
Head Ultimate	Base Gasket	Carb Base (2 Required)	Carb Manifold	Air Cover

No. 2360 OEM. 6M6-81365	No. 2830 OEM. 62T-13566	No. 2850 OEM. 62T-14613	No. 2860 OEM. 62T-14739	No. 2870 OEM. 62T-14749
Flywheel Cover	Reed (2 Required)	Exhaust Green	Muffler Damper #1	Head Pipe

Yamaha 701 Wave Raider 1994-95

Wave Venture 1995+

Wave Runner III 700W 1998

No. 2880 OEM. 62T-41114	No. 2890 OEM. 62T-41122	No. 2900 OEM. 62T-41124	No. 2340 OEM. 6R8-13116	No. 2116A OEM. 6M6-81921
Exhaust Outer Cover #1	Exhaust Inner Cover	Exhaust Outer Cover #2	Oil Pump	Ignition Box Cover

No. 2500 OEM. 93103-32M01	No. 2511 OEM. 93103-36M33	No. 2520 OEM. 93101-36M46	No. 2525K
Flywheel Oil Seal	PTO Oil Seal #1	PTO Oil Seal #2	Seal Kit (All)

No. 2950K	No. 2980K	No. 2985K
701 Top Kit	701 Complete Kit	701 Complete Kit W/ Seals



Cometic Gasket - An Exclusive NASCAR Performance Product

Yamaha 760 Wave Raider 1996+ Blaster II 1996+ / XL 760

DESCRIPTION	OEM PART #	OURPART#	DISTRIB.	DEALER
HEAD .025 *	64X-11181	3200		
YAM 760 HEAD-86.25 BORE		3200BB		
YAM 760 HEAD-86.25 BORE	STAINLESS	3200BB		
HEAD 86MM ULTIMATE GREEN .047	ULTIMATE	3210		
BASE *	6M6-11351-A2	3205		
BASE GASKET CUT FOR LARGE SLEEVES		14-760		
CARB BASE (2 REQ'D) *	64X14398	5460		
CARB MANIFOLD *	64X-13556	3220		
ARRESTER (2 REQ'D) *	64X-13674	3230		
REED (2 REQ'D) *	62T-13566	2830		
EXHAUST *	62T-14613	2850		
FLYWHEEL COVER	6M6-81365	2360		
HEAD PIPE	64X-14749	2870		
EXHAUST OUTER COVER	62T-41114	2880		
EXHAUST INNER COVER	62T-41122	3240		
OUTER COVER EXHAUST	62T-41124	3250		
OIL PUMP	6R8-13116	2340		
IGNITION BOX COVER	6M6-81921	2116A		
SEALS				
FLYWHEEL	93103-32M01	2500		
PTO #1	93102-36M33	2511		
PTO #2	93101-36M46	2520		
SEAL KIT	ALL	2525K		
KITS				
760 TOP KIT	ALL	2990K		
760 COMPLETE KIT	ALL	2992K		
760 COMPLETE KIT WITH SEALS	ALL	2994K		

* DENOTES ITEM IS INCLUDED IN TOP KIT

No. 3200 OEM. 64X-11181	No. 3210 Ultimate	No. 3205 OEM. 6M6-11351-A2	No. 5460 OEM. 64X-14398	No. 3220 OEM. 64X-13556
Head Gasket .025	Head Gasket .047 86MM	Base	Carb Base (2 Required)	Carb Manifold

No. 3230 OEM. 64X-13674	No. 2830 OEM. 62T-13566	No. 2850 OEM. 62T-14613	No. 2360 OEM. 6M6-81365	No. 2870 OEM. 64X-14749
Arrestor (2 Required)	Reed (2 Required)	Exhaust	Flywheel Cover	Head Pipe



Cometic Gasket - An Exclusive NASCAR Performance Product

Yamaha 760 Wave Raider 1996+ Blaster II 1996+ / XL 760

No. 2880 OEM. 62T-41114	No. 3240 OEM. 62T-41122	No. 3250 OEM. 62T-41124	No. 2340 OEM. 6R8-13116	No. 2116A OEM. 6M6-81921
Exhaust Outer Cover #1	Exhaust Inner Cover	Exhaust Outer Cover #2	Oil Pump	Ignition Box Cover

No. 2500 OEM. 93103-32M01	No. 2511 OEM. 93103-36M33	No. 2520 OEM. 93101-36M46	No. 2525K
Flywheel Oil Seal	PTO Oil Seal #1	PTO Oil Seal #2	Seal Kit (All)

No. 2990K	No. 2992K	No. 2994K
760 Top Kit	760 Complete Kit	760 Complete Kit W/ Seals



Cometic Gasket - An Exclusive NASCAR Performance Product

Yamaha GP 800W 1998+

DESCRIPTION	OEM PART #	OURPART#	DISTRIB.	DEALER
HEAD .025 STAINLESS STEEL *	66E-11181	3400		
HEAD 82MM ULTIMATE GREEN .047	ULTIMATE	3410		
BASE (2 REQ'D) *	66E-11351	3420		
CARB BASE (2 REQ'D)	66E-14398	3425		
CARB MANIFOLD *	66E-13556	3430		
REED	NOE **	3435		
EXHAUST *	66E-14613	3450		
HEAD PIPE *	66E-14749	3460		
POWER VALVE (2 REQ'D)	66E-1131B	3470		
EXHAUST SECTION	66E-41124	3480		
TAIL CONE	66E-14623	3485		
STARTER O-RING	1FK-81847	3490		
OIL PUMP	63M-13116	2340		
SEALS				
FLYWHEEL	93103-35M03	3500		
PTO #1	93101-36M62	3505		
PTO #2	93101-36M61	3510		
SEAL KIT	ALL	3515K		
KITS				
800 TOP KIT	ALL	3520K		
800 COMPLETE KIT	ALL	3530K		
800 COMPLETE KIT WITH SEALS	ALL	3535K		

* DENOTES ITEM IS INCLUDED IN TOP KIT

** NOT ORIGINAL EQUIPMENT

No. 3400 OEM. 66E-11181	No. 3410 Ultimate	No. 3420 OEM. 66E-11351	No. 3425 OEM. 66E-14398	No. 3430 OEM. 66E-13556
Head Stainless Steel .025	Head 82MM Ultimate .047	Base (2 Required)	Carb Base (2 Required)	Carb Manifold

No. 3435 NOE	No. 3450 OEM. 66E-14613	No. 3460 OEM. 66E-14769	No. 3470 OEM. 66E-1131B	No. 3480 OEM. 66E-41124
Reed	Exhaust	Head Pipe	Power Valve (2 Required)	Exhaust Section



WARNING: Cancer and Reproductive Harm www.P65Warnings.ca.gov

Yamaha GP 800W 1998+

No. 3485 OEM. 66E-14623	No. 3490 OEM. 1FK-81847	No. 2340 OEM. 63M-13116
Tail Cone	Starter O-Ring	Oil Pump

No. 3500 OEM. 93103-35M03	No. 3505 OEM. 93103-36M62	No. 3510 OEM. 93101-36M61	No. 3515K
Flywheel Oil Seal	PTO Oil Seal #1	PTO Oil Seal #2	Seal Kit (All)

No. 3520K	No. 3530K	No. 3535K
800 Top Kit	800 Complete Kit	800 Complete Kit W/ Seals



Cometic Gasket - An Exclusive NASCAR Performance Product

Yamaha Wave Venture 1100

Wave Raider 1100

DESCRIPTION	OEM PART #	OURPART#	DISTRIB.	DEALER
HEAD 82MM ULTIMATE GREEN .047 *	63M-11181	4400		
BASE *	63M-11351	4415		
CARB BASE * (3 REQ'D)	63M-14398	5030		
CARB MANIFOLD *	63M-13556	4420		
REED (2 REQ'D) *	63M-13566	4430		
EXHAUST *	63M-14613	4450		
MUFFLER DAMPER #1	63M-14739	4455		
MUFFLER DAMPER #2/ HEAD PIPE *	63M-14749	4460		
EXHAUST OUTER COVER (2 REQ'D)	63M-41114	4470		
EXHAUST INNER COVER	63M-41122	4480		
HEAD COVER *	63M-11193	4500		
FLYWHEEL COVER	63M-81365	4505		
OIL PUMP	63M-13116	4510		
SEALS				
FLYWHEEL	93103-32M01	2500		
PTO #1	93102-36M33	2511		
PTO #2	93101-36M46	2520		
SEAL KIT	ALL	2525K		
KITS				
1100 TOP KIT	ALL	4520K		
1100 COMPLETE KIT	ALL	4530K		
1100 COMPLETE KIT WITH SEALS	ALL	4535K		

* DENOTES ITEM IS INCLUDED IN TOP KIT

No. 4400 OEM. 63M-11181	No. 4415 OEM. 63M-11351	No. 5030 OEM. 63M-14398	No. 4420 OEM. 63M-13556	No. 4430 OEM. 63M-13566
Head 82MM .047	Base	Carb Base (3 Required)	Carb Manifold	Reed (2 Required)

No. 4450 OEM. 63M-14613	No. 4455 OEM. 63M-14739	No. 4460 OEM. 63M-14749	No. 4470 OEM. 63M-41114	No. 4480 OEM. 63M-41122
Exhaust	Muffler Damper #1	Muffler Damper #2/Head Pipe	Exhaust Outer Cover (2 Required)	Exhaust Inner Cover






WARNING: Cancer and Reproductive Harm www.P65Warnings.ca.gov



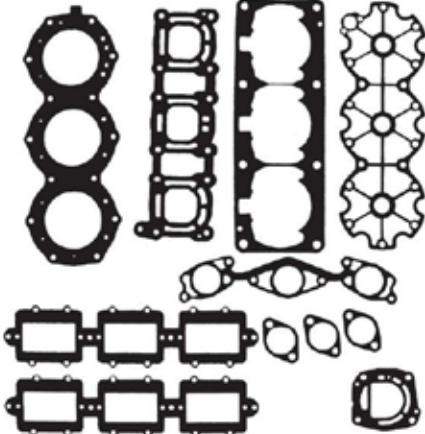
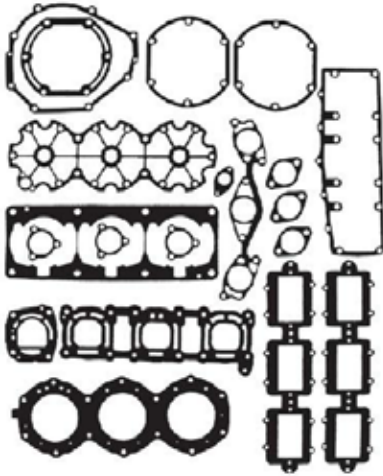
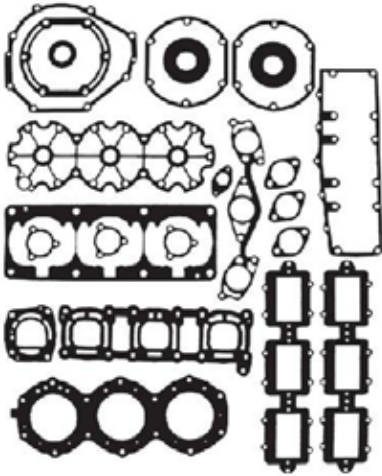
Cometic Gasket - An Exclusive NASCAR Performance Product

Yamaha Wave Venture 1100

Wave Raider 1100

<p>No. 4500 OEM. 63M-11193</p>	<p>No. 4505 OEM. 63M-81365</p>	<p>No. 4510 OEM. 63M-13116</p>
		
<p>Head Cover</p>	<p>Flywheel Cover</p>	<p>Oil Pump</p>

<p>No. 2500 OEM. 93103-32M01</p>	<p>No. 2511 OEM. 93103-36M33</p>	<p>No. 2520 OEM. 93101-36M46</p>	<p>No. 2525K</p>
			
<p>Flywheel Oil Seal</p>	<p>PTO Oil Seal #1</p>	<p>PTO Oil Seal #2</p>	<p>Seal Kit (All)</p>

<p>No. 4520K</p>	<p>No. 4530K</p>	<p>No. 4535K</p>
		
<p>1100 Top Kit</p>	<p>1100 Complete kit</p>	<p>1100 Complete Kit W/ Seals</p>



Cometic Gasket - An Exclusive NASCAR Performance Product

Yamaha 1200

DESCRIPTION	OEM PART #	OURPART#	DISTRIB.	DEALER
HEAD 86MM STAINLESS STEEL .025 *	65U-11181	4600		
HEAD 86MM ULTIMATE GREEN .047	ULTIMATE	4610		
BASE *	63M-11351	4615		
CARB BASE * (3 REQ'D)	63M-13556	5460		
CARB MANIFOLD *	64X-14162	4620		
SPARK ARRESTER		4630		
REED (2 REQ'D) *	65U-13566	4430		
EXHAUST *	65U-14613	4650		
MUFFLER DAMPER #1	63M-14739	4455		
HEAD PIPE *	63M-14749	4460		
EXHAUST OUTER COVER (2 REQ'D)	63M-41114	4470		
EXHAUST INNER COVER	63M-41122	4480		
HEAD COVER *	63M-11193	4500		
FLYWHEEL COVER	63M-81365	4505		
OIL PUMP	63M-13116	4510		
SEALS				
FLYWHEEL	93103-32M01	2500		
PTO #1	93102-36M33	2511		
PTO #2	93101-36M46	2520		
SEAL KIT	ALL	2525K		
KITS				
1200 TOP KIT	ALL	4680K		
1200 COMPLETE KIT	ALL	4685K		
1200 COMPLETE KIT WITH SEALS	ALL	4690K		

* DENOTES ITEM IS INCLUDED IN TOP KIT

No. 4600 OEM. 65U-11181	No. 4610 Ultimate	No. 4615 OEM. 63M-11351	No. 5460 OEM. 63M-13556	No. 4620 OEM. 64X-14162
Head Stainless Steel 86MM .025	Head 86MM .047	Base	Carb Base (3 Required)	Carb Manifold

No. 4630	No. 4430 OEM. 65U-13566	No. 4650 OEM. 65U-14613	No. 4455 OEM. 63M-14739	No. 4460 OEM. 63M-14749
Spark Arrester	Reed	Exhaust	Muffler Damper #1	Head Pipe



WARNING: Cancer and Reproductive Harm www.P65Warnings.ca.gov

Yamaha 1200

No. 4470 OEM. 63M-41114	No. 4480 OEM. 63M-41122	No. 4500 OEM. 63M-11193	No. 4505 OEM. 63M-81365	No. 4510 OEM. 63M-13116
Exhaust Outer Cover (2 Required)	Exhaust Inner Cover	Head Cover	Flywheel Cover	Oil Pump

No. 2500 OEM. 93103-32M01	No. 2511 OEM. 93103-36M33	No. 2520 OEM. 93101-36M46	No. 2525K
Flywheel Oil Seal	PTO Oil Seal #1	PTO Oil Seal #2	Seal Kit

No. 4680K	No. 4685K	No. 4690K
1200 Top Kit	1200 Complete Kit	1200 Complete Kit W/ Seals

Yamaha 1200 XL LTD 99+ / GPR

DESCRIPTION	OEM PART#	OURPART#	DISTRIB.	DEALER
HEAD .025 STAINLESS STEEL *	66V-11181	3600		
HEAD COVER *	66V-11193	3610		
BASE (3 REQ'D) *	66E-11351	3420		
CARB BASE (3 REQ'D) *	66E-14398	3425		
CARB MANIFOLD *	66V-13556	3620		
REED	NOE **	3435		
REED CENTER	NOE **	3440		
POWER VALVE (3 REQ'D) *	66E-1131B-01	3470		
EXHAUST *	66V-14613	3650		
HEAD PIPE *	66V-14739	3660		
CHAMBER	66V-14749	3670		
OUTER COVER #1	66V-41114	3680		
OUTER COVER #2	66V-41124	3690		
TAIL CONE	66V-14623	3700		
STARTER O-RING	1FK-81847	3490		
OIL PUMP	63M-13116	2340		
SEALS				
FLYWHEEL	93102-35M57	3710		
PTO #1	93101-36M62	3505		
PTO #2	93101-36M61	3510		
SEAL KIT	ALL	3720K		
KITS				
1200 TOP KIT	ALL	3730K		
1200 COMPLETE KIT	ALL	3740K		
1200 COMPLETE KIT WITH SEALS	ALL	3750K		

* DENOTES ITEM IS INCLUDED IN TOP KIT

** NOT ORIGINAL EQUIPMENT

No. 3600 OEM. 66V-11181	No. 3610 OEM. 66V-11193	No. 3420 OEM. 66E-11351	No. 3425 OEM. 66E-14398
Head Stainless Steel .025	Head Cover	Base (3 Required)	Carb Base (3 Required)

No. 3620 OEM. 66V-13556	No. 3435 NOE	No. 3440 NOE	No. 3470 OEM. 66E-1131B-01
Carb Manifold	Reed	Reed Center	Power Valve (3 Required)

Yamaha 1200 XL LTD 99+ / GPR

No. 3650 OEM. 66V-14613	No. 3660 OEM. 66V-14739	No. 3670 OEM. 66V-14749	No. 3680 OEM. 66V-41114
Exhaust	Head Pipe	Chamber	Outer Cover #1

No. 3690 OEM. 66V-41124	No. 3700 OEM. 66V-14623	No. 3490 OEM. 1FK-81847	No. 2340 OEM. 63M-13116
Outer Cover #2	Tail Cone	Starter O-Ring	Oil Pump

No. 3710 OEM. 93102-35M57	No. 3505 OEM. 93101-36M62	No. 3510 OEM. 93101-36M61	No. 3720K
Flywheel Oil Seal	PTO Oil Seal #1	PTO Oil Seal #2	Seal Kit

No. 3730K	No. 3740K	No. 3750K
1200 Top Kit	1200 Complete Kit	1200 Complete Kit W/ Seals




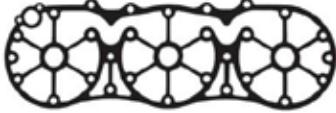


Cometic Gasket - An Exclusive NASCAR Performance Product


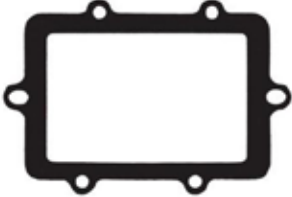


Yamaha 1300 GPR

DESCRIPTION	OEM PART #	OURPART#	DISTRIB.	DEALER
HEAD .025 STAINLESS STEEL *	66V-11181	3605		
HEAD COVER *	66V-11193	3610		
BASE (3 REQ'D) *	66E-11351	3420		
MANIFOLD *	66V-13556	3620		
REED	NOE **	3435		
REED CENTER	NOE **	3440		
POWER VALVE (3 REQ'D) *	66E-1131B-01	3470		
MANIFOLD GASKET	60T-13556-00	3622		
EXHAUST *	66V-14613	3650		
HEAD PIPE *	66V-14739	3660		
CHAMBER	66V-14749	3670		
OUTER COVER #1	66V-41114	3680		
OUTER COVER #2	66V-41124	3690		
TAIL CONE	66V-14623	3700		
STARTER O-RING	1FK-81847	3490		
OIL PUMP	63M-13116	2340		
SEALS				
FLYWHEEL	93102-35M57	3710		
PTO #1	93101-36M62	3505		
PTO #2	93101-36M61	3510		
SEAL KIT	ALL	3720K		
KITS				
1300 TOP KIT	ALL	3800K		
1300 COMPLETE KIT	ALL	3810K		
1300 COMPLETE KIT WITH SEALS	ALL	3820K		

* DENOTES ITEM IS INCLUDED IN TOP KIT

** NOT ORIGINAL EQUIPMENT

No. 3605 OEM. 66V-11181	No. 3610 OEM. 66V-11193	No. 3420 OEM. 66E-11351	No. 3620 OEM. 66V-13556
			
Head Stainless Steel .025	Head Cover	Base (3 Required)	Carb Manifold

No.3435 NOE	No.3440 NOE	No. 3470 OEM. 66E-1131B-01	No. 3650 OEM. 66V-14613
			
Reed	Reed Center	Power Valve (3 Required)	Exhaust

Yamaha 1300 GPR

No. 3660 OEM. 66V-14739	No. 3670 OEM. 66V-14749	No. 3680 OEM. 66V-41114	No. 3690 OEM. 66V-41124
Head Pipe	Chamber	Outer Cover #1	Outer Cover #2

No. 3700 OEM. 66V-14623	No. 3490 OEM. 1FK-81847	No. 2340 OEM. 63M-13116	No. 3622 OEM. 60T-13556-00
Tail Cone	Starter O-Ring	Oil Pump	MANIFOLD GASKET

No. 3710 OEM. 93102-35M57	No. 3505 OEM. 93101-36M62	No. 3510 OEM. 93101-36M61	No. 3720K
Flywheel Oil Seal	PTO Oil Seal #1	PTO Oil Seal #2	Seal Kit (All)

No. 3800K	No. 3810K	No. 3820K
1300 Top Kit	1300 Complete Kit	1300 Complete Kit W/ Seals



Cometic Gasket - An Exclusive NASCAR Performance Product

Yamaha 8100

DESCRIPTION	OEM PART #	OURPART#	DISTRIB.	DEALER
YAM FX140 HEAD GASKET	60E-11181-00-00	8102		
YAM FX HO, VX110 CYLINDER HEAD GASKET	6B6-11181-00-00	8215		

No. 8102 OEM. 60E-11181-00-00	No. 8215 OEM. 6B6-11181-00-00
Head Stainless Steel .025	Head Stainless Steel .025

DESCRIPTION	OEM PART #	OURPART#	DISTRIB.	DEALER
KITS				
YAM FX140 Complete Gasket Kit		8408K		
YAM FX HO Complete Gasket Kit		8410K		

No. 8408K OEM.	No. 8410K OEM.
YAM FX140 Complete Gasket Kit	YAM FX HO Complete Gasket Kit

Exhaust Pipe Gaskets

EXHAUST PIPE GASKETS	OURPART#	DISTRIB.	DEALER
COFFMAN PIPE			
KAWASAKI			
550 CLIMAX KIT	9020K		
750 SX ROCKET MOD HEADPIPE	9030		
750 SS, Xi, ST ROCKET HEADPIPE	7100A		
750 Xi (HURRICANE) HEADPIPE	7105		
FACTORY PIPE			
KAWASAKI			
550 LIMITED PIPE	9000K		
SEADOO			
520 / 650 / 720	9010		
785 SPEC 1	6156		
785 SPEC 2	6158		
YAMAHA			
HEAD PIPE ALL MODELS	5900		
RIVA			
YAMAHA			
WAVERAIDER HEADPIPE	9070		
SEE PIC. OTHERS	9060		
R&D RACING			
3 BOLT HEADPIPE ALL MODELS	9080		
4 BOLT HEADPIPE ALL MODELS	9090		

COFFMAN PIPE

No. 9020K Kawasaki	No. 9030 Kawasaki	No. 7100A Kawasaki	No. 7105 Kawasaki
550 Climax	Headpipe 750 SX Rocket Mod	Headpipe 750 SS, Xi, ST Rocket	Headpipe 750 Xi (Hurricane)

Exhaust Pipe Gaskets

FACTORY PIPE

No. 9000K Kawasaki	No. 9010 Seadoo	No. 6156 Seadoo	No. 6158 Seadoo	No. 5900 Yamaha
550 Limited Pipe	520 / 650 / 720	785 Spec 1	785 Spec 2	Headpipe All Models

RIVA

No. 9070 Yamaha	No. 9060 Yamaha
Waveraider Headpipe	All Others

No. 9080	No. 9090
3 Bolt Headpipe All Models	4 Bolt Headpipe All Models



Cometic Gasket - An Exclusive NASCAR Performance Product

Carb Gaskets

	DESCRIPTION	OURPART#	DISTRIB.	DEALER
KEIHIN 38 MM	ULTIMATE	9200		
KEIHIN 40 MM	ULTIMATE	9205		
KEIHIN 42 MM	BLACK	9210		
KEIHIN 42 MM	ULTIMATE	9220		
MIKUNI 38 MM	ULTIMATE	9230		
MIKUNI 41 MM	ULTIMATE	9235		
MIKUNI 44 MM	ULTIMATE	9240		
MIKUNI 46 MM	BLACK	9245		
MIKUNI 46 MM	ULTIMATE	9250		
MIKUNI 48 MM	ULTIMATE	9252		
MIKUNI 50 MM	ULTIMATE	9257		



Carb Rebuild Kits

	DESCRIPTION	OURPART#	DISTRIB.	DEALER
MIKUNI BN	KIT	9260K		
MIKUNI SUPER BN	KIT	9262K		
MIKUNI SUPER BNI	KIT	9268K		
KEIHIN 28 MM	KIT	9264K		
KEIHIN 38-42 MM	KIT	9266K		

No. 9260	No. 9262	No. 9268	No. 9264	No. 9266
Mikuni BN	Mikuni Super BN	Mikuni Super BNI	Keihin 28MM	Keihin 38-44MM

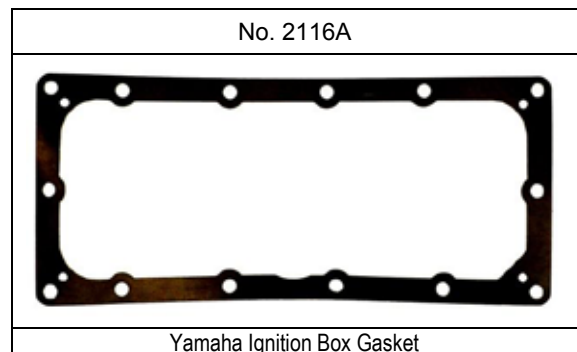
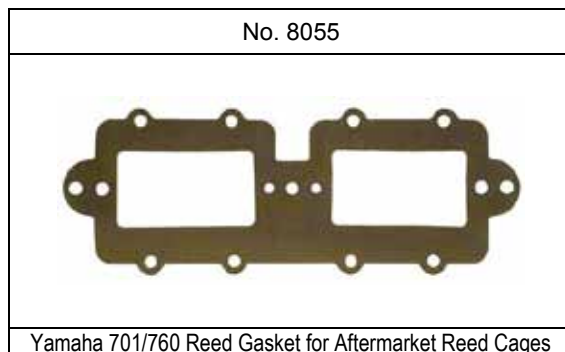
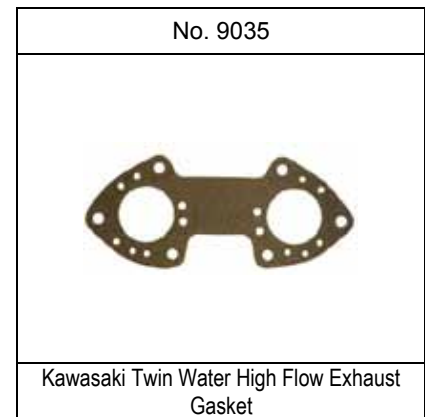
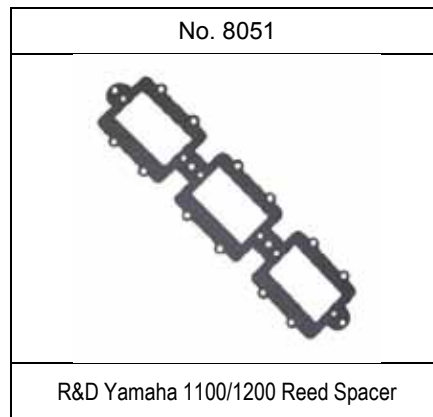
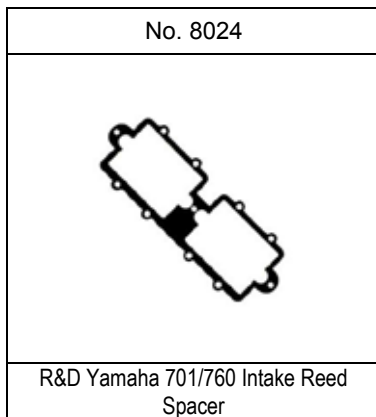
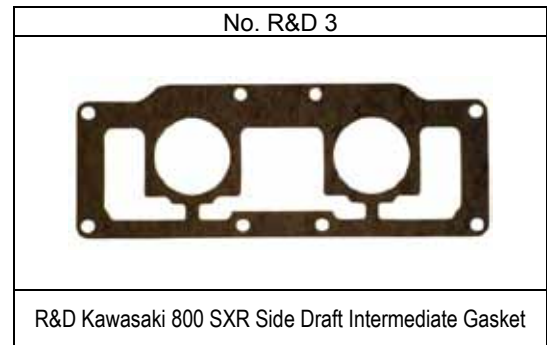
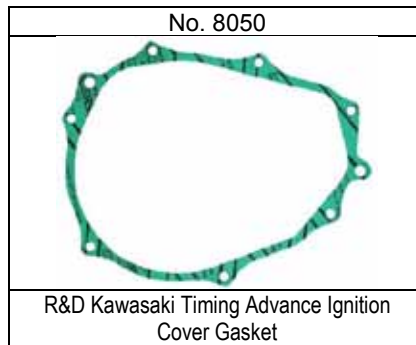
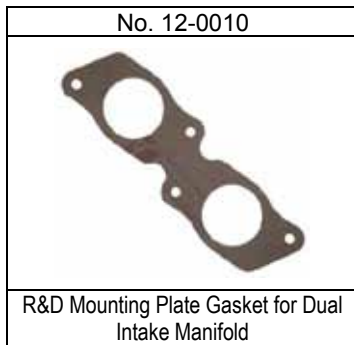
CUSTOM MISC. RACE GASKETS

Gasket Technology makes gaskets for nearly every OEM manufacturer in the Personal Watercraft and Outboard Motor Industry including many of the leading aftermarket companies, factory teams and performance shops.

Custom thicknesses and material available on request; additional charge to offset material cost may be applied.

Custom-design gaskets can be produced with a one-time re-tooling fee.

EXTENDED DESCRIPTION	OEM PART #	OURPART#	DISTRIBUTOR	DEALER
R&D Mounting Plate Gasket for Dual Intake Manifold		12-0010		
R&D Kawasaki Timing Advance Ignition Cover Gasket		8050		
R&D Kawasaki 800 SXR Side Draft Intermediate Gasket		R&D3		
R&D Yamaha 701/760 Intake Reed Spacer		8024		
R&D Yamaha 1100/1200 Reed Spacer		8051		
Kawasaki Twin Water High Flow Exhaust Gasket		9035		
Yamaha 701/760 Reed Gasket for Aftermarket Reed Cages		8055		
Yamaha Ignition Box Gasket		2116A		





Cometic Gasket - An Exclusive NASCAR Performance Product

CUSTOM BASE GASKETS

FIBER W/ METAL CORE

DESCRIPTION	PART #	DISTRIB.	DEALER
KAWASAKI 300			
BASE	AVAILABLE BY CUSTOM ORDER		
KAWASAKI 440 ALL			
550 PRE 1991	N/A		
550SX 1991-95	N/A		
KAWASAKI 650			
BASE .025	5850.025		
BASE .030	5850.030		
BASE .040	5850.040		
BASE .050	5850.050		
BASE .060	5850.060		
KAWASAKI 750/800			
BASE .002 COPPER	7040.002		
BASE .003 COPPER	7040.003		
BASE .005 COPPER	7040.005		
BASE .025	7040.025		
BASE .030	7040.030		
BASE .040	7040.040		
BASE .050	7040.050		
BASE .060	7040.060		
KAWASAKI 900			
BASE .025	7420.025		
BASE .030	7420.030		
BASE .040	7420.040		
BASE .050	7420.050		
BASE .060	7420.060		
KAWASAKI 1100			
BASE .025	7615.025		
BASE .030	7615.030		
BASE .040	7615.040		
BASE .050	7615.050		
BASE .060	7615.060		
KAWASAKI ULTRA 150			
BASE .025	7715.025		
BASE .030	7715.030		
BASE .040	7715.040		
BASE .050	7715.050		
BASE .060	7715.060		
POLARIS			
650 / 750 / 780 / 785			
BASE .025	4040.025		
BASE .030	4040.030		
BASE .040	4040.040		
BASE .050	4040.050		

DESCRIPTION	PART#	DISTRIB.	DEALER
POLARIS 700 / 777 / 900			
BASE .025	4315.025		
BASE .030	4315.030		
BASE .040	4315.040		
BASE .050	4315.050		
BASE .060	4315.060		
POLARIS 1050 / 1200			
BASE .025	4316.025		
BASE .030	4316.030		
BASE .040	4316.040		
BASE .050	4316.050		
BASE .060	4316.060		
SEADOO 580 PRE 1992			
BASE .025	6000.025		
BASE .030	6000.030		
BASE .040	6000.040		
BASE .050	6000.050		
BASE .060	6000.060		
SEADOO 580/650 1992+			
BASE .025	6020.025		
BASE .030	6020.030		
BASE .040	6020.040		
BASE .050	6020.050		
BASE .060	6020.060		
SEADOO 720			
BASE .025	6025.025		
BASE .030	6025.030		
BASE .040	6025.040		
BASE .050	6025.050		
BASE .060	6025.060		
SEADOO 785			
BASE .025	6035.025		
BASE .030	6035.030		
BASE .040	6035.040		
BASE .050	6035.050		
BASE .060	6035.060		
SEADOO 951 SILVER MOTOR			
BASE .025	6732.025		
BASE .030	6732.030		
BASE .040	6732.040		
BASE .050	6732.050		
BASE .060	6732.060		





Klotz Synthetic Lubricants are designed and engineered to be the best lubricants in the motorsports industry. Formulated for all engine types, Klotz offers a full line of Estorlin Synthetic Racing Oils, Power Additives, and Aerosols needed to keep you engine protected and performing at an optimal level.

For more information, Tech Sheets, or MSDS Sheets please visit www.klotzlube.com



4-STROKE LUBRICANTS

PURE ESTORLIN® MARINE 4-STROKE I/O SYNTHETIC LUBRICANT

- Designed for all outboard, inboard and I/O four stroke engines
- NMMA, FC-W & FC-W CAT compliant
- Certified for complete warranty compliance and protection
- Provides performance advantages for leading outboard, inboard and I/O engine manufacturers including: Mercruiser, Indmar, PCM, Volvo Penta, Mercury, Yamaha, Johnson, Evinrude, Honda, Suzuki, Nissan and Tohatsu.

Part #	Desc.
KE-330.....	10W/30 1 qt.
KE-331.....	10W/30 1 gal.
KE-340.....	25W/40 1 qt.
KE-341.....	25W/40 1 gal.

SKICRAFT® X4™

- Certified warranty compliant
- Improved throttle response
- Increases RPMs
- Provides long-lasting protection and performance
- Recommended for Honda (2009 and older), Kawasaki, Sea-Doo and Yamaha personal watercrafts

Part #	Desc.
KL-810.....	10W40 1 qt.

ADDITIVES & AEROSOLS



2-STROKE LUBRICANTS

OUTBOARD TECHNIPLATE®

- TC-W3 certified warranty compliant
- Perfect for new generation of 2-stroke injection and E-injection outboard motors
- Blends with gasoline
- Recommended for Evinrude, Honda, Mercury, Suzuki and Yamaha outboards

Part #	Desc.
KL-332.....	1 qt.
KL-333.....	1 gal.

SKICRAFT®TECHNIPLATE®

- TC-W3 certified warranty compliant
- Improved throttle response, increased RPMs
- Premix or oil injection
- Blends with gasoline
- Recommended for Honda (2009 and older), Kawasaki, Sea-Doo and Yamaha personal water

Part #	Desc.
KL-306.....	1 qt.
KL-307.....	1 gal.

	Part #	Desc.
Assembly Lube	KL-311-1	12oz.
Fogon - Storage & Afterrun Lubricant.....	KL-612-1	6oz.
	KL-610-1	16oz.
Plug & Contact Cleaner.....	KL-609-1	12.5oz
Ethanol Gasoline Fazeseparation Treatment	KL-603-1	16oz.
	KL-623-1	1gal.
Storbilizer.....	KL-613-1	16oz.
	KL-633-1	1gal.
Cometic Engine Block & Head Surface Cleaner	C1047-1.....	15.25oz.

WARRANTY DISCLAIMER*

Due to the nature of performance applications, the parts in this catalog are sold without any express warranty or any implied warranty of merchantability or fitness for a particular purpose. Cometic Gasket Inc. shall not, under any circumstances, be liable for any special, incidental or consequential damages, including, person, party or property, but not limited to, damage, or loss of property or equipment, loss of profits or revenue, cost of purchased or replacement goods, or claims of customers of the purchase, which may arise and/or result from sale, installation or use of these parts. Installation of these parts could adversely affect the motor manufacturers warranty coverage.

VENUE-The agreed upon venue, in the event of any dispute whatsoever between the parties, whether instituted by either party, including, but not limited to, contract terms, payment terms, delivery, type, defects, sufficiency of product, shall be the Court of Common Pleas, Lake County, Ohio or the Painesville Municipal Court, Lake County, Ohio, depending on the amount in controversy.

This agreement shall be governed by and construed under the laws of the State of Ohio.

All prices and terms are subject to change without notice.

Terms Open accounts may be established by well rated firms. A credit application is available upon request. Open accounts are due payable Net 30 days from date of invoice. No statement will be sent. If an account becomes 60 or more days past due, it is subject to being placed on credit hold. No orders will be shipped or new orders accepted until past due balance is paid. If an account becomes 90 or more days past due, it is subject to being placed for collections. All costs of collection are the responsibility of the customer, including attorney fees, court costs, and other expenses of litigation.

Returns- Authorization (RGA) must be obtained in advance on all returns. A packing slip or invoice number must accompany the merchandise. No returns after 30 days from invoice date. All returns are subject to a 25% restocking charge. All custom designed and custom manufactured gaskets are non-returnable. Only catalog parts are returnable. Review your invoice and notify us immediately of any incorrect or inaccurate information. Shortages must be reported within 10 days.



WARNING: Cancer and Reproductive Harm www.P65Warnings.ca.gov

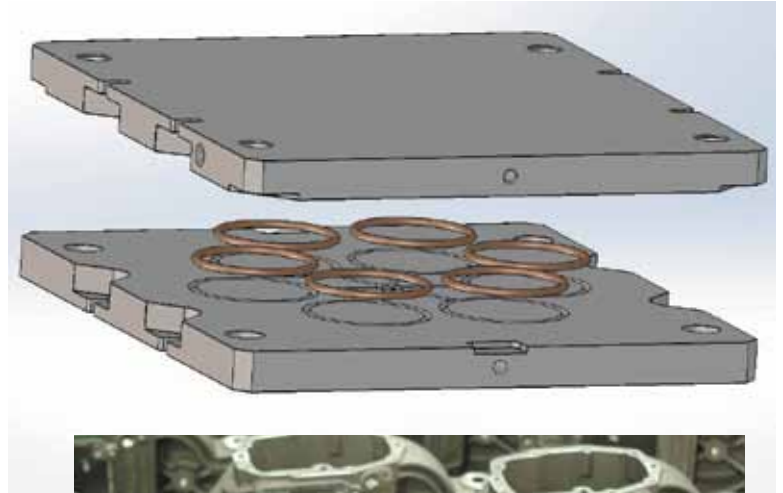


Made in the U.S.A.

OEM Production

One Source for Prototyping to Full Production

- Prototyping with economical tooling options.
- Full production Capabilities
- Quick turnaround
- In-house tool & die capabilities
- ISO 9001:2008 Certified
- We can assist in developing a sealing solution for nearly any environment.
- Personal attention by our dedicated staff. We currently supply production to many customers in the automotive, marine, powersports, industrial, and power generator industries.
- Stamping, Laser Cutting, Rubber Injection Molding and 5 Axis Machining



Flexibility is Key

We understand many variables go into determining design, volume, and production forecasts. We are accustomed to working in an ever changing environment.

Maintain knowledge base and part awareness during the transition from the early stages of development all the way through production, without the hassle of changing suppliers.

Inventory turns are important. We can work together for a delivery solution that best fits your inventory level and cash flow needs.



Call our Engineering Team today @ (440) 354-0777 for a quote



WARNING: Cancer and Reproductive Harm www.P65Warnings.ca.gov



Contact Us

Order Toll Free By Calling (800) 752-9850

Cometic Gasket, Inc.
8090 Auburn Road
Concord, OH 44077

For Technical Assistance Call (440) 354-0777
Fax (440) 354-0350
email info@cometic.com
web www.cometic.com

Method of Payment Mastercard/VISA

Ship Via UPS Next Day Air / 2nd Day Air / Regular Ground / 3 Day Ground Service

facebook.com/cometic

@CometicGasket

Cometic Partners



Cometic Gasket, Inc. - An Exclusive NASCAR® Performance Product



The NASCAR® Performance logo and word mark are used under license by the National Association for Stock Car Auto Racing, Inc.

Copyright® 2020 Cometic Gasket, Inc.

Cover photo courtesy of: © 2019 Harold Hinson Photography, Heath Lawson, Christian Marsh

AB20
Printed in China



California, Proposition 65 Warning. The state of California has determined that certain chemicals used in the manufacture of this product have been known to cause cancer and birth defects. For more information, visit www.p65Warnings.ca.gov

